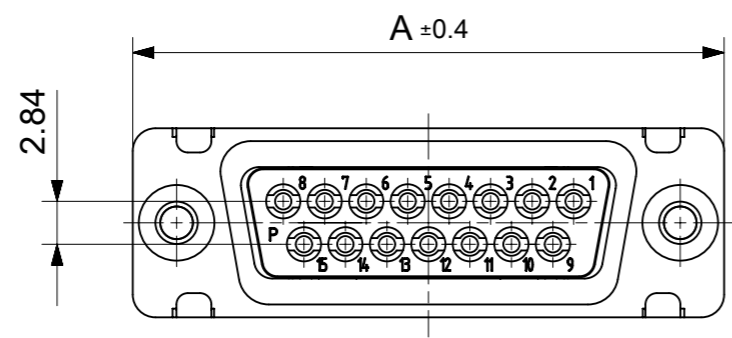
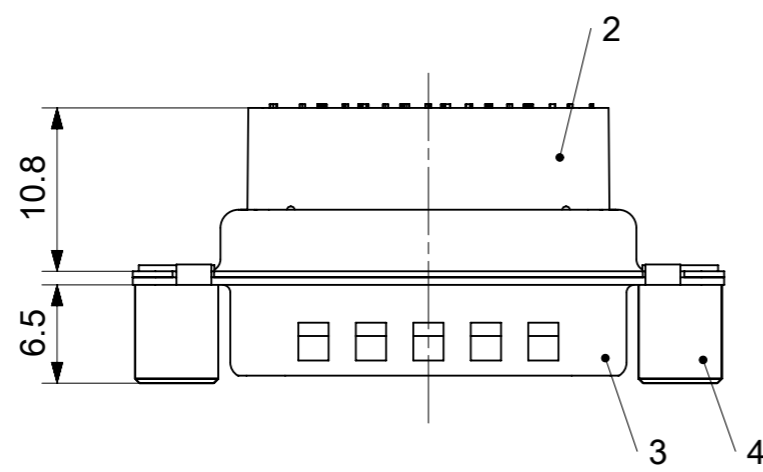
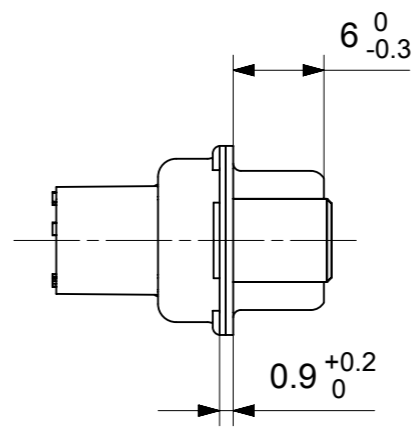
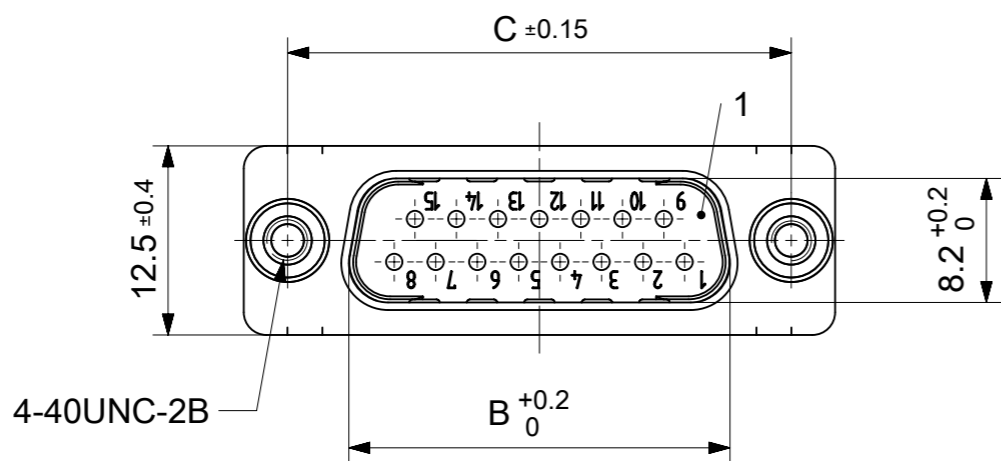


RoHS compliant  
by exemption



FCT Part number:  
FLxx\*1)P7-1407  
e.g. FL15P7-1407  
\*1) xx No. of contacts 09, 15, 25 or 37

Material Number	xx*1)	A[mm]	B[mm]	C[mm]
1731092154	09	30.8	16.9	25
1731092508	15	39.1	25.2	33.3
-	25	53	38.9	47.04
-	37	69.3	55.3	63.5

Crimp contacts not supplied with connector.  
Contacts must be ordered separately.

No.	Pc.	Part	Type Description/Material	Surface plating/Color/Class
4	2	Threaded spacer	4-40 / Steel	tin plated
3	1	Shell	Brass (nonmagnetic)	tin plated
2	1	Insulator rear part	PA (-55°C to +115°C)	black
1	1	Insulator front part	PBT acc. UL94V-0	black

MEASUREMENTS WITHOUT TOLERANCE ACC TO ISO 2768-m			REPLACEMENT FOR DOCUMENT NUMBER: FyxxP7-1407		
FUNCTIONAL SYMBOLS					
$\nabla_A = 0$	THIS DRAWING CONTAINS INFORMATION THAT IS PROPRIETARY TO MOLEX ELECTRONIC TECHNOLOGIES, LLC AND SHOULD NOT BE USED WITHOUT WRITTEN PERMISSION	SCALE	CURRENT REV DESC:		
$\nabla_E = 0$	GENERAL TOLERANCES (UNLESS SPECIFIED)	mm	2:1	EC NO: 717924	
$\nabla_P = 0$	ANGULAR TOL	±	°	DRWN: SKANDB 2022/04/04	
DIVISIONAL SYMBOLS		4 PLACES	±	CHK'D: MTEUBEL 2022/08/18	
		3 PLACES	±	APPR: MTEUBEL 2022/08/18	
		2 PLACES	±	INITIAL REVISION:	
		1 PLACE	±	DRWN: SKANDB 2022/04/04	
		0 PLACES	±	APPR: MTEUBEL 2022/08/18	
DRAFT WHERE APPLICABLE MUST REMAIN WITHIN DIMENSIONS		FIRST ANGLE PROJECTION	DRAWING	SERIES	DOCUMENT NUMBER
			A3-SIZE	173109	1731092154
					DOC TYPE DOC PART REVISION
					PSD 000 A
					MATERIAL NUMBER CUSTOMER SHEET NUMBER
					SEE TABLE GENERAL MARKET 1 OF 1