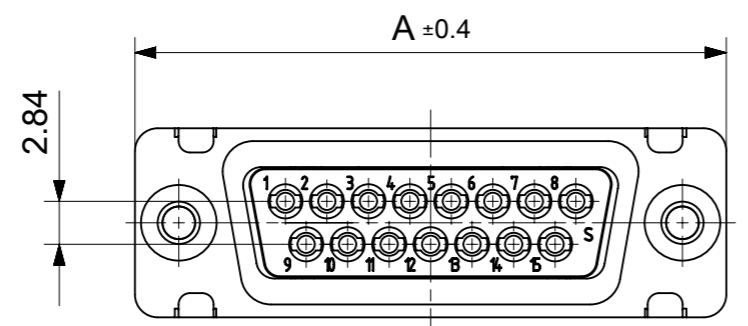
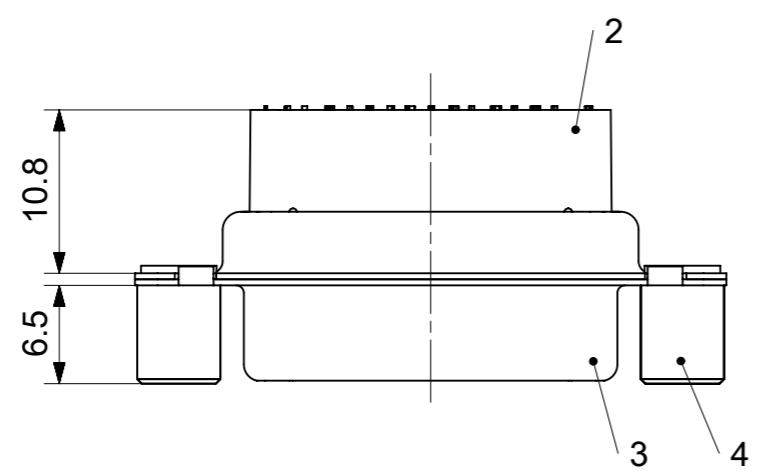
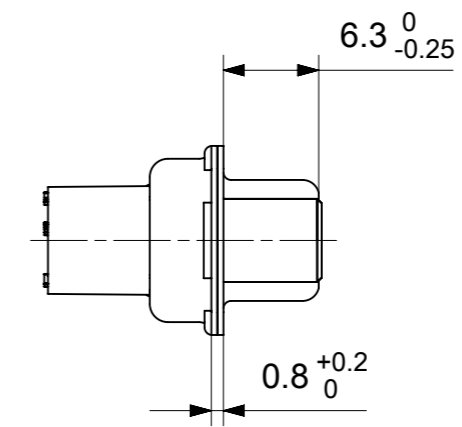
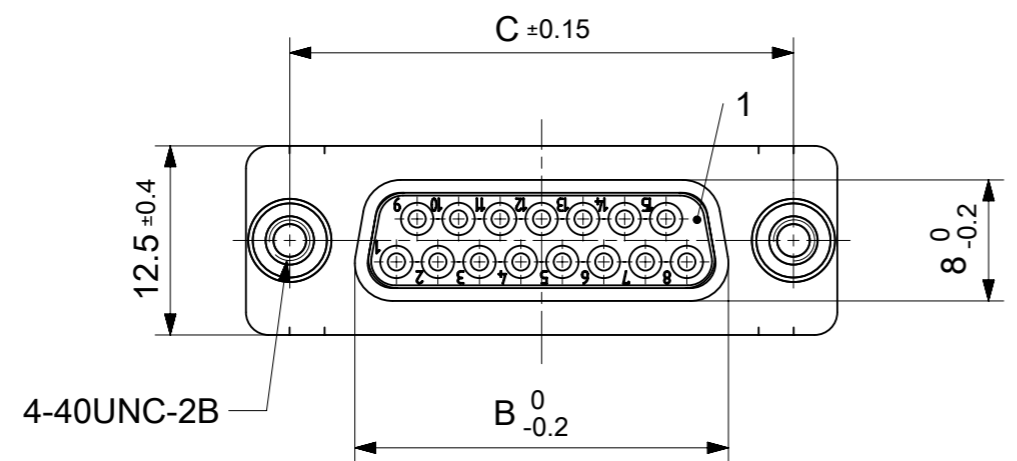


RoHS compliant  
by exemption



FCT Part number:  
FLxx\*1)S7-1407  
e.g. FL15S7-1407

\*1) xx No. of contacts 09, 15, 25 or 37

Material Number	xx*1)	A[mm]	B[mm]	C[mm]
1731091939	09	30.8	16.4	25
-	15	39.1	24.7	33.3
-	25	53	38.5	47.04
-	37	69.3	54.9	63.5

Crimp contacts not supplied with connector.  
Contacts must be ordered separately.

No.	Pc.	Part	Type Description/Material	Surface plating/ Color/Class
4	2	Threaded spacer	4-40 / Steel	tin plated
3	1	Shell	Steel	tin plated
2	1	Insulator rear part	PA (-55°C to +115°C)	black
1	1	Insulator front part	PBT acc. UL94V-0	black

MEASUREMENTS WITHOUT TOLERANCE ACC TO ISO 2768-m

REPLACEMENT FOR DOCUMENT NUMBER: FyxxS7-1407

FUNCTIONAL SYMBOLS: THIS DRAWING CONTAINS INFORMATION THAT IS PROPRIETARY TO MOLEX ELECTRONIC TECHNOLOGIES, LLC AND SHOULD NOT BE USED WITHOUT WRITTEN PERMISSION

FUNCTIONAL SYMBOLS: DIMENSION UNITS: mm, SCALE: 2:1

GENERAL TOLERANCES (UNLESS SPECIFIED): ANGULAR TOL ± °

DIVISIONAL SYMBOLS: 4 PLACES ±, 3 PLACES ±, 2 PLACES ±, 1 PLACE ±, 0 PLACES ±

EC NO: 717924  
DRWN: SKANDB 2022/03/22  
CHK'D: MTEUBEL 2022/08/18  
APPR: MTEUBEL 2022/08/18

INITIAL REVISION:  
DRWN: SKANDB 2022/03/22  
APPR: MTEUBEL 2022/08/18

DOCUMENT NUMBER: 1731091939  
DOC TYPE: PSD  
DOC PART: 000  
REVISION: A

DRAFT WHERE APPLICABLE MUST REMAIN WITHIN DIMENSIONS

FIRST ANGLE PROJECTION

DRAWING: A3-SIZE  
SERIES: 173109  
MATERIAL NUMBER: SEE TABLE  
CUSTOMER: GENERAL MARKET  
SHEET NUMBER: 1 OF 1

**molex**

FCT D-SUB CRIMP CONNECTOR

PRODUCT CUSTOMER DRAWING