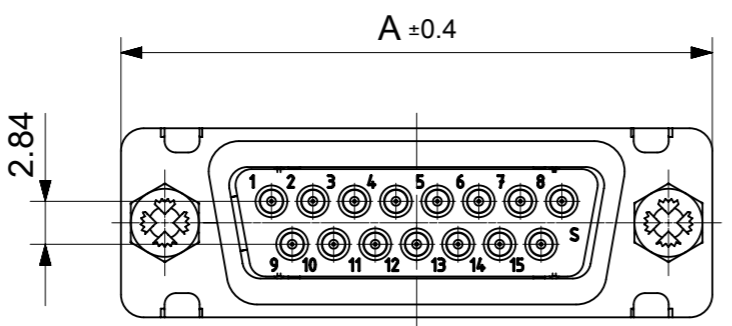
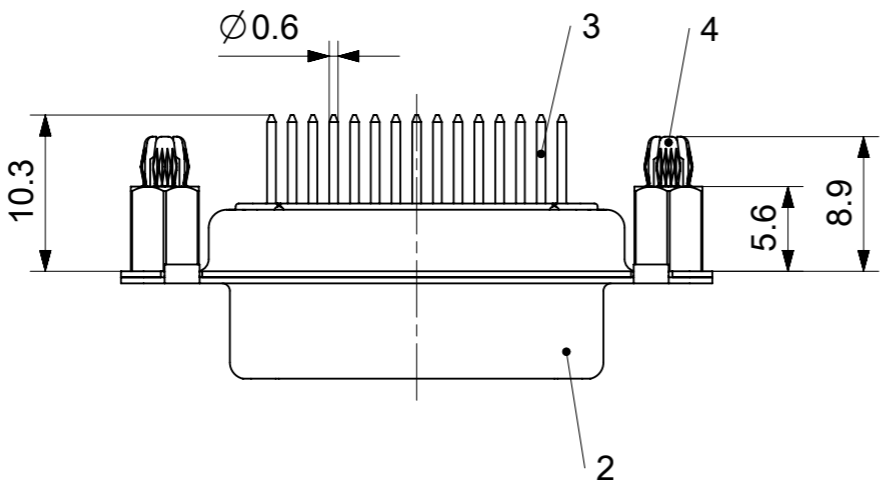
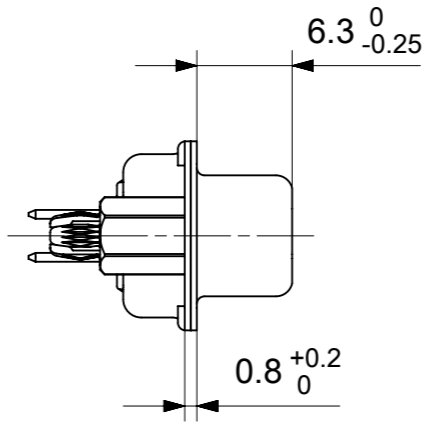
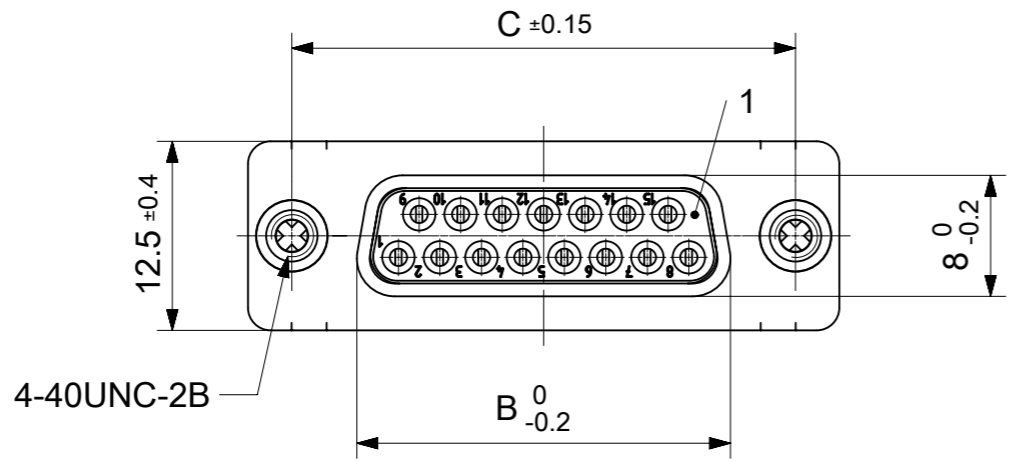


RoHS compliant
by exemption



FCT Part number:

FHxx*1)S1y*2)-0981

e.g. FH15S1G1-0981

*1) xx No. of contacts 09, 15, 25 or 37

*2) y for performance classes 1, 2 or 3

(contact cycle for G1/G2/G3 = 500/200/50)

| Material Number | xx*1) | y*2) | A[mm] | B[mm] | C[mm] | *E[mm] | *F[mm] |
|-----------------|-------|------|-------|-------|-------|--------|--------|
| 1731091653 | 09 | G1 | 30.8 | 16.4 | 25 | Ø1 | Ø3 |
| 1731091656 | | G2 | | | | | |
| 1731091666 | 15 | G2 | 39.1 | 24.7 | 33.3 | | |
| 1731091673 | 25 | G1 | 53 | 38.5 | 47.04 | | |
| 1731091674 | | G2 | | | | | |
| 1731092254 | 37 | G2 | 69.3 | 54.9 | 63.5 | | |

*PCB hole patterns ØE, ØF see document 2195600023

| No. | Pc. | Part | Type Description/Material | Surface plating/Color/Class |
|-----|-----|----------------|---------------------------|-----------------------------|
| 4 | 2 | Snap-in bolt | PCB 1.6mm / Brass | tin plated |
| 3 | xx | Signal contact | S1 / Brass | G1 / G2 |
| 2 | 1 | Shell | Steel | tin plated |
| 1 | 1 | Insulator | PCT (-55°C to +150°C) | natural |

MEASUREMENTS WITHOUT TOLERANCE ACC TO ISO 2768-m
REPLACEMENT FOR DOCUMENT NUMBER: FHxxS1Gy-0981

| FUNCTIONAL SYMBOLS | THIS DRAWING CONTAINS INFORMATION THAT IS PROPRIETARY TO MOLEX ELECTRONIC TECHNOLOGIES, LLC AND SHOULD NOT BE USED WITHOUT WRITTEN PERMISSION | CURRENT REV DESC: | | molex | | | | |
|---------------------------------------|---|-------------------|------------------------|--------------------------|----|-----|---------------|--|
| | <table border="1"> <tr> <th>DIMENSION UNITS</th> <th>SCALE</th> </tr> <tr> <td>mm</td> <td>2:1</td> </tr> </table> | DIMENSION UNITS | SCALE | | mm | 2:1 | EC NO: 708549 | |
| | DIMENSION UNITS | SCALE | | | | | | |
| | mm | 2:1 | | | | | | |
| GENERAL TOLERANCES (UNLESS SPECIFIED) | | DRWN: SUGEEB | 2021/12/02 | | | | | |
| ANGULAR TOL ± ° | | CHK'D: MTEUBEL | 2022/05/30 | | | | | |
| DIVISIONAL SYMBOLS | 4 PLACES ± | APPR: MTEUBEL | 2022/05/30 | PRODUCT CUSTOMER DRAWING | | | | |
| | 3 PLACES ± | INITIAL REVISION: | | | | | | |
| | 2 PLACES ± | DRWN: SUGEEB | 2021/12/02 | DOCUMENT NUMBER | | | | |
| | 1 PLACE ± | APPR: MTEUBEL | 2022/05/30 | DOC TYPE | | | | |
| 0 PLACES ± | DRAFT WHERE APPLICABLE MUST REMAIN WITHIN DIMENSIONS | | FIRST ANGLE PROJECTION | DRAWING | | | | |
| DRAWING | | SERIES | MATERIAL NUMBER | CUSTOMER | | | | |
| A3-SIZE | | 173109 | SEE TABLE | GENERAL MARKET | | | | |
| SHEET NUMBER | | 1 OF 1 | | | | | | |



øE, øF see data sheet incl. connector
øF connectors with accessories only

| | | | | | | | | |
|---|---------------------------------------|------------------------|---|--------|-----------------|---|--|--|
| MEASUREMENTS WITHOUT TOLERANCE ACC TO ISO 2768-m | | | REPLACEMENT FOR DOCUMENT NUMBER: AM0023 | | | | | |
| THIS DRAWING CONTAINS INFORMATION THAT IS PROPRIETARY TO MOLEX ELECTRONIC TECHNOLOGIES, LLC AND SHOULD NOT BE USED WITHOUT WRITTEN PERMISSION | | | | | | | | |
| FUNCTIONAL SYMBOLS | DIMENSION UNITS | SCALE | CURRENT REV DESC: | | | | | |
| $\nabla_A = 0$ | mm | 2:1 | EC NO: 713905 DRWN: SKANDB 2022/05/16 CHK'D: MTEUBEL 2022/07/12 APPR: MTEUBEL 2022/07/12 INITIAL REVISION: DRWN: SKANDB 2022/05/16 APPR: MTEUBEL 2022/07/12 | | | | | |
| $\nabla_E = 0$ | GENERAL TOLERANCES (UNLESS SPECIFIED) | | | | | molex FCT PCB HOLE PATTERN STRAIGHT CONTACT NO. OF CONTACTS 09-37 | | |
| $\nabla_P = 0$ | ANGULAR TOL ± ° | | | | | PRODUCT CUSTOMER DRAWING DOCUMENT NUMBER: 2195600023 DOC TYPE: PSD DOC PART: 000 REVISION: A | | |
| DIVISIONAL SYMBOLS | 4 PLACES ± | | | | | MATERIAL NUMBER: 219560 CUSTOMER: GENERAL MARKET SHEET NUMBER: 1 OF 1 | | |
| | 3 PLACES ± | | | | | | | |
| | 2 PLACES ± | | | | | | | |
| | 1 PLACE ± | | | | | | | |
| | 0 PLACES ± | | | | | | | |
| DRAFT WHERE APPLICABLE MUST REMAIN WITHIN DIMENSIONS | | FIRST ANGLE PROJECTION | DRAWING | SERIES | MATERIAL NUMBER | CUSTOMER | | |
| | | | A3-SIZE | 219560 | 219560 | GENERAL MARKET | | |