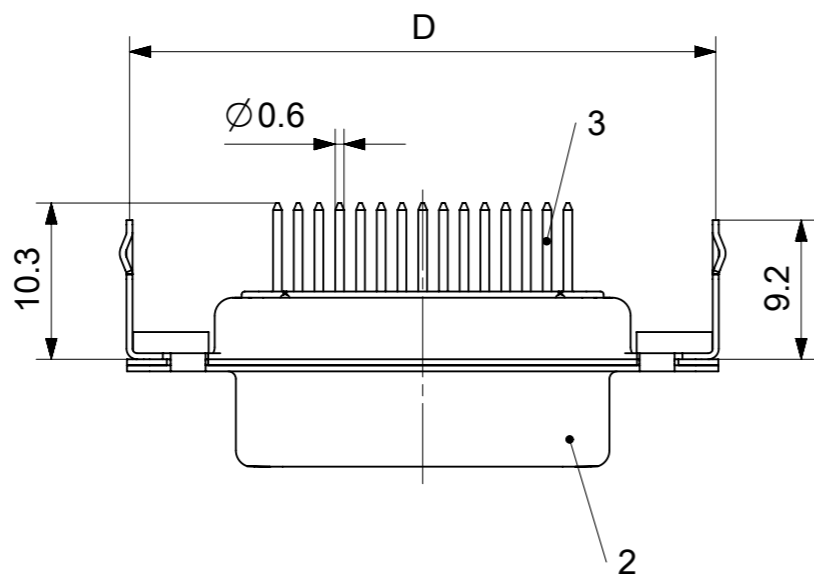


RoHS compliant  
by exemption



FCT Part number:

FHxx\*1)S1G3-1056

e.g. FH15S1G3-1056

\*1) xx No. of contacts 09, 15, 25 or 37

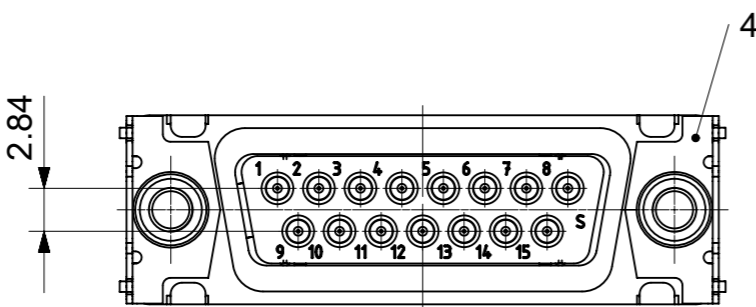
\*2) y for performance classes 1, 2 or 3

(contact cycle for G1/G2/G3 = 500/200/50)

Material Number	xx*1)	y*2)	A[mm]	B[mm]	C[mm]	D[mm]
1731091657	09	G3	30.8	16.4	25	30.46
1731092659	15	G3	39.1	24.7	33.3	38.76
-	25	-	53	38.5	47.04	52.5
-	37	-	69.3	54.9	63.5	68.96

\*PCB hole patterns see document 2195600062

No.	Pc.	Part	Type Description/Material	Surface plating/Color/Class
6	2	Rivet ring	Brass	tin plated
5	2	Clinch nut	MW M3 / Brass	tin plated
4	2	Latch lock	Steel	tin plated
3	xx	Signal contact	S1 / Brass	G3
2	1	Shell	Steel	tin plated
1	1	Insulator	PCT (-55°C to +150°C)	natural



MEASUREMENTS WITHOUT TOLERANCE ACC TO ISO 2768-m

REPLACEMENT FOR DOCUMENT NUMBER: FHxxS1Gy-1056

FUNCTIONAL SYMBOLS: THIS DRAWING CONTAINS INFORMATION THAT IS PROPRIETARY TO MOLEX ELECTRONIC TECHNOLOGIES, LLC AND SHOULD NOT BE USED WITHOUT WRITTEN PERMISSION

SCALE: 2:1

GENERAL TOLERANCES (UNLESS SPECIFIED):

ANGULAR TOL ± °

4 PLACES ±

3 PLACES ±

2 PLACES ±

1 PLACE ±

0 PLACES ±

DIVISIONAL SYMBOLS:

DRAFT WHERE APPLICABLE MUST REMAIN WITHIN DIMENSIONS

FIRST ANGLE PROJECTION

DRAWING: A3-SIZE

SERIES: 173109

MATERIAL NUMBER: SEE TABLE

CUSTOMER: GENERAL MARKET

SHEET NUMBER: 1 OF 1

EC NO: 707726

DRWN: SUGEEB 2021/12/02

CHK'D: MTEUBEL 2022/05/25

APPR: MTEUBEL 2022/05/25

INITIAL REVISION:

DRWN: SUGEEB 2021/12/02

APPR: MTEUBEL 2022/05/25

DOCUMENT NUMBER: 1731091657

DOC TYPE: PSD

DOC PART: 000

REVISION: A

**molex**

FCT D-SUB MINIATURE CONNECTOR

PRODUCT CUSTOMER DRAWING