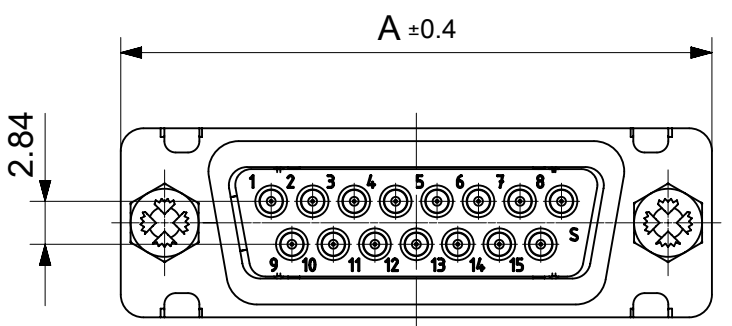
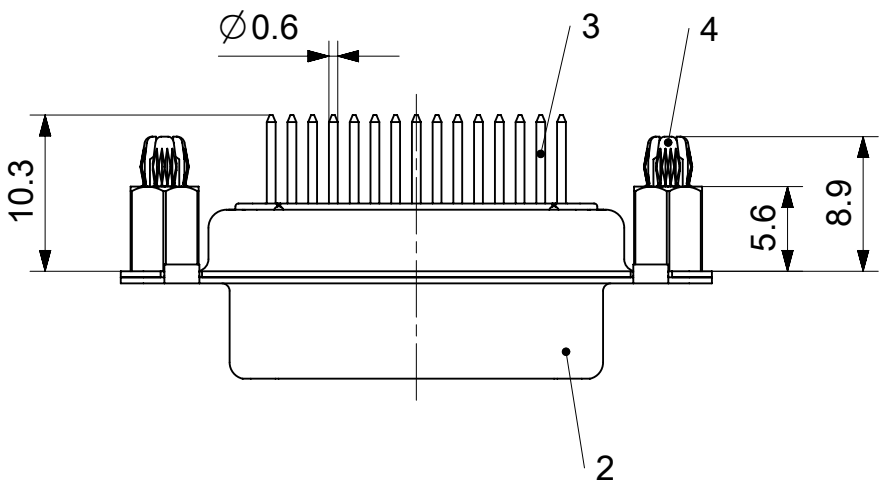
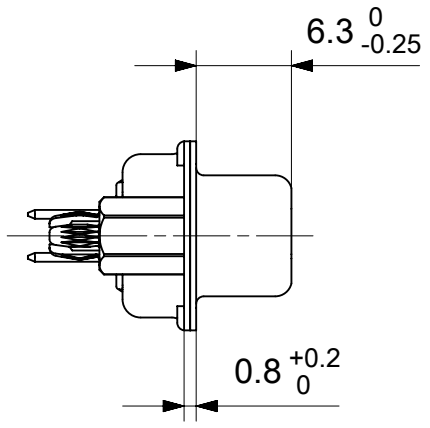
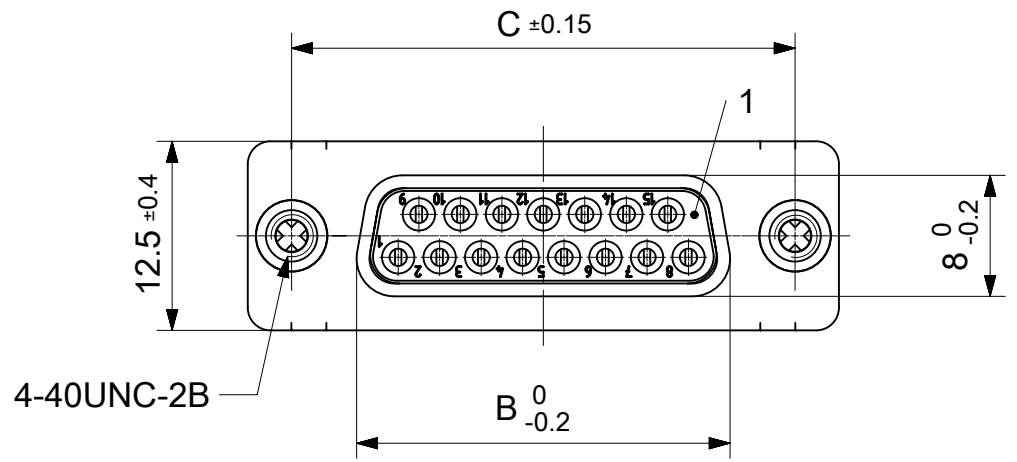


RoHS compliant  
by exemption



FCT Part number:  
**FHxx\*1)S1y\*2)-0981**  
 e.g. FH15S1G1-0981  
 \*1) xx No. of contacts 09, 15, 25 or 37  
 \*2) y for performance classes 1, 2 or 3  
 (contact cycle for G1/G2/G3 = 500/200/50)

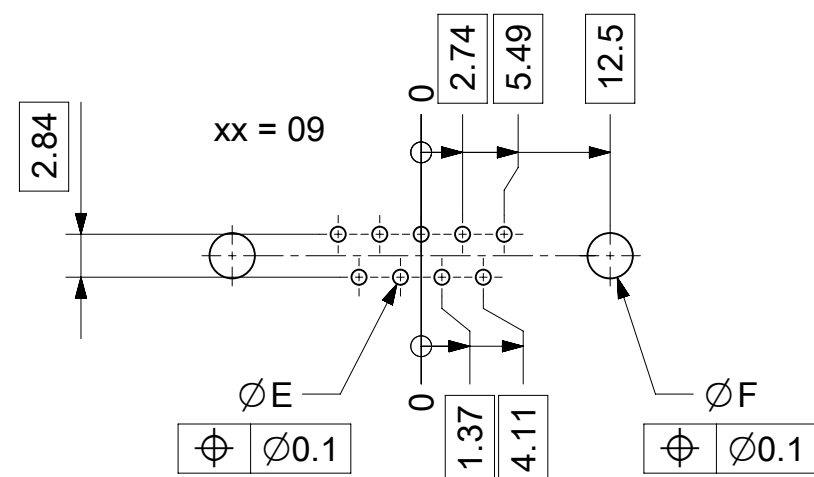
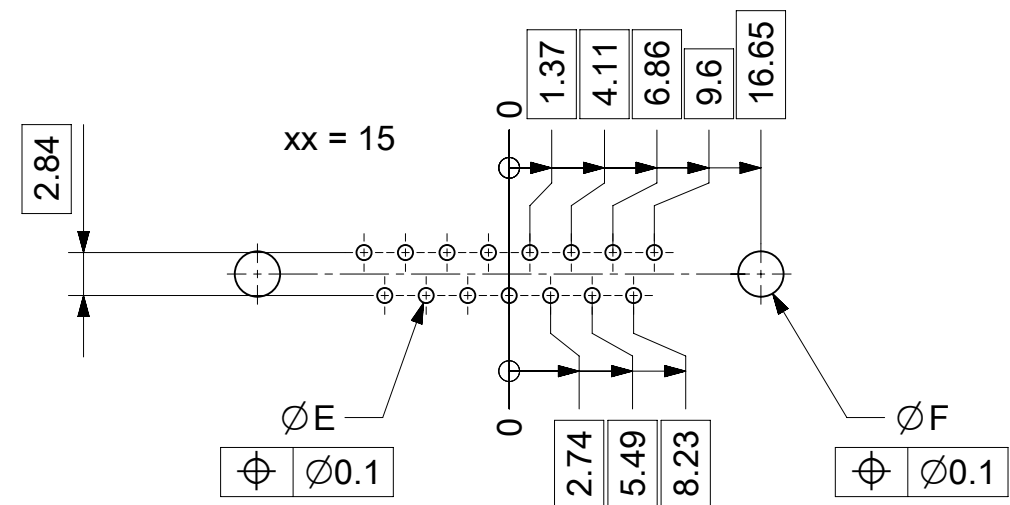
Material Number	xx*1)	y*2)	A[mm]	B[mm]	C[mm]	*E[mm]	*F[mm]
1731091653	09	G1	30.8	16.4	25	Ø1	Ø3
1731091656		G2					
1731091666	15	G2	39.1	24.7	33.3		
1731091673	25	G1	53	38.5	47.04		
1731091674		G2					
1731092254	37	G2	69.3	54.9	63.5		

\*PCB hole patterns ØE, ØF see document 2195600023

No.	Pc.	Part	Type Description/Material	Surface plating/Color/Class
4	2	Snap-in bolt	PCB 1.6mm / Brass	tin plated
3	xx	Signal contact	S1 / Brass	G1 / G2
2	1	Shell	Steel	tin plated
1	1	Insulator	PCT (-55°C to +150°C)	natural

MEASUREMENTS WITHOUT TOLERANCE ACC TO ISO 2768-m  
 REPLACEMENT FOR DOCUMENT NUMBER: FHxxS1Gy-0981

FUNCTIONAL SYMBOLS $\nabla_A = 0$ $\nabla_E = 0$ $\nabla_F = 0$	THIS DRAWING CONTAINS INFORMATION THAT IS PROPRIETARY TO MOLEX ELECTRONIC TECHNOLOGIES, LLC AND SHOULD NOT BE USED WITHOUT WRITTEN PERMISSION	<b>molex</b>  FCT D-SUB MINIATURE CONNECTOR  PRODUCT CUSTOMER DRAWING	
	DIMENSION UNITS: mm SCALE: 2:1 GENERAL TOLERANCES (UNLESS SPECIFIED) ANGULAR TOL ± °		CURRENT REV DESC:  EC NO: 708549 DRWN: SUGEEB 2021/12/02 CHK'D: MTEUBEL 2022/05/30 APPR: MTEUBEL 2022/05/30
	DIVISIONAL SYMBOLS 4 PLACES ± 3 PLACES ± 2 PLACES ± 1 PLACE ± 0 PLACES ±		INITIAL REVISION: DRWN: SUGEEB 2021/12/02 APPR: MTEUBEL 2022/05/30
	DRAFT WHERE APPLICABLE MUST REMAIN WITHIN DIMENSIONS		FIRST ANGLE PROJECTION DRAWING: A3-SIZE SERIES: 173109 MATERIAL NUMBER: SEE TABLE CUSTOMER: GENERAL MARKET SHEET NUMBER: 1 OF 1



ØE, ØF see data sheet incl. connector  
 ØF connectors with accessories only

MEASUREMENTS WITHOUT TOLERANCE ACC TO ISO 2768-m				REPLACEMENT FOR DOCUMENT NUMBER: AM0023			
THIS DRAWING CONTAINS INFORMATION THAT IS PROPRIETARY TO MOLEX ELECTRONIC TECHNOLOGIES, LLC AND SHOULD NOT BE USED WITHOUT WRITTEN PERMISSION							
FUNCTIONAL SYMBOLS	DIMENSION UNITS	SCALE	CURRENT REV DESC:				
▽A = 0	mm	2:1	EC NO: 713905				
▽E = 0	GENERAL TOLERANCES (UNLESS SPECIFIED)		DRWN: SKANDB 2022/05/16				
▽P = 0	ANGULAR TOL ± °		CHK'D: MTEUBEL 2022/07/12				
DIVISIONAL SYMBOLS	4 PLACES ±		APPR: MTEUBEL 2022/07/12				
	3 PLACES ±		INITIAL REVISION:				
	2 PLACES ±		DRWN: SKANDB 2022/05/16				
	1 PLACE ±		APPR: MTEUBEL 2022/07/12				
	0 PLACES ±		DOCUMENT NUMBER: 2195600023				
DRAFT WHERE APPLICABLE MUST REMAIN WITHIN DIMENSIONS		FIRST ANGLE PROJECTION	DRAWING	SERIES	MATERIAL NUMBER	CUSTOMER	SHEET NUMBER
			A3-SIZE	219560	219560	GENERAL MARKET	1 OF 1

**molex**

FCT PCB HOLE PATTERN STRAIGHT CONTACT  
 NO. OF CONTACTS 09-37

PRODUCT CUSTOMER DRAWING