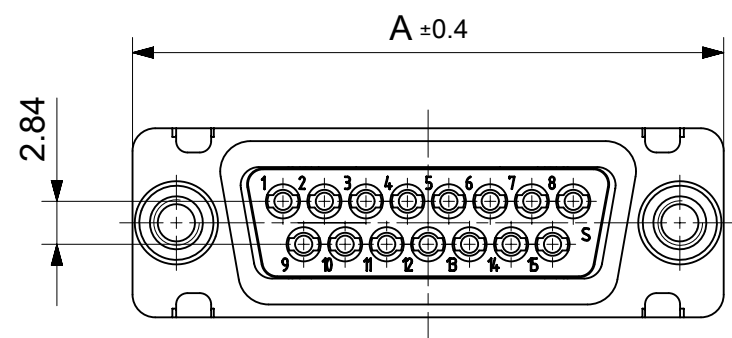
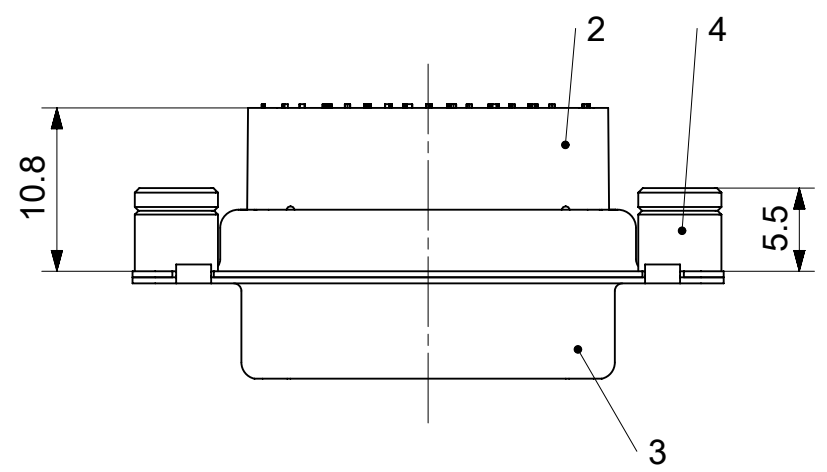
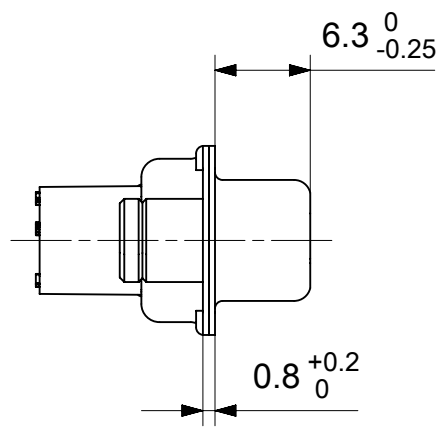
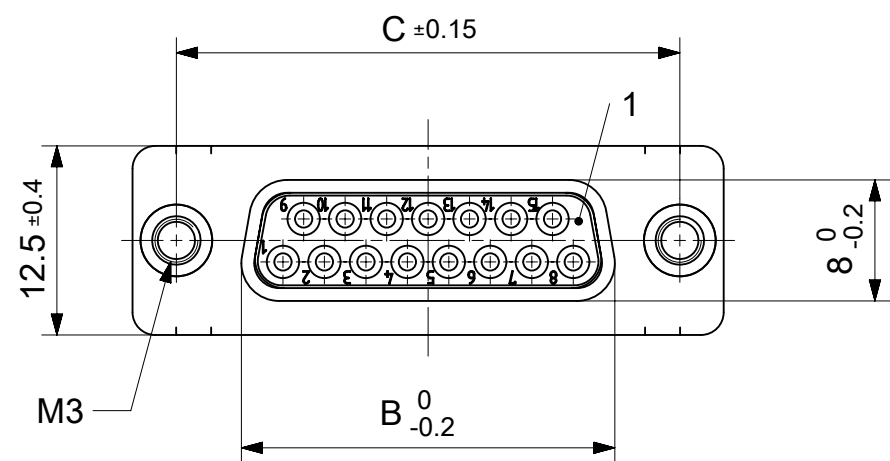


RoHS compliant
by exemption



FCT Part number:
FUxx*1)S7-1432
e.g. FU15S7-1432
*1) xx No. of contacts 09, 15, 25 or 37

Material Number	xx*1)	A[mm]	B[mm]	C[mm]
-	09	30.8	16.9	25
1731090818	15	39.1	25.2	33.3
-	25	53	38.9	47.04
-	37	69.3	55.3	63.5

Technical data for modification (FU)
Crimp contacts FK20P (AWG 20-24/1.3µm Au) included in delivery.

4	2	Threaded spacer	M3 / Steel	tin plated
3	1	Shell	Steel	tin plated
2	1	Insulator rear part	PEI (-55°C to +130°C)	green
1	1	Insulator front part	PBT acc. UL94V-0	green
No.	Pc.	Part	Type Description/Material	Surface plating/ Color/Class

MEASUREMENTS WITHOUT TOLERANCE ACC TO ISO 2768-m

REPLACEMENT FOR DOCUMENT NUMBER: FyxxS7-1432

FUNCTIONAL SYMBOLS: THIS DRAWING CONTAINS INFORMATION THAT IS PROPRIETARY TO MOLEX ELECTRONIC TECHNOLOGIES, LLC AND SHOULD NOT BE USED WITHOUT WRITTEN PERMISSION

SCALE: 2:1

GENERAL TOLERANCES (UNLESS SPECIFIED):

ANGULAR TOL ± °

4 PLACES ±

3 PLACES ±

2 PLACES ±

1 PLACE ±

0 PLACES ±

DIVISIONAL SYMBOLS:

DRAFT WHERE APPLICABLE MUST REMAIN WITHIN DIMENSIONS

FIRST ANGLE PROJECTION

DRAWING: A3-SIZE

SERIES: 173109

MATERIAL NUMBER: SEE TABLE

CUSTOMER: GENERAL MARKET

SHEET NUMBER: 1 OF 1

EC NO: 717924

DRWN: SKANDB 2022/04/06

CHK'D: MTEUBEL 2022/08/18

APPR: MTEUBEL 2022/08/18

INITIAL REVISION:

DRWN: SKANDB 2022/04/06

APPR: MTEUBEL 2022/08/18

DOCUMENT NUMBER: 1731090818

DOC TYPE: PSD

DOC PART: 000

REVISION: A

molex

FCT D-SUB CRIMP CONNECTOR

PRODUCT CUSTOMER DRAWING