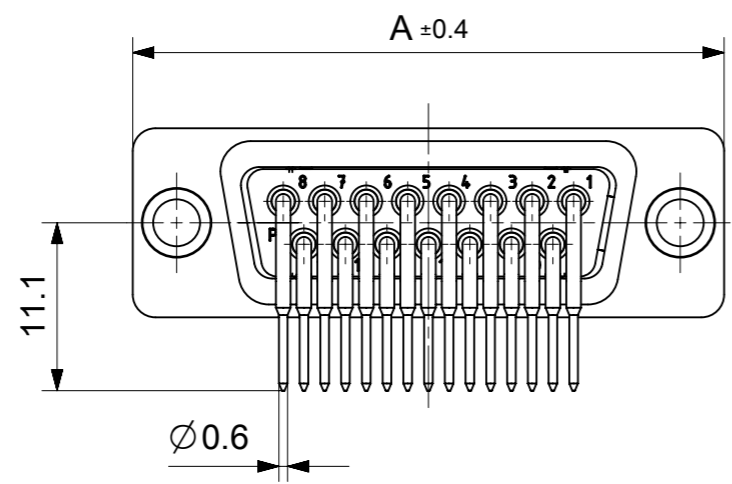
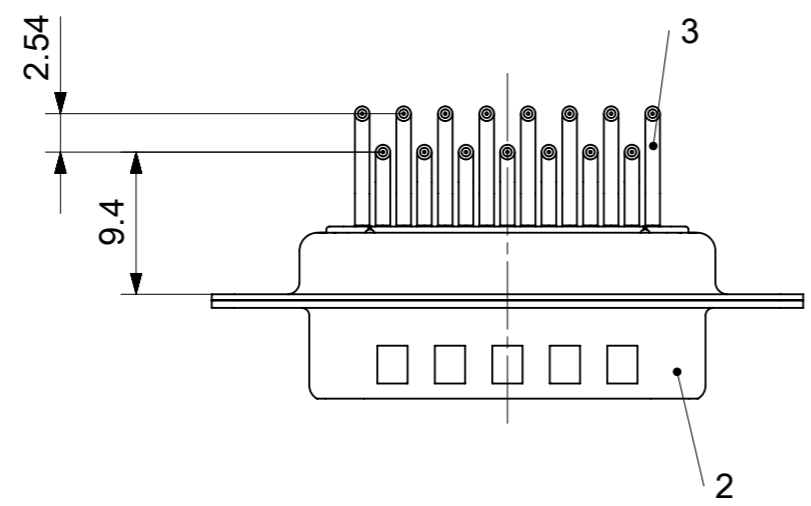
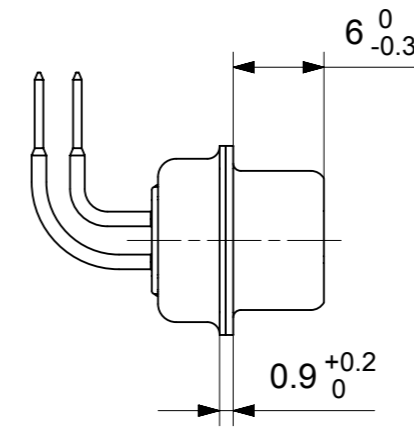
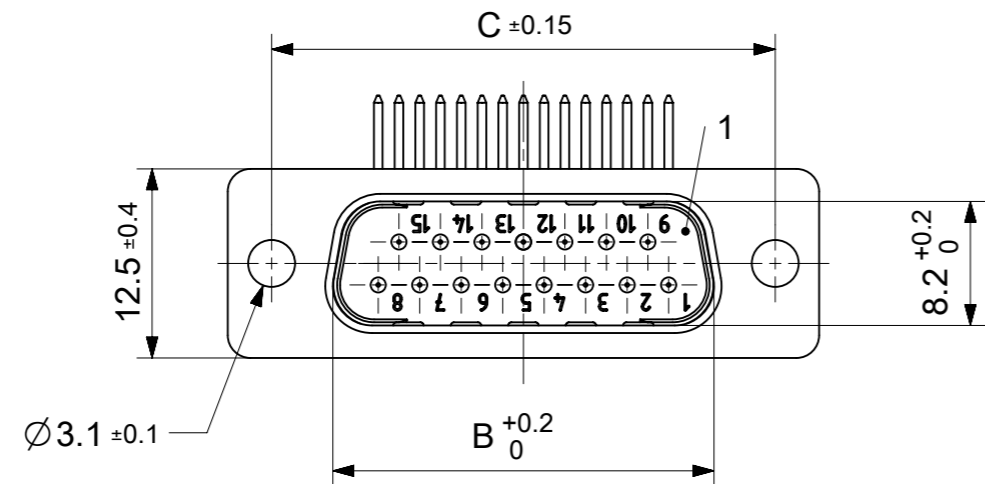


RoHS compliant
by exemption



FCT Part number:
Fxx*1)P5G1A
e.g. F15P5G1A
*1) xx No. of contacts 09, 15, 25 or 37

Material Number	xx*1)	A[mm]	B[mm]	C[mm]	*E[mm]	*H[mm]	*J[mm]
1731090692	09	30.8	16.9	25	Ø1	9.4	2.54
1731090702	15	39.1	25.2	33.3			
1731090711	25	53	38.9	47.04			
1731090723	37	69.3	55.3	63.5			

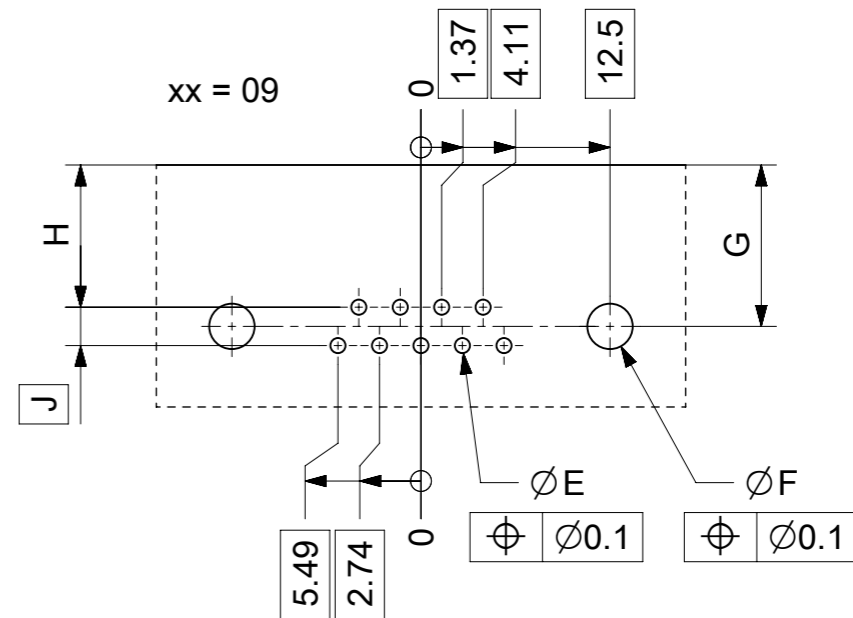
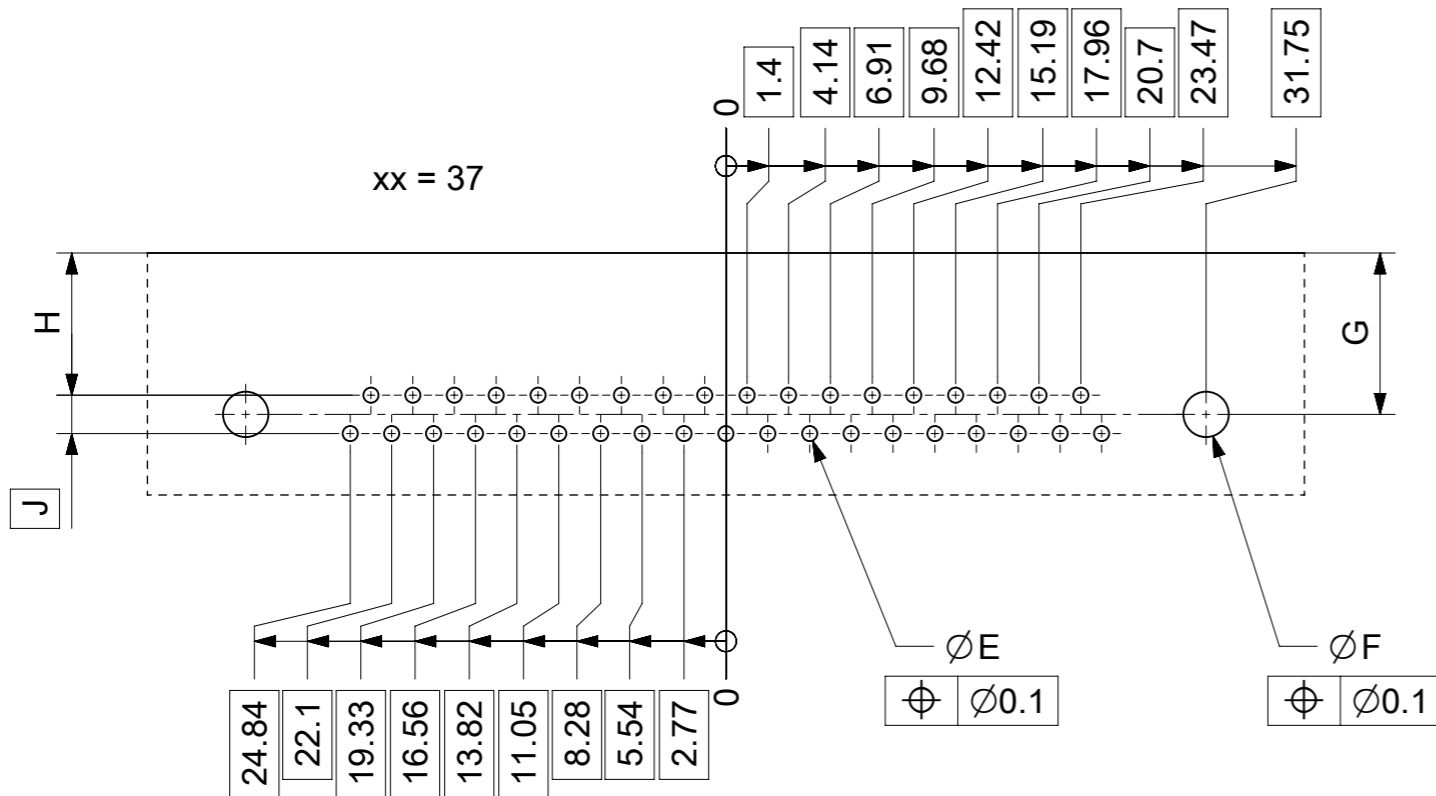
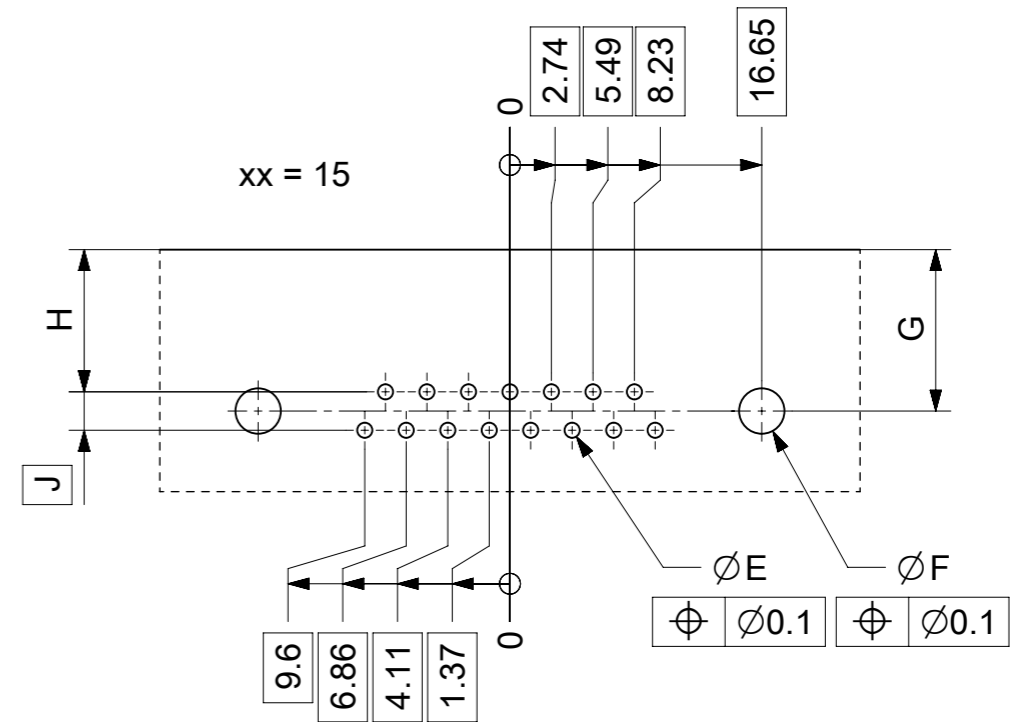
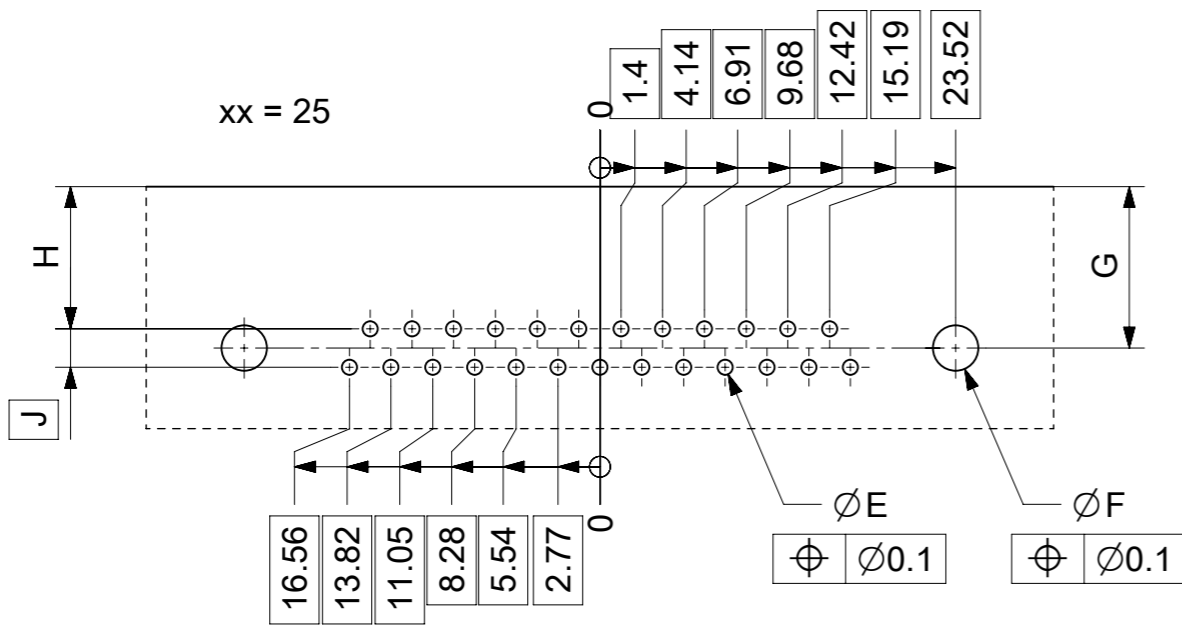
*PCB hole patterns ØE, H, J see document 2195600024

3	xx	Signal contact	P5 / Brass	AuroPur
2	1	Shell	Steel	tin plated
1	1	Insulator	PBT (-55°C to +125°C) acc. UL94V-0	white
No.	Pc.	Part	Type Description/Material	Surface plating/ Color/Class

MEASUREMENTS WITHOUT TOLERANCE ACC TO ISO 2768-m

REPLACEMENT FOR DOCUMENT NUMBER: FxxP5G1A

FUNCTIONAL SYMBOLS	THIS DRAWING CONTAINS INFORMATION THAT IS PROPRIETARY TO MOLEX ELECTRONIC TECHNOLOGIES, LLC AND SHOULD NOT BE USED WITHOUT WRITTEN PERMISSION	CURRENT REV DESC:		molex
△/A = 0	DIMENSION UNITS: mm	SCALE: 2:1	EC NO: 714712	
△/E = 0	GENERAL TOLERANCES (UNLESS SPECIFIED)		DRWN: SKANDB 2022/02/03	FCT D-SUB MINIATURE CONNECTOR
△/V = 0	ANGULAR TOL ± °		CHK'D: MTEUBEL 2022/07/22	
DIVISIONAL SYMBOLS	4 PLACES ±		APPR: MTEUBEL 2022/07/22	PRODUCT CUSTOMER DRAWING
	3 PLACES ±		INITIAL REVISION:	DOCUMENT NUMBER
	2 PLACES ±		DRWN: SKANDB 2022/02/03	1731090692
	1 PLACE ±		APPR: MTEUBEL 2022/07/22	DOC TYPE
	0 PLACES ±			PSD
	DRAFT WHERE APPLICABLE MUST REMAIN WITHIN DIMENSIONS		FIRST ANGLE PROJECTION	DOC PART
			DRAWING: A3-SIZE	000
			SERIES: 173109	REVISION
			MATERIAL NUMBER: SEE TABLE	A
			CUSTOMER: GENERAL MARKET	
			SHEET NUMBER: 1 OF 1	



øE, øF, G, H, J see data sheet incl. connector
øF, G connectors with accessories only

MEASUREMENTS WITHOUT TOLERANCE ACC TO ISO 2768-m				REPLACEMENT FOR DOCUMENT NUMBER: AM0024			
THIS DRAWING CONTAINS INFORMATION THAT IS PROPRIETARY TO MOLEX ELECTRONIC TECHNOLOGIES, LLC AND SHOULD NOT BE USED WITHOUT WRITTEN PERMISSION							
FUNCTIONAL SYMBOLS	DIMENSION UNITS		SCALE	CURRENT REV DESC:			
$\nabla_A = 0$	mm		2:1	EC NO: 713905 DRWN: SKANDB 2022/05/16 CHK'D: MTEUBEL 2022/07/12 APPR: MTEUBEL 2022/07/12			
$\nabla_F = 0$	GENERAL TOLERANCES (UNLESS SPECIFIED)						
$\nabla_P = 0$	ANGULAR TOL ± °						
DIVISIONAL SYMBOLS	4 PLACES		±	INITIAL REVISION:			
	3 PLACES		±	DRWN: SKANDB 2022/05/16			
	2 PLACES		±	APPR: MTEUBEL 2022/07/12			
	1 PLACE		±	MATERIAL NUMBER			
	0 PLACES		±	CUSTOMER			
DRAFT WHERE APPLICABLE MUST REMAIN WITHIN DIMENSIONS		FIRST ANGLE PROJECTION		DRAWING	SERIES	MATERIAL NUMBER	SHEET NUMBER
				A3-SIZE	219560	219560	1 OF 1
				PRODUCT CUSTOMER DRAWING		DOCUMENT NUMBER	DOC TYPE DOC PART REVISION
						2195600024	PSD 000 A
				FCT PCB HOLE PATTERN RIGHT ANGL. CONTACT NO. OF CONTACTS 09-37			