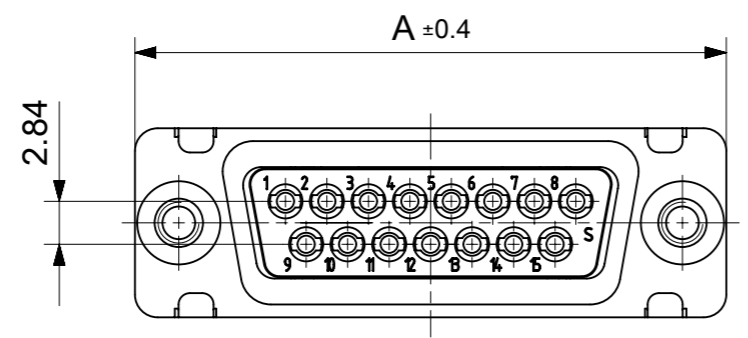
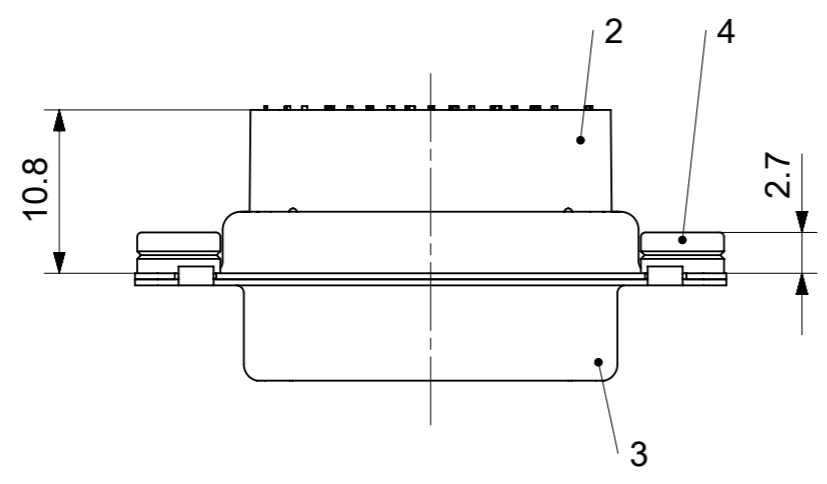
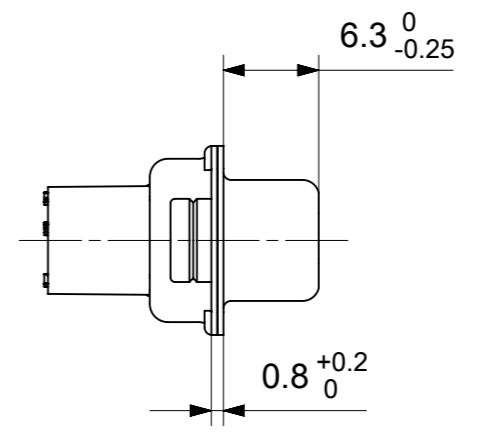
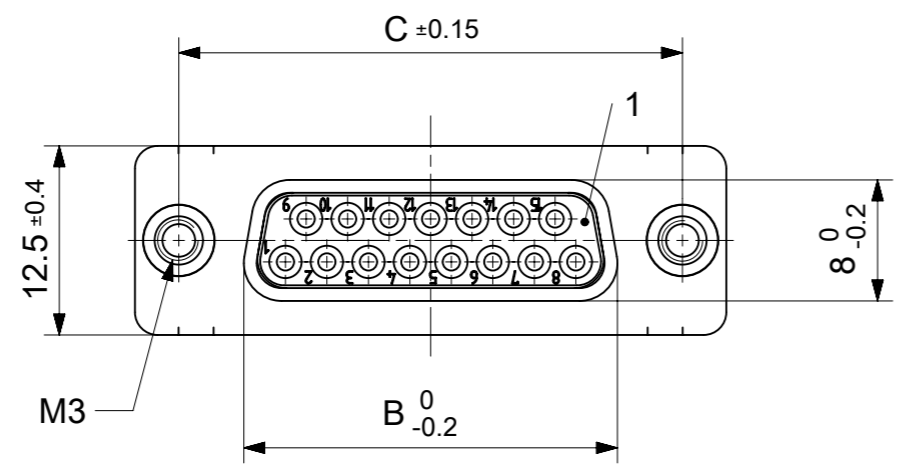


RoHS compliant
by exemption



FCT Part number:
FLZxx*1)S7-K121
e.g. FLZ15S7-K121

*1) xx No. of contacts 09, 15, 25 or 37

Material Number	xx*1)	A[mm]	B[mm]	C[mm]
1731090324	09	30.8	16.4	25
-	15	39.1	24.7	33.3
1731090605	25	53	38.5	47.04
-	37	69.3	54.9	63.5

Crimp contacts not supplied with connector.
Contacts must be ordered separately.

No.	Pc.	Part	Type Description/Material	Surface plating/ Color/Class
4	2	Clinch nut	FZ M3 / Steel	tin plated
3	1	Shell	Steel	tin plated
2	1	Insulator rear part	PA (-55°C to +115°C)	black
1	1	Insulator front part	PBT acc. UL94V-0	black

MEASUREMENTS WITHOUT TOLERANCE ACC TO ISO 2768-m

REPLACEMENT FOR DOCUMENT NUMBER: FyZxxS7-K121

FUNCTIONAL SYMBOLS: THIS DRAWING CONTAINS INFORMATION THAT IS PROPRIETARY TO MOLEX ELECTRONIC TECHNOLOGIES, LLC AND SHOULD NOT BE USED WITHOUT WRITTEN PERMISSION

FUNCTIONAL DIMENSION UNITS: mm SCALE: 2:1

GENERAL TOLERANCES (UNLESS SPECIFIED):

ANGULAR TOL ± °

4 PLACES ±

3 PLACES ±

2 PLACES ±

1 PLACE ±

0 PLACES ±

DIVISIONAL SYMBOLS

DRAFT WHERE APPLICABLE MUST REMAIN WITHIN DIMENSIONS

FIRST ANGLE PROJECTION

DRAWING: A3-SIZE

SERIES: 173109

MATERIAL NUMBER: SEE TABLE

CUSTOMER: GENERAL MARKET

SHEET NUMBER: 1 OF 1

EC NO: 717924

DRWN: SKANDB 2022/03/23

CHK'D: MTEUBEL 2022/08/18

APPR: MTEUBEL 2022/08/18

INITIAL REVISION:

DRWN: SKANDB 2022/03/23

APPR: MTEUBEL 2022/08/18

DOCUMENT NUMBER: 1731090324

DOC TYPE: PSD

DOC PART: 000

REVISION: A

molex

FCT D-SUB CRIMP CONNECTOR

PRODUCT CUSTOMER DRAWING