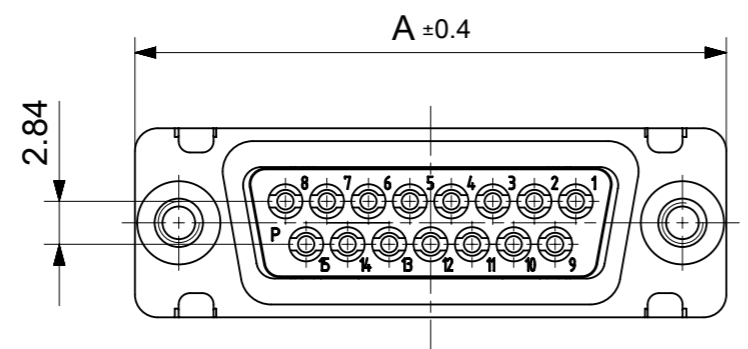
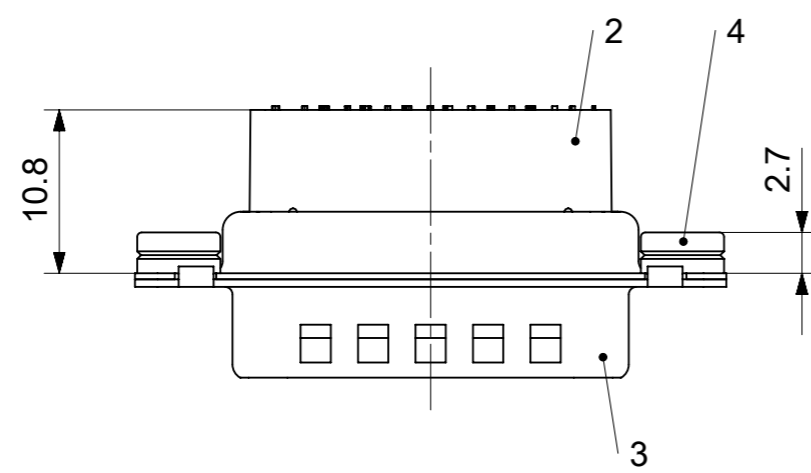
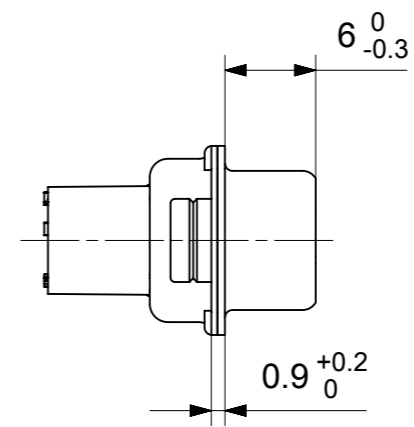
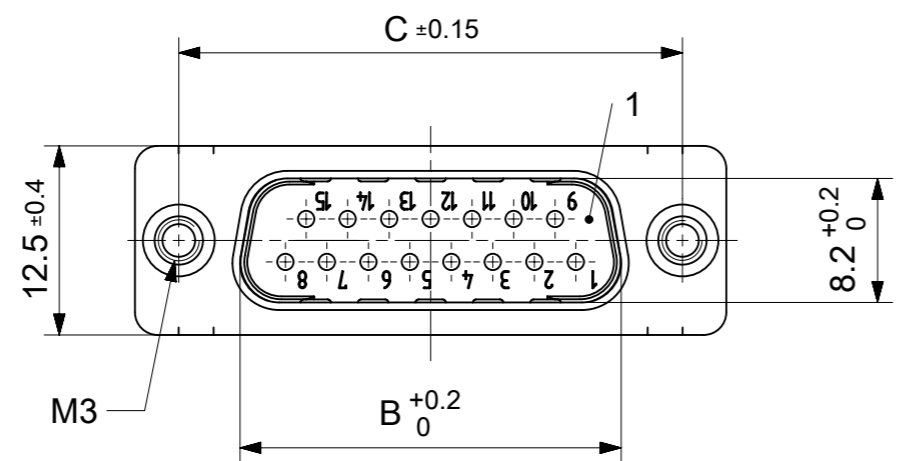


RoHS compliant
by exemption



FCT Part number:
FLZxx*1)P7-K120
e.g. FLZ15P7-K120

*1) xx No. of contacts 09, 15, 25 or 37

Material Number	xx*1)	A[mm]	B[mm]	C[mm]
1731090323	09	30.8	16.9	25
1731090542	15	39.1	25.2	33.3
-	25	53	38.9	47.04
-	37	69.3	55.3	63.5

Crimp contacts not supplied with connector.
Contacts must be ordered separately.

No.	Pc.	Part	Type Description/Material	Surface plating/Color/Class
4	2	Clinch nut	FZ M3 / Steel	tin plated
3	1	Shell	Steel	tin plated
2	1	Insulator rear part	PA (-55°C to +115°C)	black
1	1	Insulator front part	PBT acc. UL94V-0	black

MEASUREMENTS WITHOUT TOLERANCE ACC TO ISO 2768-m			REPLACEMENT FOR DOCUMENT NUMBER: FyZxxP7-K120		
FUNCTIONAL SYMBOLS: THIS DRAWING CONTAINS INFORMATION THAT IS PROPRIETARY TO MOLEX ELECTRONIC TECHNOLOGIES, LLC AND SHOULD NOT BE USED WITHOUT WRITTEN PERMISSION DIMENSION UNITS: mm SCALE: 2:1 CURRENT REV DESC:					
GENERAL TOLERANCES (UNLESS SPECIFIED) ANGULAR TOL ± °			molex FCT D-SUB CRIMP CONNECTOR		
DIVISIONAL SYMBOLS:					
EC NO: 717924 DRWN: SKANDB 2022/03/21 CHK'D: MTEUBEL 2022/08/18 APPR: MTEUBEL 2022/08/18			PRODUCT CUSTOMER DRAWING		
INITIAL REVISION: DRWN: SKANDB 2022/03/21 APPR: MTEUBEL 2022/08/18			DOCUMENT NUMBER 1731090323	DOC TYPE PSD	DOC PART 000
DRAFT WHERE APPLICABLE MUST REMAIN WITHIN DIMENSIONS			FIRST ANGLE PROJECTION	DRAWING A3-SIZE	SERIES 173109
MATERIAL NUMBER SEE TABLE		CUSTOMER GENERAL MARKET		SHEET NUMBER 1 OF 1	