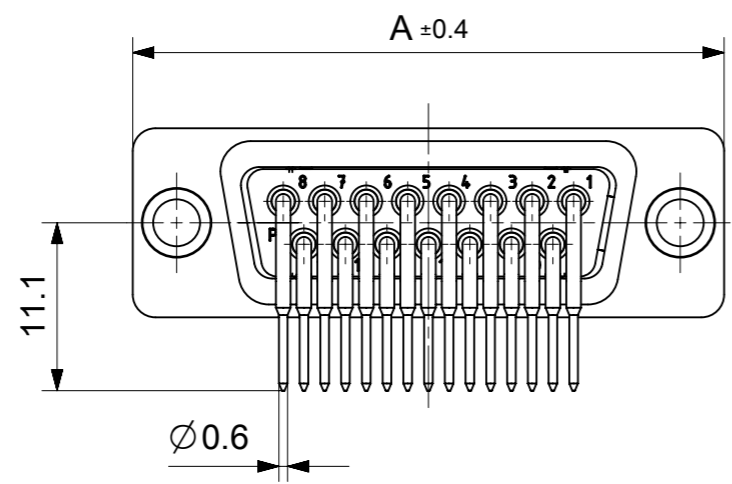
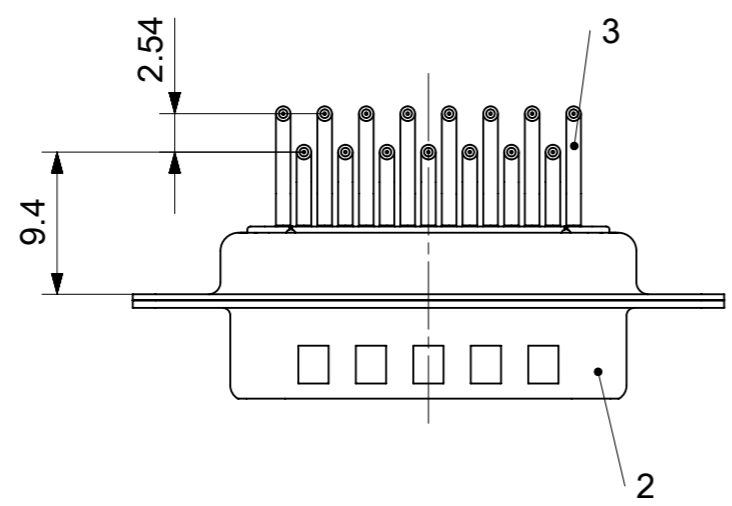
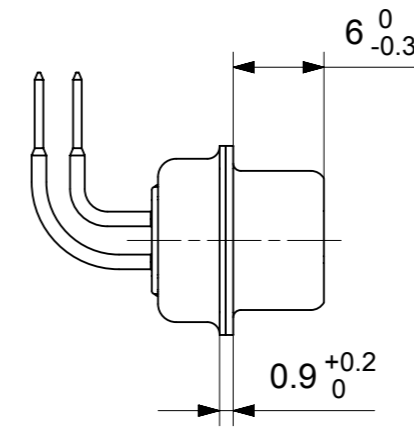
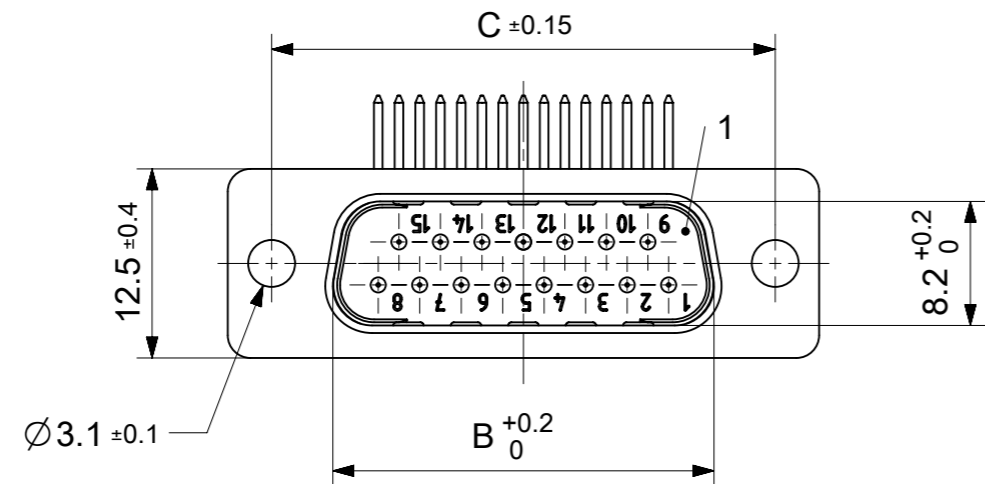


RoHS compliant
by exemption



FCT Part number:

Fxx*1)P5y*2)

e.g. F15P5G1

*1) xx No. of contacts 09, 15, 25 or 37

*2) y for performance classes 1, 2 or 3

(contact cycle for G1/G2/G3 = 500/200/50)

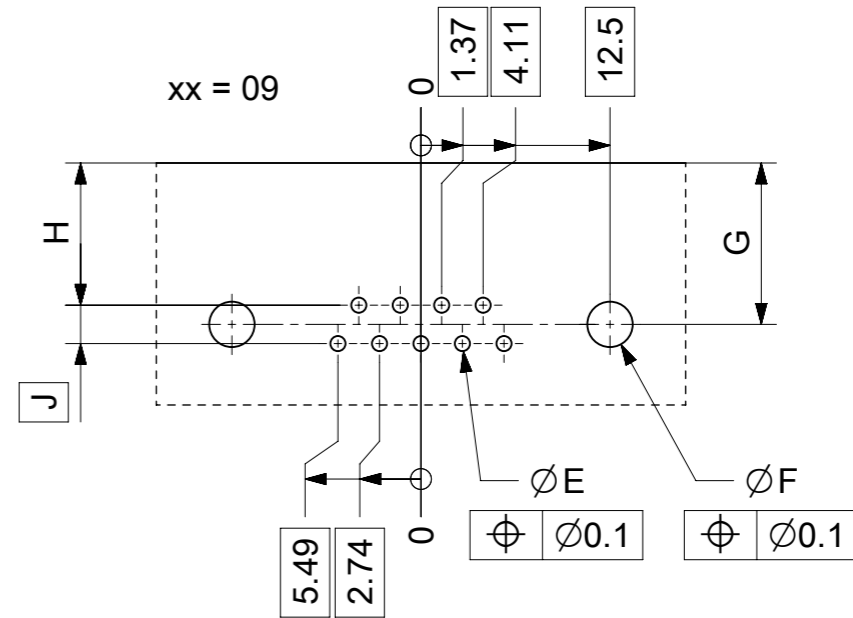
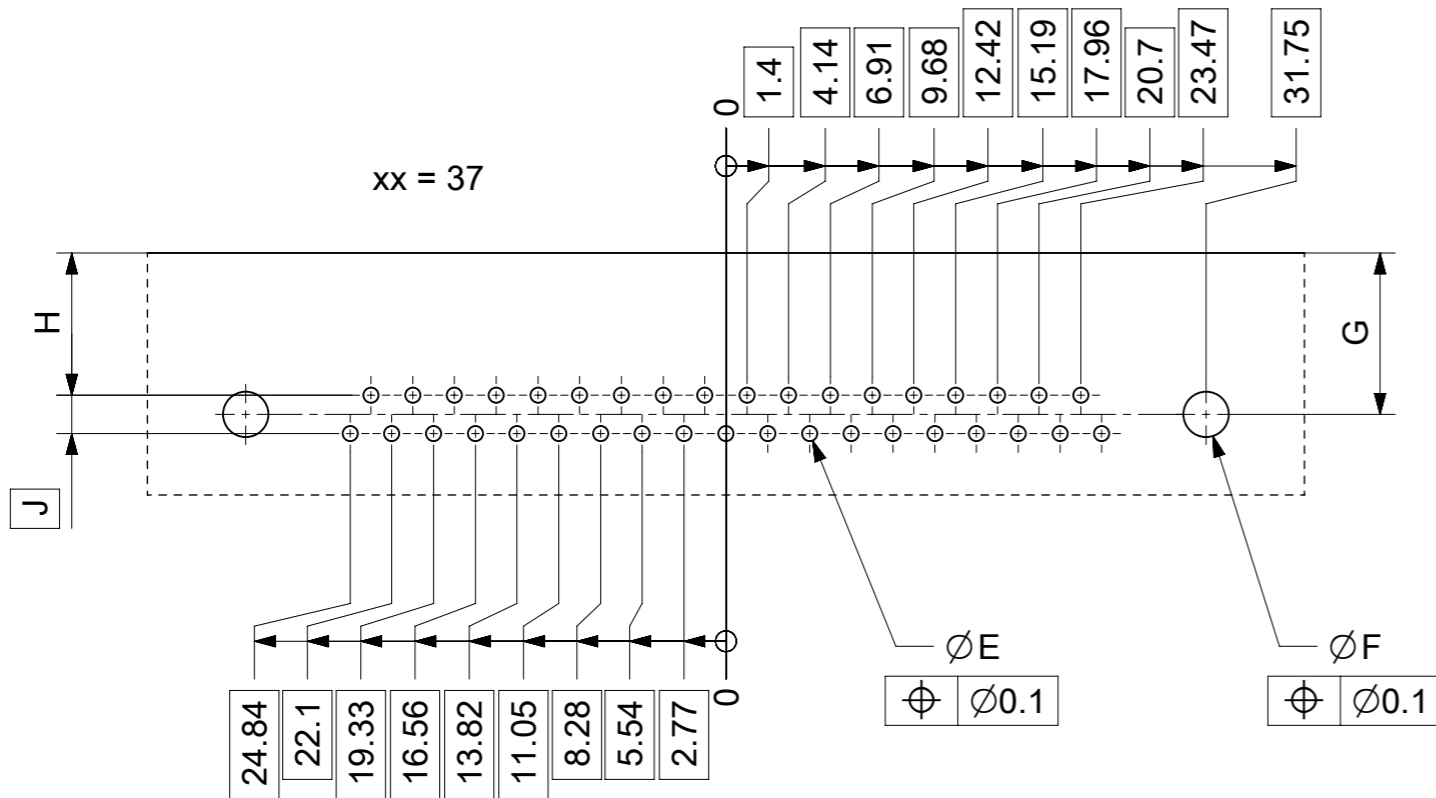
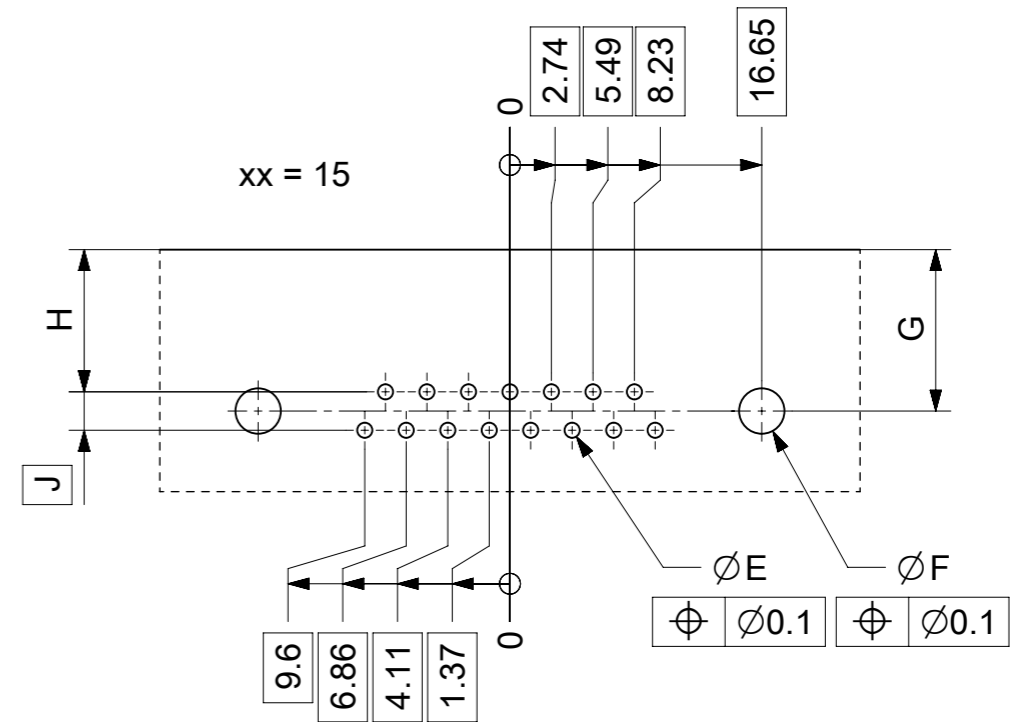
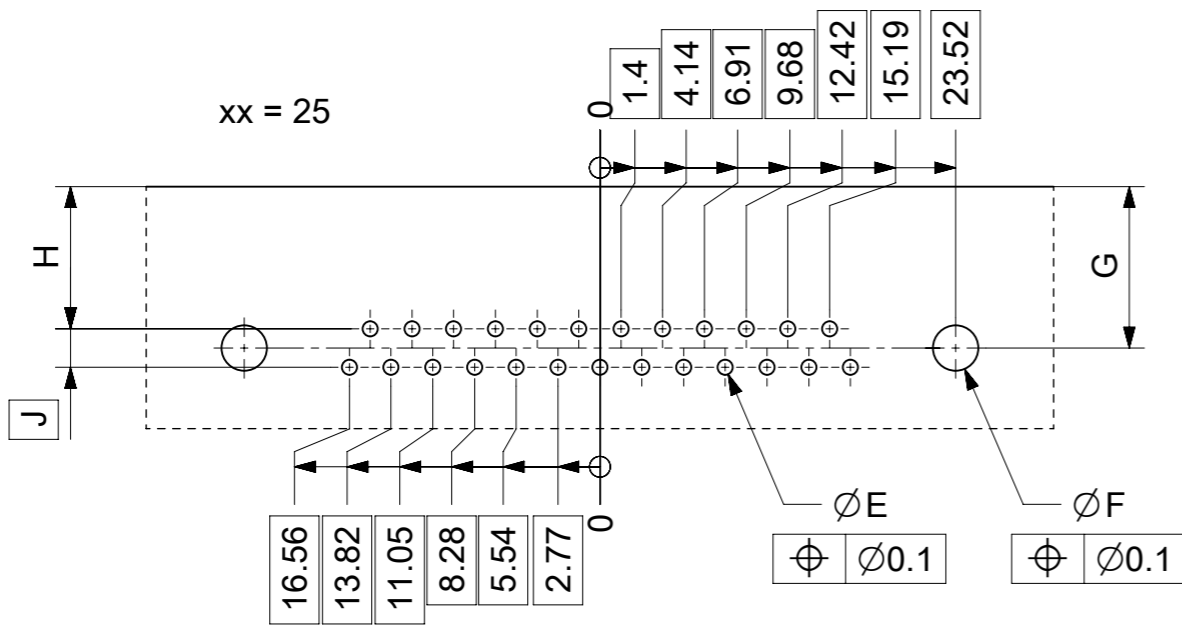
Material Number	xx*1)	y*2)	A[mm]	B[mm]	C[mm]	*E[mm]	*H[mm]	*J[mm]
1731090691	09	G1	30.8	16.9	25	Ø1	9.4	2.54
1731090642		G2						
1731090487	15	G1	39.1	25.2	33.3			
1731090447		G2						
1731090494	25	G1	53	38.9	47.04			
1731090646		G2						
1731090247	37	G2	69.3	55.3	63.5			

*PCB hole patterns ØE, H, J see document 2195600024

3	xx	Signal contact	P5 / Brass	G1 / G2
2	1	Shell	Steel	tin plated
1	1	Insulator	PBT (-55°C to +125°C) acc. UL94V-0	white
No.	Pc.	Part	Type Description/Material	Surface plating/Color/Class

MEASUREMENTS WITHOUT TOLERANCE ACC TO ISO 2768-m REPLACEMENT FOR DOCUMENT NUMBER: FxxP5Gy

FUNCTIONAL SYMBOLS	THIS DRAWING CONTAINS INFORMATION THAT IS PROPRIETARY TO MOLEX ELECTRONIC TECHNOLOGIES, LLC AND SHOULD NOT BE USED WITHOUT WRITTEN PERMISSION	CURRENT REV DESC:		molex					
	<table border="1"> <tr> <th>DIMENSION UNITS</th> <th>SCALE</th> </tr> <tr> <td>mm</td> <td>2:1</td> </tr> </table>	DIMENSION UNITS	SCALE		mm	2:1	EC NO: 714712		
	DIMENSION UNITS	SCALE							
	mm	2:1							
GENERAL TOLERANCES (UNLESS SPECIFIED)		DRWN: SKANDB	2022/02/03						
ANGULAR TOL ± °		CHK'D: MTEUBEL	2022/07/22						
DIVISIONAL SYMBOLS	4 PLACES ±		APPR: MTEUBEL	2022/07/22					
	3 PLACES ±		INITIAL REVISION:						
	2 PLACES ±		DRWN: SKANDB	2022/02/03					
	1 PLACE ±		APPR: MTEUBEL	2022/07/22					
0 PLACES ±		DOCUMENT NUMBER		1731090691					
DRAFT WHERE APPLICABLE MUST REMAIN WITHIN DIMENSIONS		FIRST ANGLE PROJECTION	DRAWING	SERIES	MATERIAL NUMBER	CUSTOMER	DOC TYPE	DOC PART	REVISION
			A3-SIZE	173109	SEE TABLE	GENERAL MARKET	PSD	000	A
									SHEET NUMBER
									1 OF 1



øE, øF, G, H, J see data sheet incl. connector
 øF, G connectors with accessories only

MEASUREMENTS WITHOUT TOLERANCE ACC TO ISO 2768-m				REPLACEMENT FOR DOCUMENT NUMBER: AM0024			
THIS DRAWING CONTAINS INFORMATION THAT IS PROPRIETARY TO MOLEX ELECTRONIC TECHNOLOGIES, LLC AND SHOULD NOT BE USED WITHOUT WRITTEN PERMISSION							
FUNCTIONAL SYMBOLS	DIMENSION UNITS		SCALE	CURRENT REV DESC:			
$\nabla_A = 0$	mm		2:1	EC NO: 713905 DRWN: SKANDB 2022/05/16 CHK'D: MTEUBEL 2022/07/12 APPR: MTEUBEL 2022/07/12			
$\nabla_F = 0$	GENERAL TOLERANCES (UNLESS SPECIFIED)						
$\nabla_P = 0$	ANGULAR TOL		± °				
DIVISIONAL SYMBOLS	4 PLACES		±	INITIAL REVISION:			
	3 PLACES		±	DRWN: SKANDB 2022/05/16			
	2 PLACES		±	APPR: MTEUBEL 2022/07/12			
	1 PLACE		±	2195600024			
	0 PLACES		±	PSD 000 A			
DRAFT WHERE APPLICABLE MUST REMAIN WITHIN DIMENSIONS		FIRST ANGLE PROJECTION	DRAWING	SERIES	MATERIAL NUMBER	CUSTOMER	SHEET NUMBER
			A3-SIZE	219560	219560	GENERAL MARKET	1 OF 1