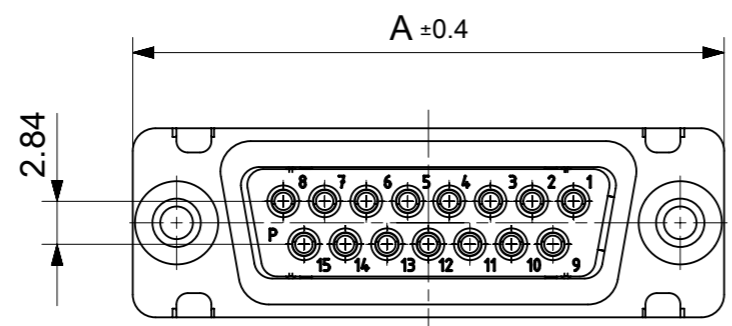
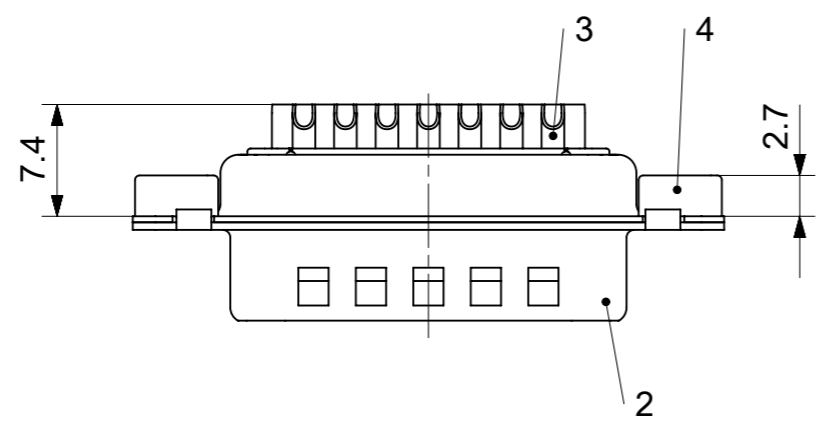
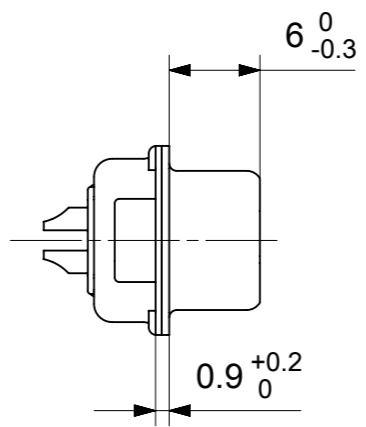
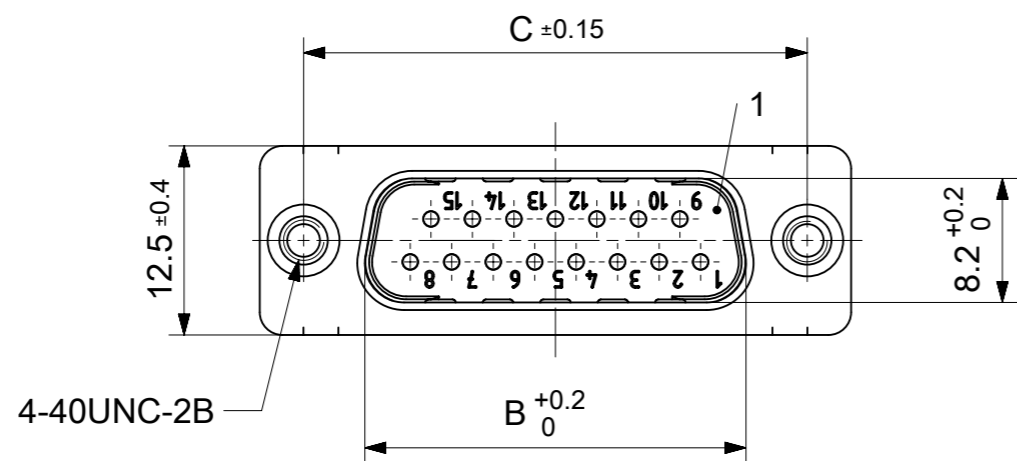


RoHS compliant  
by exemption



FCT Part number:  
FTxx\*1)P0y\*2)  
e.g. FT15P0G1

\*1) xx No. of contacts 09, 15, 25 or 37  
\*2) y for performance classes 1, 2 or 3  
(contact cycle for G1/G2/G3 = 500/200/50)

Material Number	xx*1)	y*2)	A[mm]	B[mm]	C[mm]
1731090089	09	G1	30.8	16.9	25
1731090099		G2			
1731090090	15	G1	39.1	25.2	33.3
1731090100		G2			
1731090091	25	G1	53	38.9	47.04
1731090101		G2			
-	37	-	69.3	55.3	63.5

4	2	Clinch nut	FT 4-40 / Steel	tin plated
3	xx	Signal contact	P0 / Brass	G1 / G2 / AWG 20
2	1	Shell	Steel	tin plated
1	1	Insulator	PBT (-55°C to +125°C) acc. UL94V-0	white
No.	Pc.	Part	Type Description/Material	Surface plating/ Color/Class

MEASUREMENTS WITHOUT TOLERANCE ACC TO ISO 2768-m

REPLACEMENT FOR DOCUMENT NUMBER: FTxxP0Gy

FUNCTIONAL SYMBOLS: THIS DRAWING CONTAINS INFORMATION THAT IS PROPRIETARY TO MOLEX ELECTRONIC TECHNOLOGIES, LLC AND SHOULD NOT BE USED WITHOUT WRITTEN PERMISSION

SCALE: 2:1

GENERAL TOLERANCES (UNLESS SPECIFIED)

ANGULAR TOL ± °

4 PLACES ±

3 PLACES ±

2 PLACES ±

1 PLACE ±

0 PLACES ±

DRAFT WHERE APPLICABLE MUST REMAIN WITHIN DIMENSIONS

FIRST ANGLE PROJECTION

DRAWING: A3-SIZE

SERIES: 173109

MATERIAL NUMBER: SEE TABLE

CUSTOMER: GENERAL MARKET

SHEET NUMBER: 1 OF 1

EC NO: 712973

DRWN: SKANDB 2022/01/18

CHK'D: MTEUBEL 2022/07/12

APPR: MTEUBEL 2022/07/12

INITIAL REVISION:

DRWN: SKANDB 2022/01/18

APPR: MTEUBEL 2022/07/12

DOCUMENT NUMBER: 1731090089

DOC TYPE: PSD

DOC PART: 000

REVISION: A

**molex**

FCT D-SUB MINIATURE CONNECTOR

PRODUCT CUSTOMER DRAWING