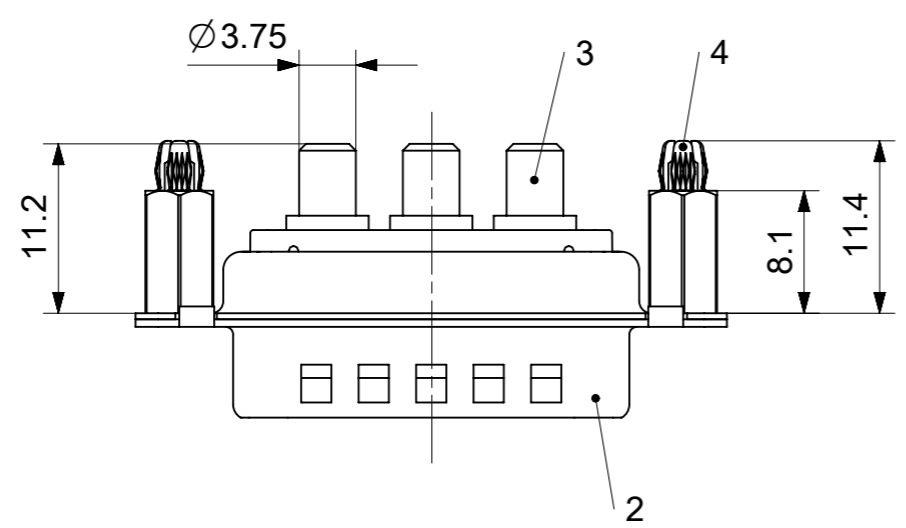
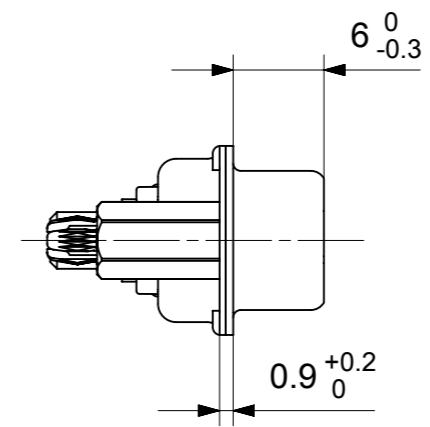
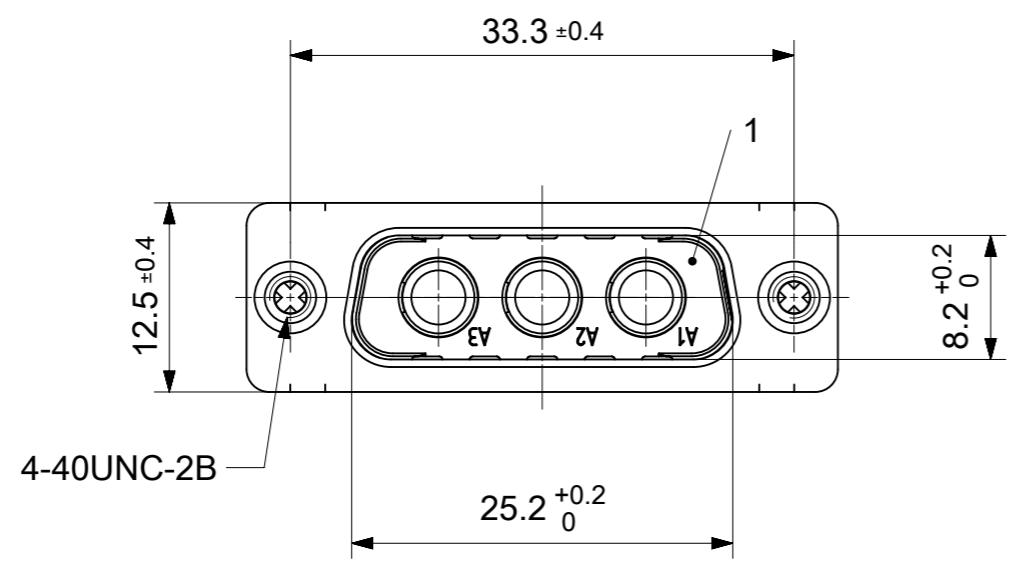
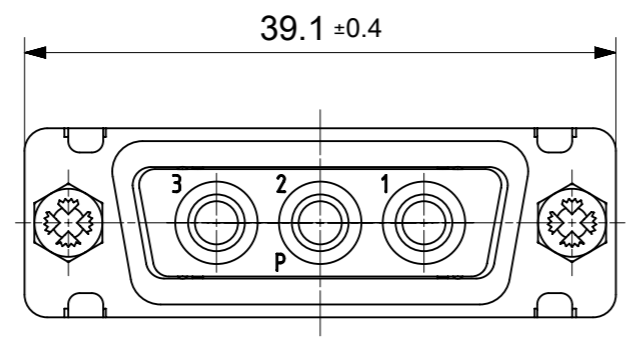
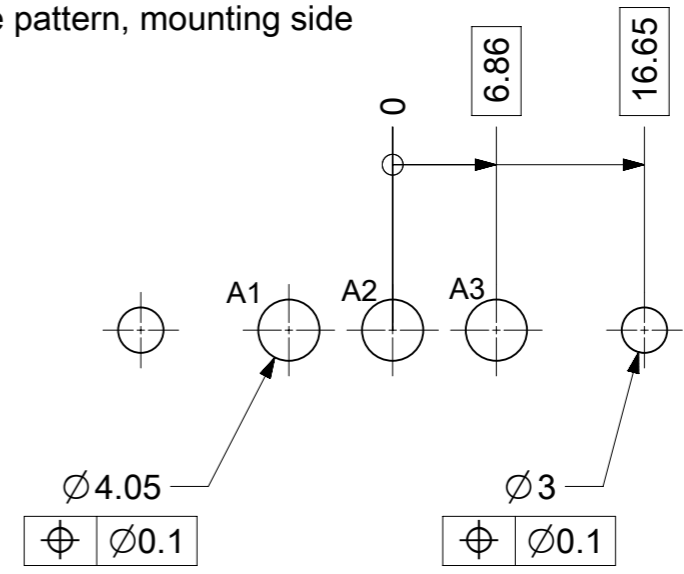


RoHS compliant
by exemption



PCB hole pattern, mounting side



4	2	Snap-in bolt	PCB 1.6mm / Brass	tin plated
3	3	High power contact	FMP016P105	40A
2	1	Shell	Steel	tin plated
1	1	Insulator	PCT (-55°C to +150°C)	natural
No.	Pc.	Part	Type Description/Material	Surface plating/ Color/Class

MEASUREMENTS WITHOUT TOLERANCE ACC TO ISO 2768-m REPLACEMENT FOR DOCUMENT NUMBER: FH3W3P-6131

FUNCTIONAL SYMBOLS	THIS DRAWING CONTAINS INFORMATION THAT IS PROPRIETARY TO MOLEX ELECTRONIC TECHNOLOGIES, LLC AND SHOULD NOT BE USED WITHOUT WRITTEN PERMISSION	CURRENT REV DESC:		<h1>molex</h1>							
	<table border="1"> <tr> <th>FUNCTIONAL SYMBOLS</th> <th>DIMENSION UNITS</th> <th>SCALE</th> </tr> <tr> <td>$\nabla_A = 0$</td> <td>mm</td> <td>2:1</td> </tr> </table>	FUNCTIONAL SYMBOLS	DIMENSION UNITS		SCALE	$\nabla_A = 0$	mm	2:1	EC NO: 727306		FCT D-SUB MIXED-LAYOUT CONNECTOR FCT PART NUMBER: FH3W3P-6131
	FUNCTIONAL SYMBOLS	DIMENSION UNITS	SCALE								
	$\nabla_A = 0$	mm	2:1								
GENERAL TOLERANCES (UNLESS SPECIFIED)		DRWN: MSTEINBRUECK	2022/11/07								
ANGULAR TOL ± °		CHK'D: MTEUBEL	2022/11/08								
4 PLACES ±		APPR: MTEUBEL	2022/11/08								
DIVISIONAL SYMBOLS	INITIAL REVISION:		PRODUCT CUSTOMER DRAWING								
	3 PLACES ±		DRWN: SUGEEB	2022/05/12							
	2 PLACES ±		APPR: MTEUBEL	2022/10/11							
	1 PLACE ±		DOCUMENT NUMBER								
0 PLACES ±		1731071446		DOC TYPE							
DRAFT WHERE APPLICABLE MUST REMAIN WITHIN DIMENSIONS		FIRST ANGLE PROJECTION	DRAWING	SERIES	MATERIAL NUMBER	CUSTOMER	DOC PART	REVISION			
			A3-SIZE	173107	1731071446	GENERAL MARKET	000	A1			