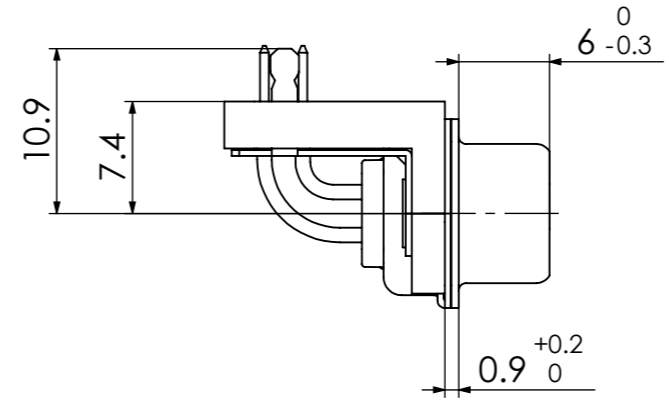
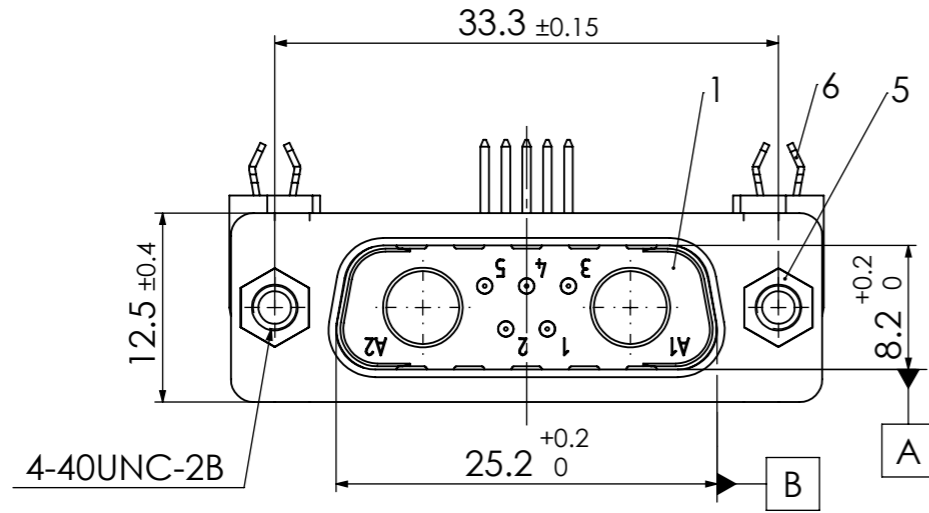
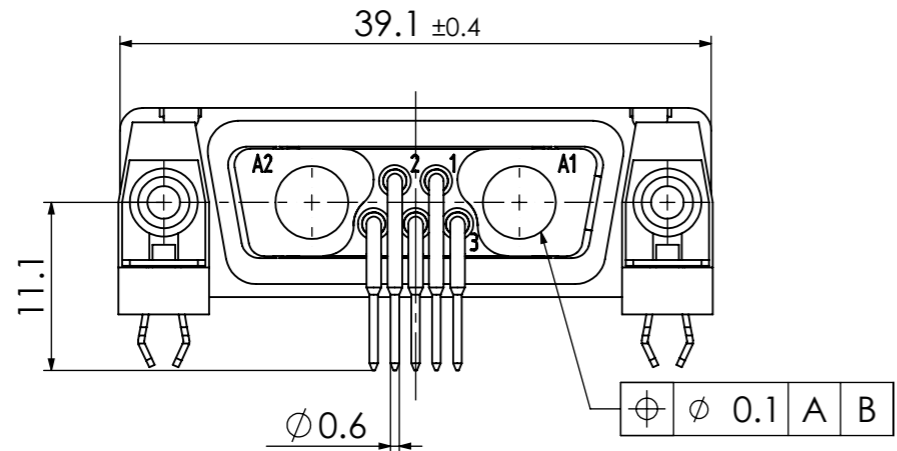
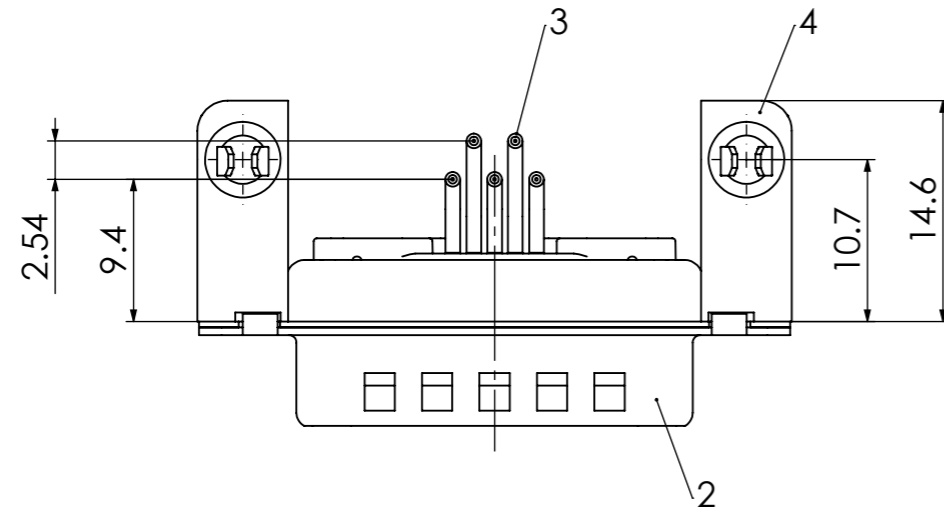
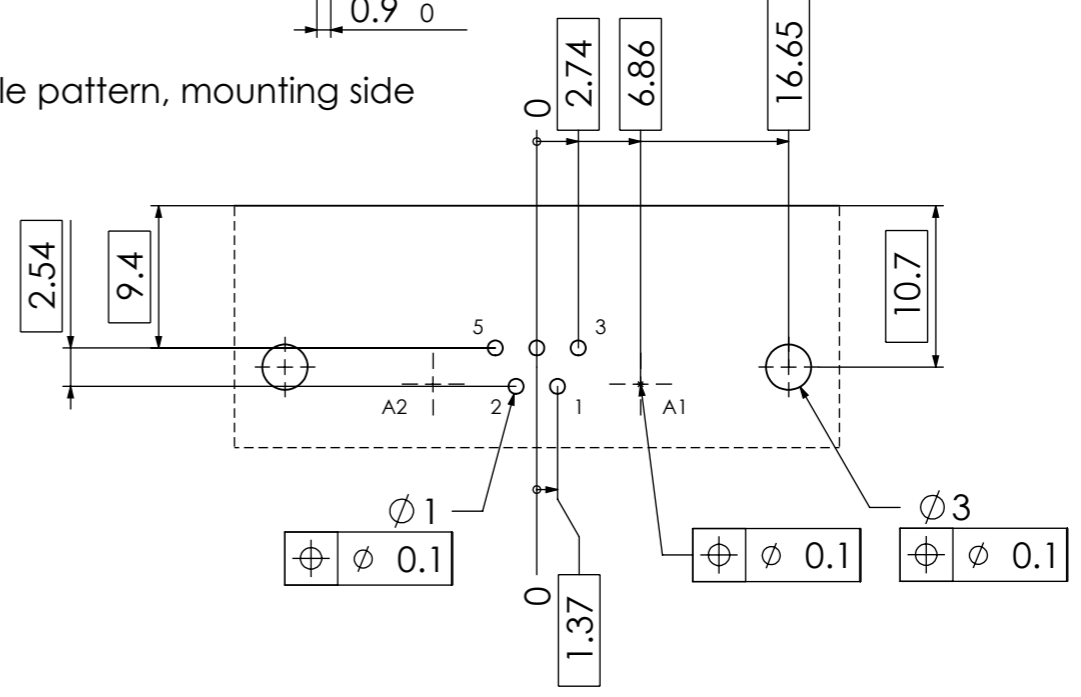


RoHS compliant
by exemption



PCB hole pattern, mounting side



No.	St.	Part	Type Description/Material	Surface plating/Colour/Class
6	2	Snap-in bracket	PCB 1.6mm / Brass	tin plated
5	2	Clinch nut	KW 4-40 / Brass	tin plated
4	2	Plastic bracket	FKA 1/4 / PC	black
3	5	Signal contact	P5 / Brass	0.8µm Au
2	1	Shell	Steel	tin plated
1	1	Insulator	PBT (-55°C to +130°C) acc. UL94V-0	green

FUNCTIONAL SYMBOLS ▽ = 0 ▽ = 0 ▽ = 0		THIS DRAWING CONTAINS INFORMATION THAT IS PROPRIETARY TO MOLEX ELECTRONIC TECHNOLOGIES, LLC AND SHOULD NOT BE USED WITHOUT WRITTEN PERMISSION			
DIMENSION UNITS: mm SCALE: 2:1 MEASUREMENTS WITHOUT TOLERANCE ACC. TO: ISO 2768-m		CURRENT REVISION DRWN: DRAWN BY msteinbrueck 17-08-2023 APPR: APPR BY fvetter 22-08-2023			
REV. CH.-NO. 2 24410 1		INITIAL REVISION DRWN: DRAWN BY mpostulka 19-05-2009 APPR: APPR BY birgit.rinder 19-05-2009		PRODUCT CUSTOMER DRAWING MATERIAL NUMBER: 1731071125 REVISION: 2	
REPLACEMENT FOR: 1731071125_Rev. A1		FIRST ANGLE PROJECTION 		DRAWING: A3-SIZE DOCUMENT NUMBER: FM7W2P5-1155 CUSTOMER: GENERAL MARKET SHEET NUMBER: 1 OF 1	

COMMENT: ALL RIGHTS ARE RESERVED BY US FOR THIS DRAWING. WITHOUT OUR PRIOR CONSENT, IT MAY NEITHER BE DUPLICATED NOR MADE AVAILABLE TO A THIRD PARTY. AND IT ALSO MAY NOT BE IMPROPERLY USED BY THE RECEIVER, OR A THIRD PARTY.