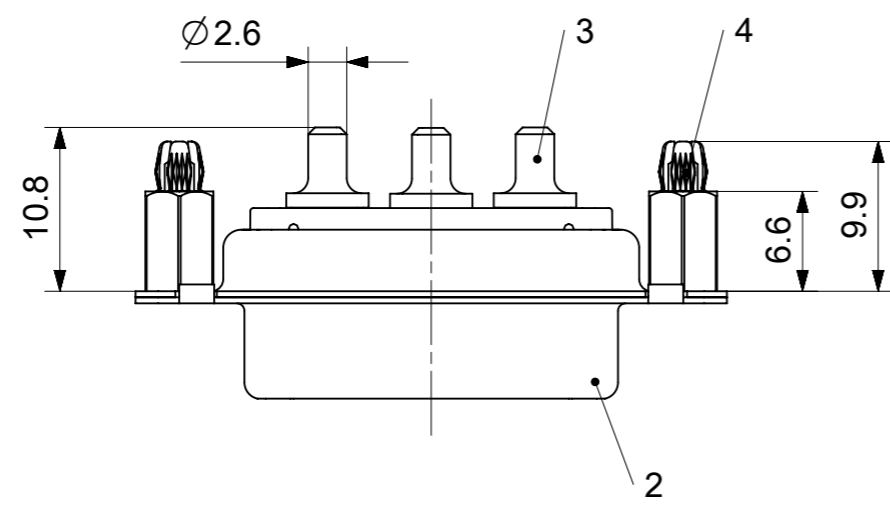
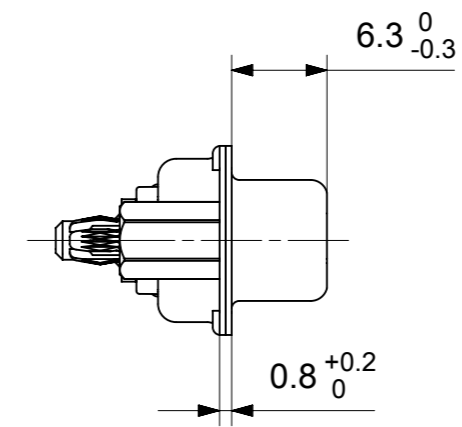
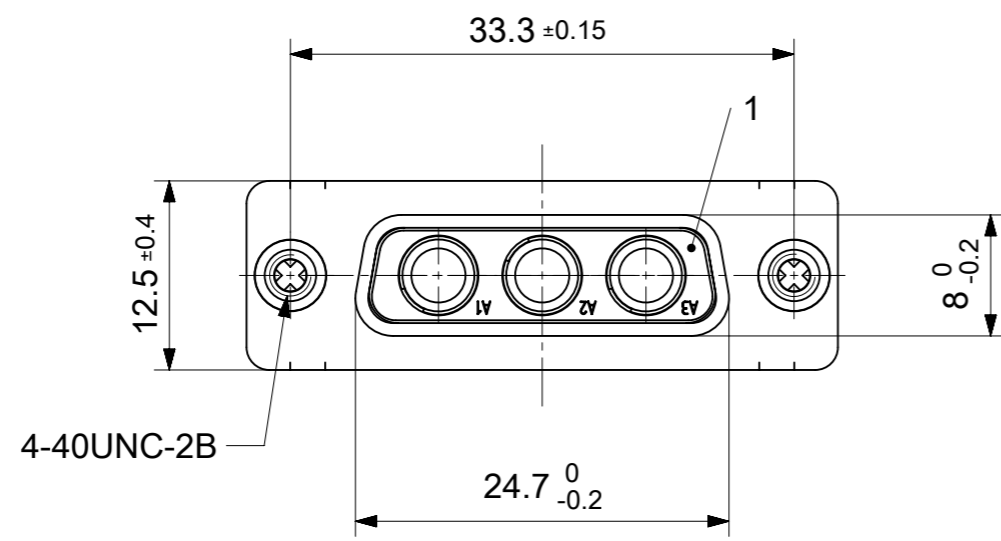
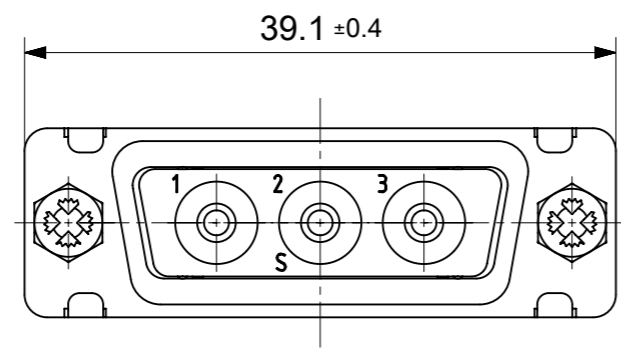
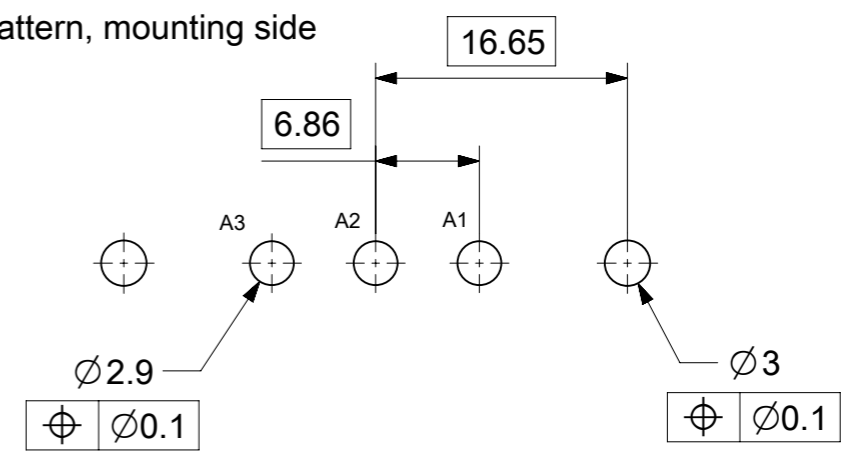


RoHS compliant
by exemption



PCB hole pattern, mounting side



4	2	Snap-in bolt	PCB 1.6mm / Brass	tin plated
3	3	High power contact	FMP014P104	20A
2	1	Shell	Steel	tin plated
1	1	Insulator	PBT (-55°C to +130°C) acc. UL94V-0	green
No.	Pc.	Part	Type Description/Material	Surface plating/ Color/Class

MEASUREMENTS WITHOUT TOLERANCE ACC TO ISO 2768-m REPLACEMENT FOR DOCUMENT NUMBER: FM3W3S-3057

FUNCTIONAL SYMBOLS	THIS DRAWING CONTAINS INFORMATION THAT IS PROPRIETARY TO MOLEX ELECTRONIC TECHNOLOGIES, LLC AND SHOULD NOT BE USED WITHOUT WRITTEN PERMISSION	CURRENT REV DESC:		molex					
	<table border="1"> <tr> <th>DIMENSION UNITS</th> <th>SCALE</th> </tr> <tr> <td>mm</td> <td>2:1</td> </tr> </table>	DIMENSION UNITS	SCALE		mm	2:1	EC NO: 727306		FCT D-SUB MIXED-LAYOUT CONNECTOR FCT PART NUMBER: FM3W3S-3057
	DIMENSION UNITS	SCALE							
	mm	2:1							
GENERAL TOLERANCES (UNLESS SPECIFIED)		DRWN: MSTEINBRUECK	2022/11/07						
ANGULAR TOL ± °		CHK'D: MTEUBEL	2022/11/08						
4 PLACES ±		APPR: MTEUBEL	2022/11/08						
DIVISIONAL SYMBOLS	INITIAL REVISION:		PRODUCT CUSTOMER DRAWING						
	DRWN: SKANDB		2022/05/25	DOCUMENT NUMBER					
	APPR: MTEUBEL		2022/09/30	1731071041					
	DRAFT WHERE APPLICABLE MUST REMAIN WITHIN DIMENSIONS		FIRST ANGLE PROJECTION	DRAWING					
		SERIES	MATERIAL NUMBER	CUSTOMER					
		A3-SIZE	173107	GENERAL MARKET					
			1731071041						
				SHEET NUMBER					
				1 OF 1					