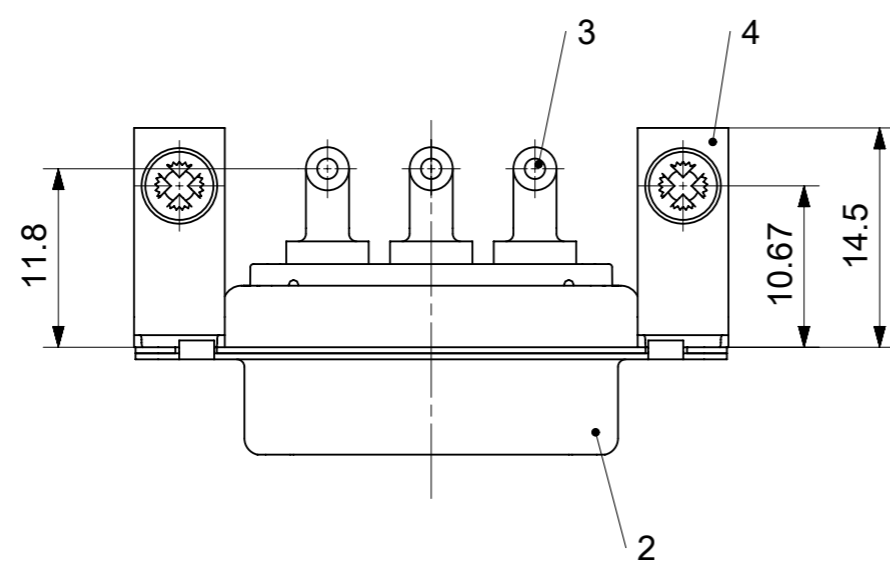
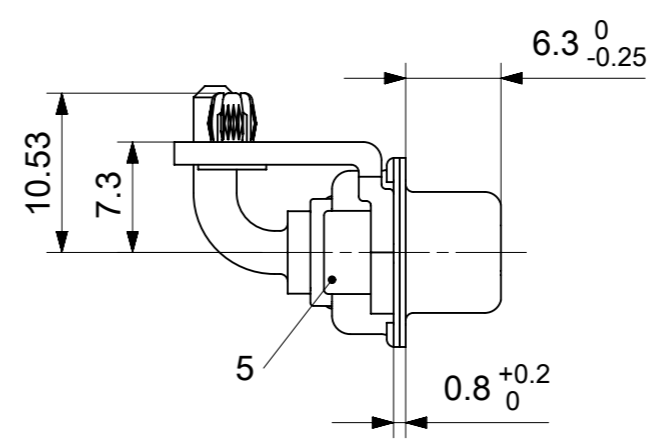
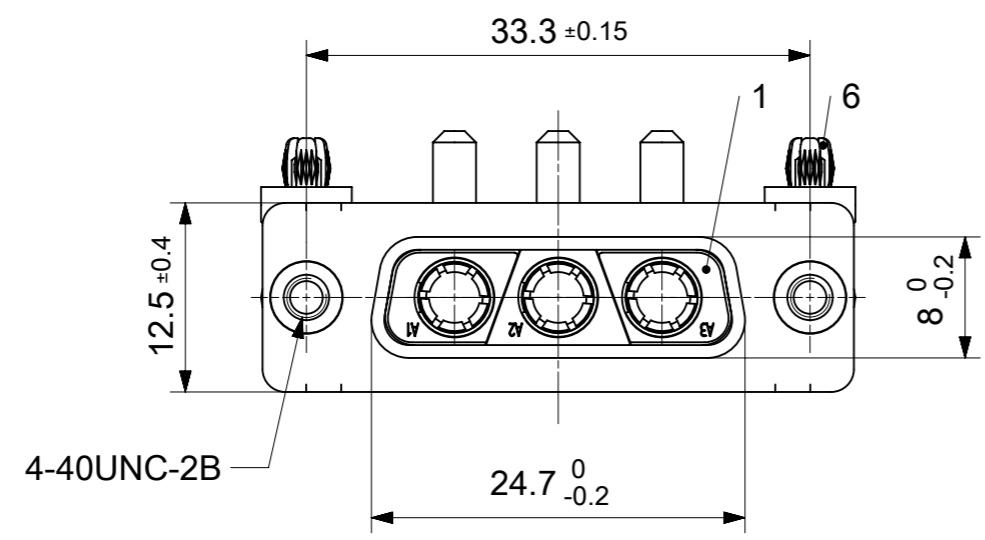
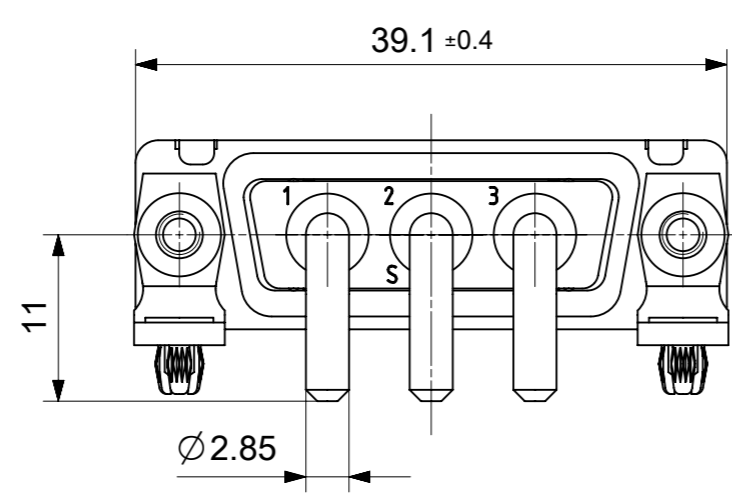
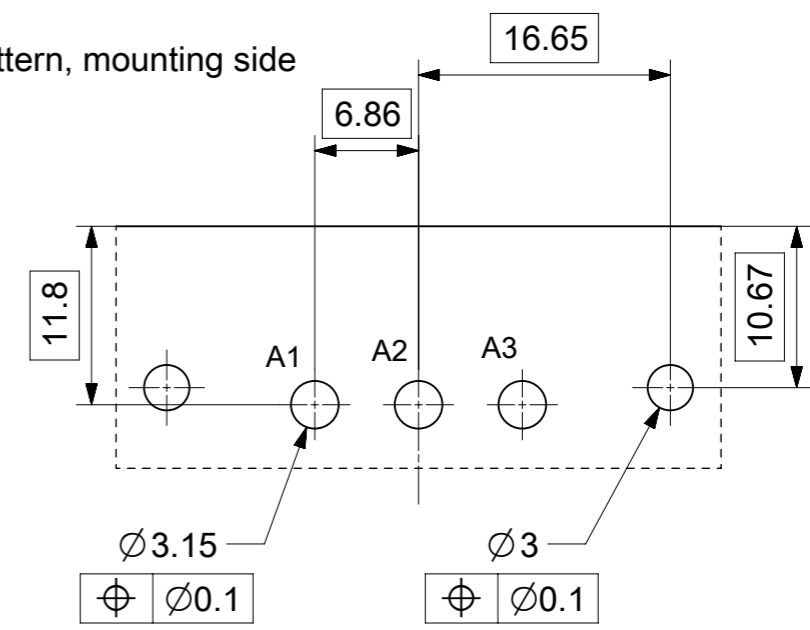


RoHS compliant  
by exemption



PCB hole pattern, mounting side



|     |     |                    |                                    |                                 |
|-----|-----|--------------------|------------------------------------|---------------------------------|
| 6   | 2   | Snap-in rivet      | PCB 1.6mm / Brass                  | tin plated                      |
| 5   | 2   | Clinch nut         | MW 4-40 / Steel                    | tin plated                      |
| 4   | 2   | Bracket            | F1080-13B / Steel                  | tin plated                      |
| 3   | 3   | High power contact | FMP008S104R                        | 20A                             |
| 2   | 1   | Shell              | Steel                              | tin plated                      |
| 1   | 1   | Insulator          | PBT (-55°C to +130°C) acc. UL94V-0 | black                           |
| No. | Pc. | Part               | Type Description/Material          | Surface plating/<br>Color/Class |

MEASUREMENTS WITHOUT TOLERANCE ACC TO ISO 2768-m REPLACEMENT FOR DOCUMENT NUMBER: F3W3SC-1640

|                    |   |   |                             |                             |
|--------------------|---|---|-----------------------------|-----------------------------|
| FUNCTIONAL SYMBOLS | THIS DRAWING CONTAINS INFORMATION THAT IS PROPRIETARY TO MOLEX ELECTRONIC TECHNOLOGIES, LLC AND SHOULD NOT BE USED WITHOUT WRITTEN PERMISSION                       | CURRENT REV DESC:   |                             | <b>molex</b>                |
|                    | DIMENSION UNITS: mm<br>SCALE: 2:1<br>GENERAL TOLERANCES (UNLESS SPECIFIED):<br>ANGULAR TOL ± °<br>4 PLACES ±<br>3 PLACES ±<br>2 PLACES ±<br>1 PLACE ±<br>0 PLACES ± | EC NO: 727306<br>DRWN: MSTEINBRUECK 2022/11/07<br>CHK'D: MTEUBEL 2022/11/08<br>APPR: MTEUBEL 2022/11/08 |                             |                             |
| DIVISIONAL SYMBOLS | DRAFT WHERE APPLICABLE MUST REMAIN WITHIN DIMENSIONS  | FIRST ANGLE PROJECTION  | DRAWING: A3-SIZE            | PRODUCT CUSTOMER DRAWING    |
|                    |   |   | SERIES: 173107              | DOCUMENT NUMBER: 1731070806 |
|                    |   |   | MATERIAL NUMBER: 1731070806 | DOC TYPE: PSD               |
|                    |   |   | CUSTOMER: GENERAL MARKET    | DOC PART: 000               |
|                    |   |   |                             | REVISION: A1                |
|                    |   |   |                             | SHEET NUMBER: 1 OF 1        |