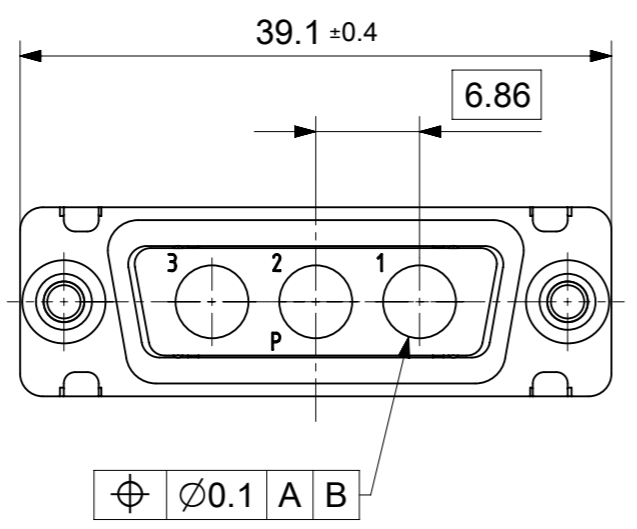
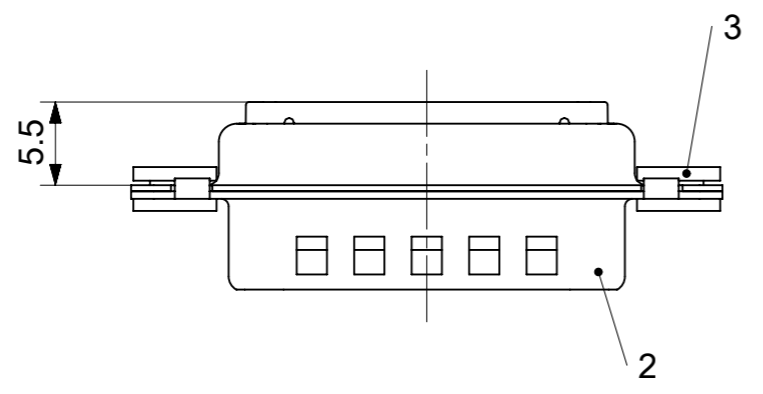
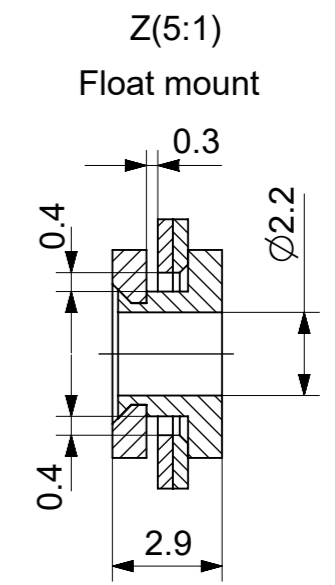
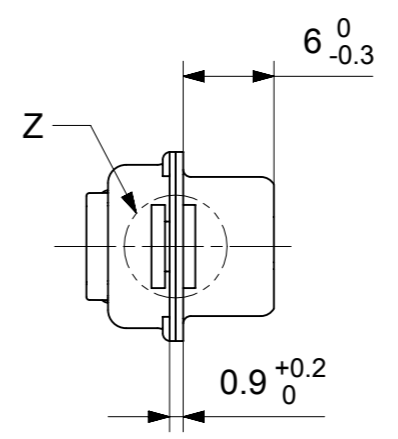
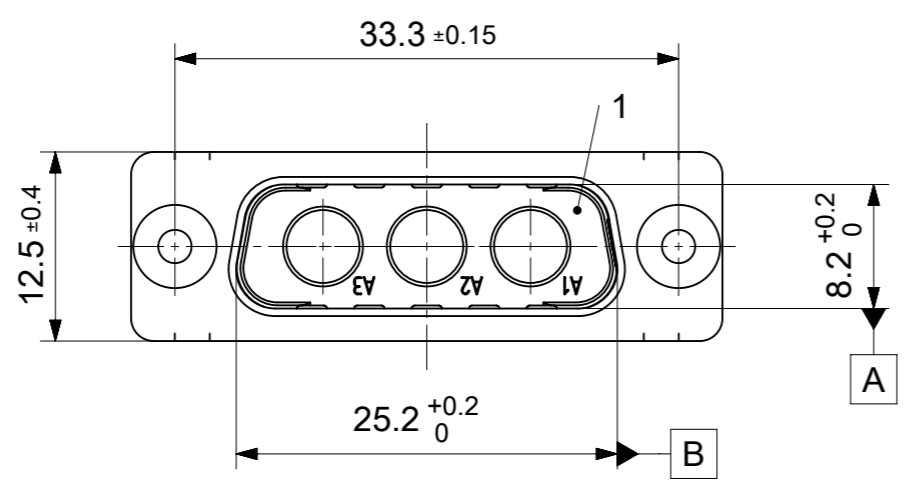


RoHS compliant



⊕ Ø0.1 A B

3	2	Float mount	Stainless steel	blank
2	1	Shell	Steel	tin plated
1	1	Insulator	PBT (-55°C to +130°C) acc. UL94V-0	green
No.	Pc.	Part	Type Description/Material	Surface plating/Color/Class

MEASUREMENTS WITHOUT TOLERANCE ACC TO ISO 2768-m REPLACEMENT FOR DOCUMENT NUMBER: FMW3W3P-K120

FUNCTIONAL SYMBOLS	THIS DRAWING CONTAINS INFORMATION THAT IS PROPRIETARY TO MOLEX ELECTRONIC TECHNOLOGIES, LLC AND SHOULD NOT BE USED WITHOUT WRITTEN PERMISSION	CURRENT REV DESC:		molex					
	<table border="1"> <tr> <th>DIMENSION UNITS</th> <th>SCALE</th> </tr> <tr> <td>mm</td> <td>2:1</td> </tr> </table>	DIMENSION UNITS	SCALE		mm	2:1	EC NO: 727306		FCT D-SUB MIXED-LAYOUT CONNECTOR FCT PART NUMBER: FMW3W3P-K120
	DIMENSION UNITS	SCALE							
	mm	2:1							
GENERAL TOLERANCES (UNLESS SPECIFIED)		DRWN: MSTEINBRUECK 2022/11/04							
ANGULAR TOL ± °		CHK'D: MTEUBEL 2022/11/08							
DIVISIONAL SYMBOLS	4 PLACES ±	APPR: MTEUBEL 2022/11/08	PRODUCT CUSTOMER DRAWING						
	3 PLACES ±	INITIAL REVISION:	DOCUMENT NUMBER	DOC TYPE					
	2 PLACES ±	DRWN: SKANDB 2022/05/13	1731070411	PSD					
	1 PLACE ±	APPR: MTEUBEL 2022/09/28	000	A1					
0 PLACES ±		DRAFT WHERE APPLICABLE MUST REMAIN WITHIN DIMENSIONS	SHEET NUMBER	1 OF 1					
FIRST ANGLE PROJECTION		DRAWING	SERIES	MATERIAL NUMBER					
FIRST ANGLE PROJECTION		A3-SIZE	173107	1731070411					
DRAWING		CUSTOMER	GENERAL MARKET						