

1730 Energy Logger

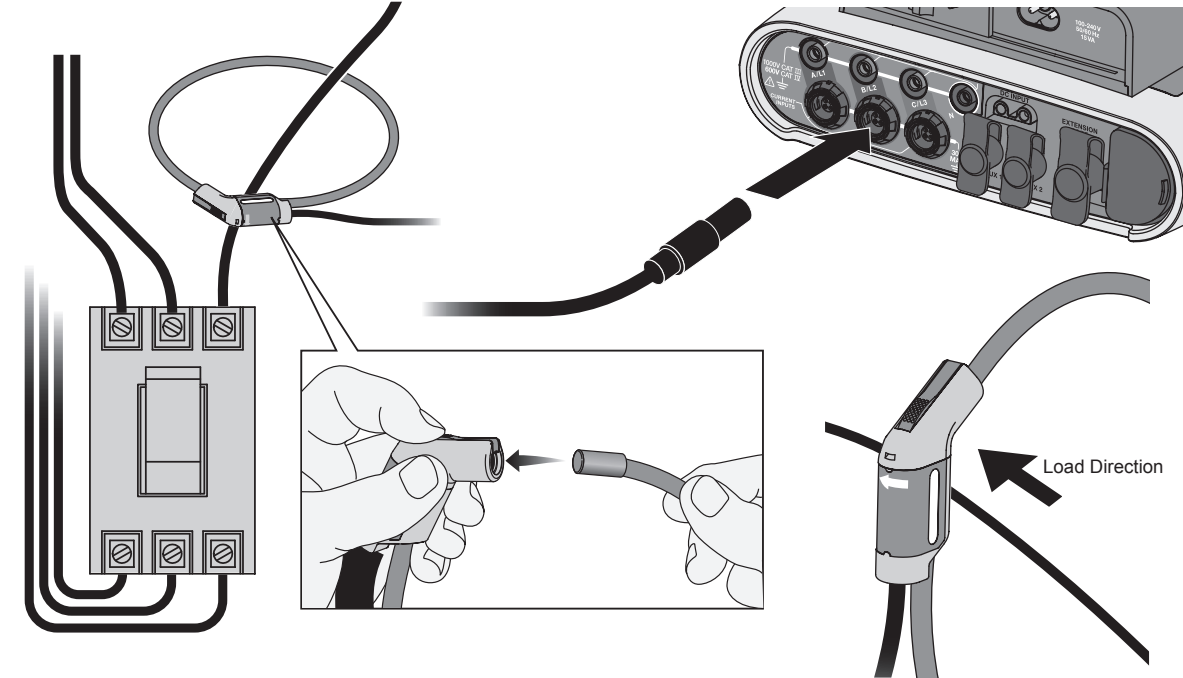
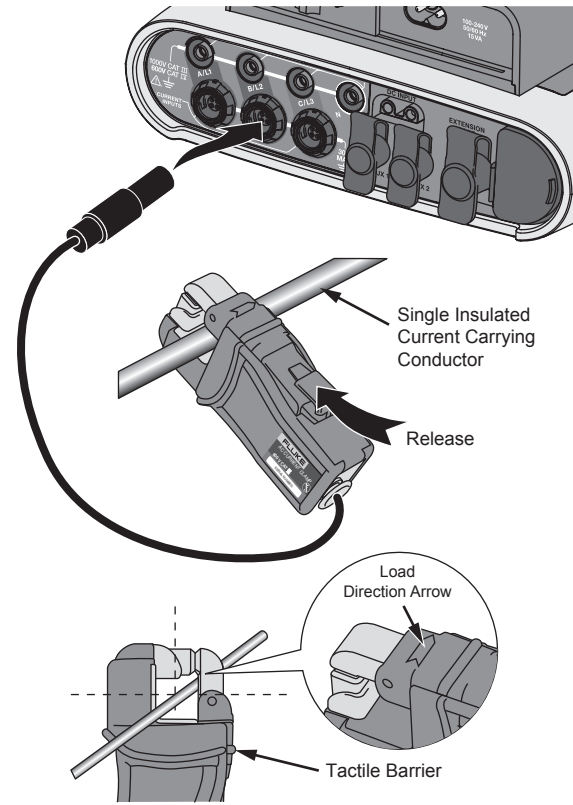
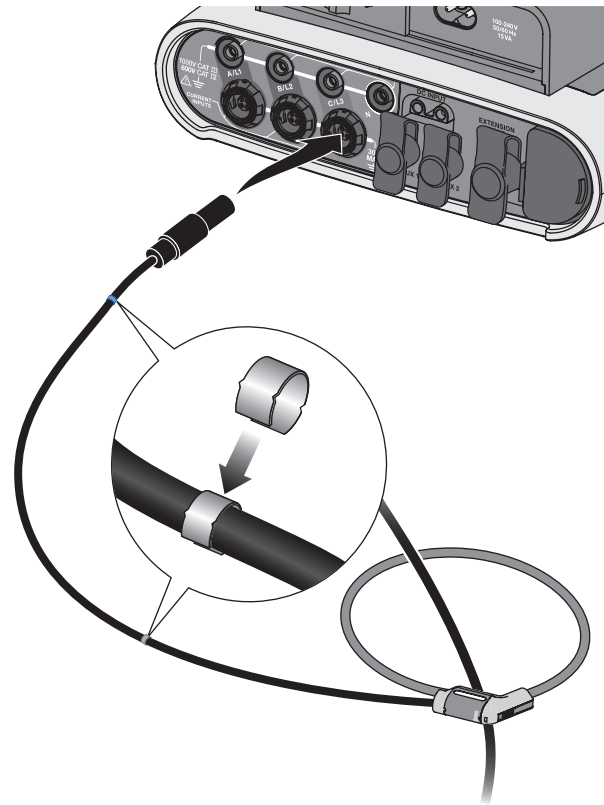
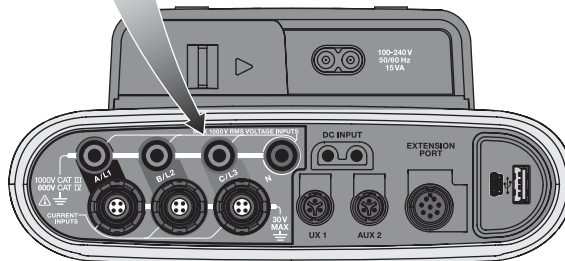
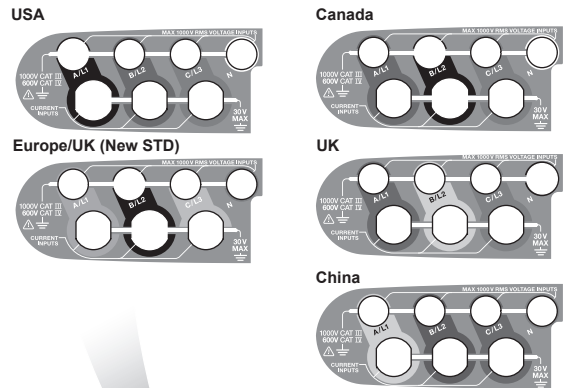
Quick Reference Guide

⚠️ Warning

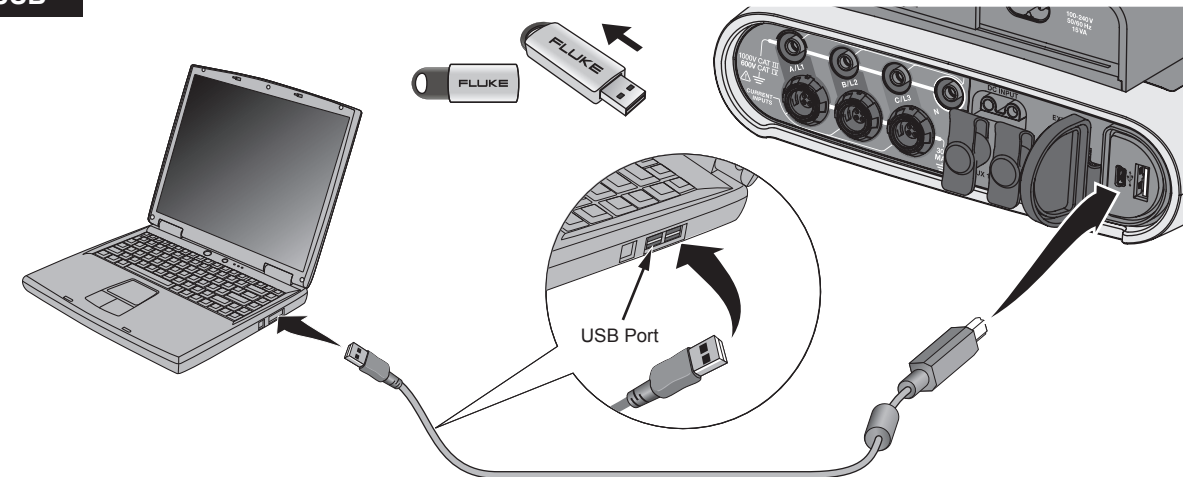
To prevent possible electrical shock, fire, or personal injury, read the "1730 Safety Information" before you use this Product.

Go to www.fluke.com to register your product, download manuals, and find more information.

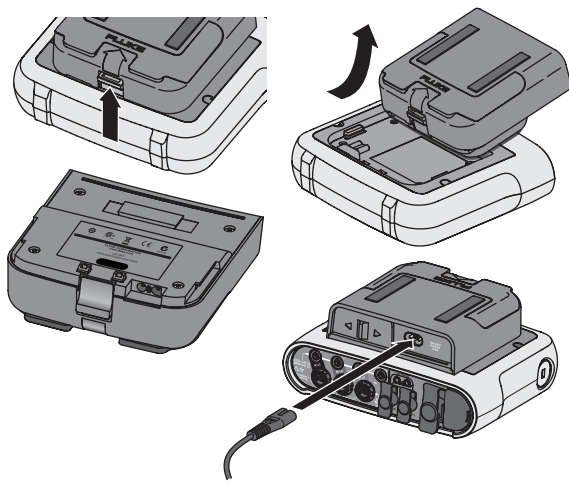
Setup



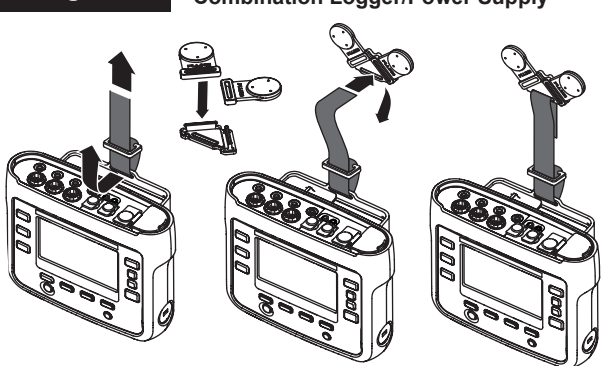
USB



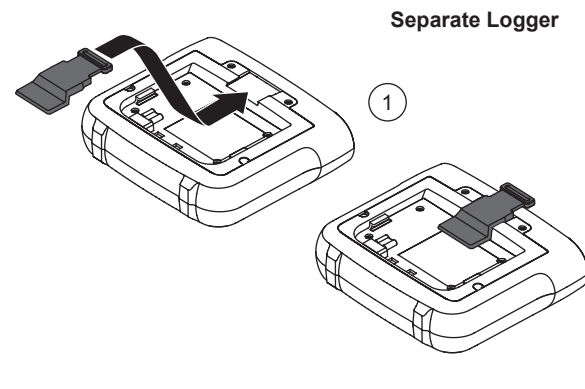
Power Supply



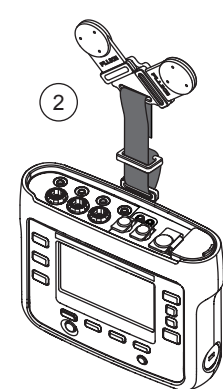
Hanger Kit



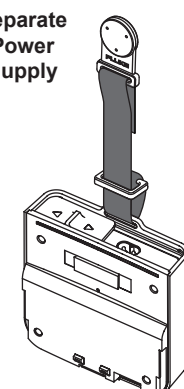
Combination Logger/Power Supply



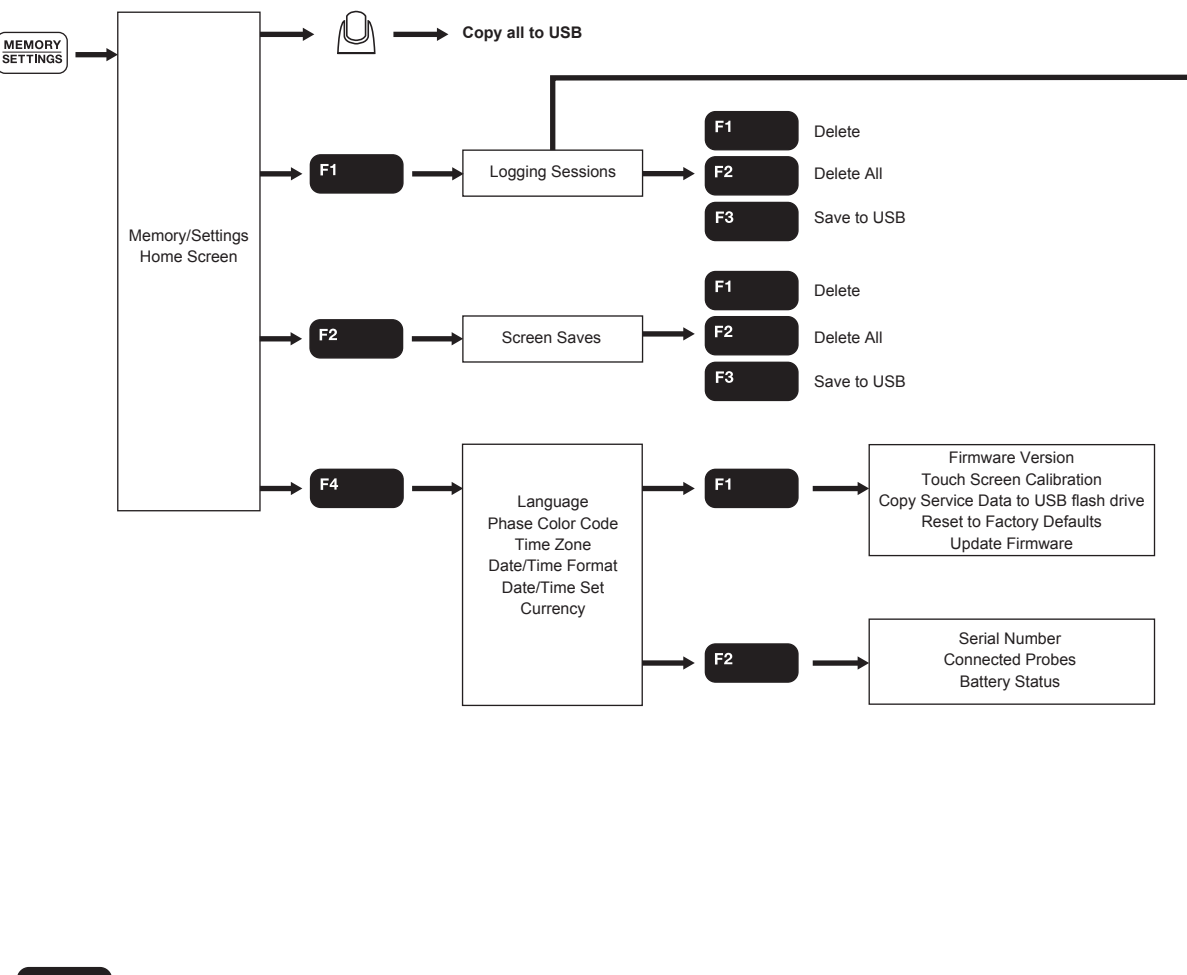
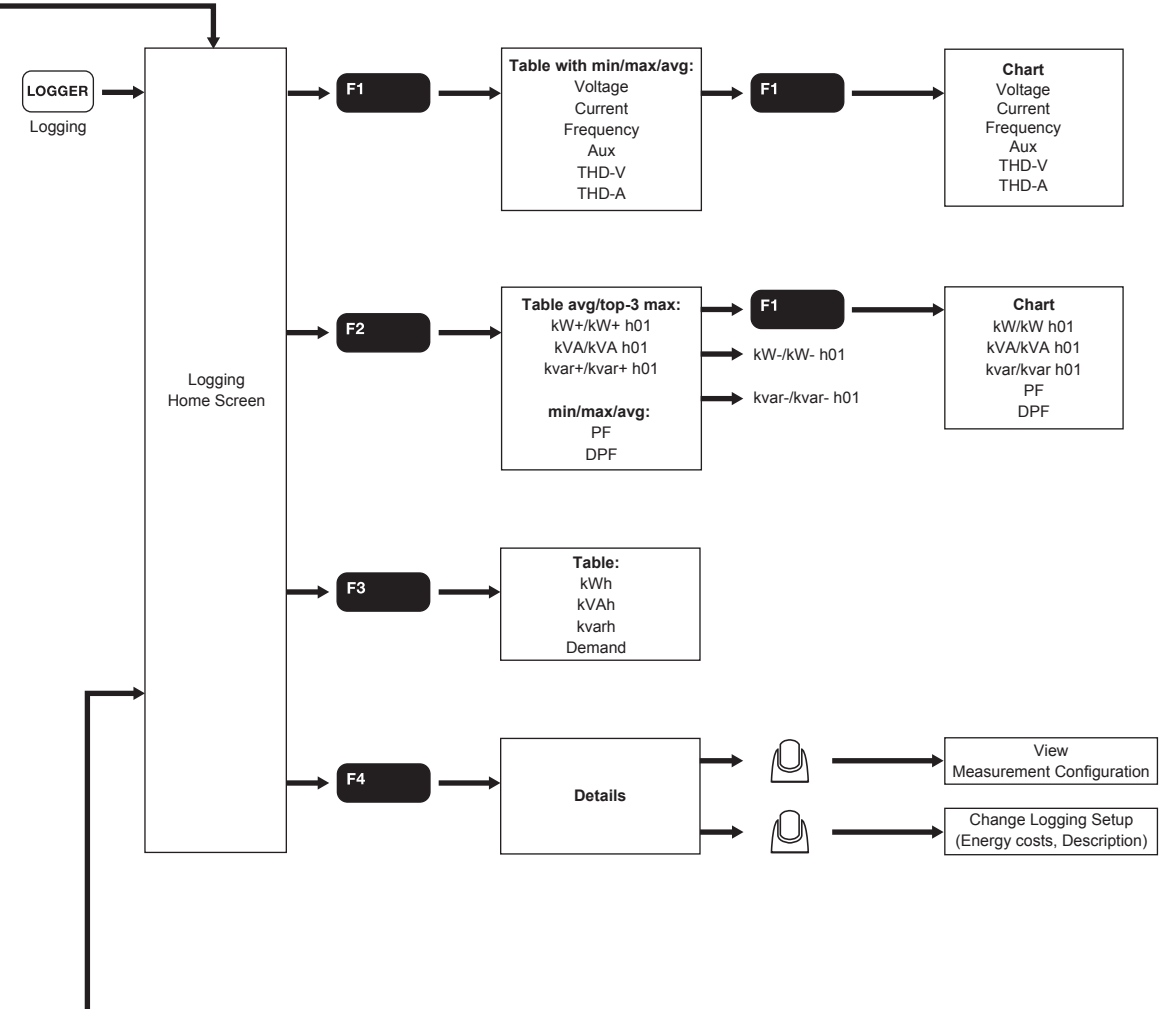
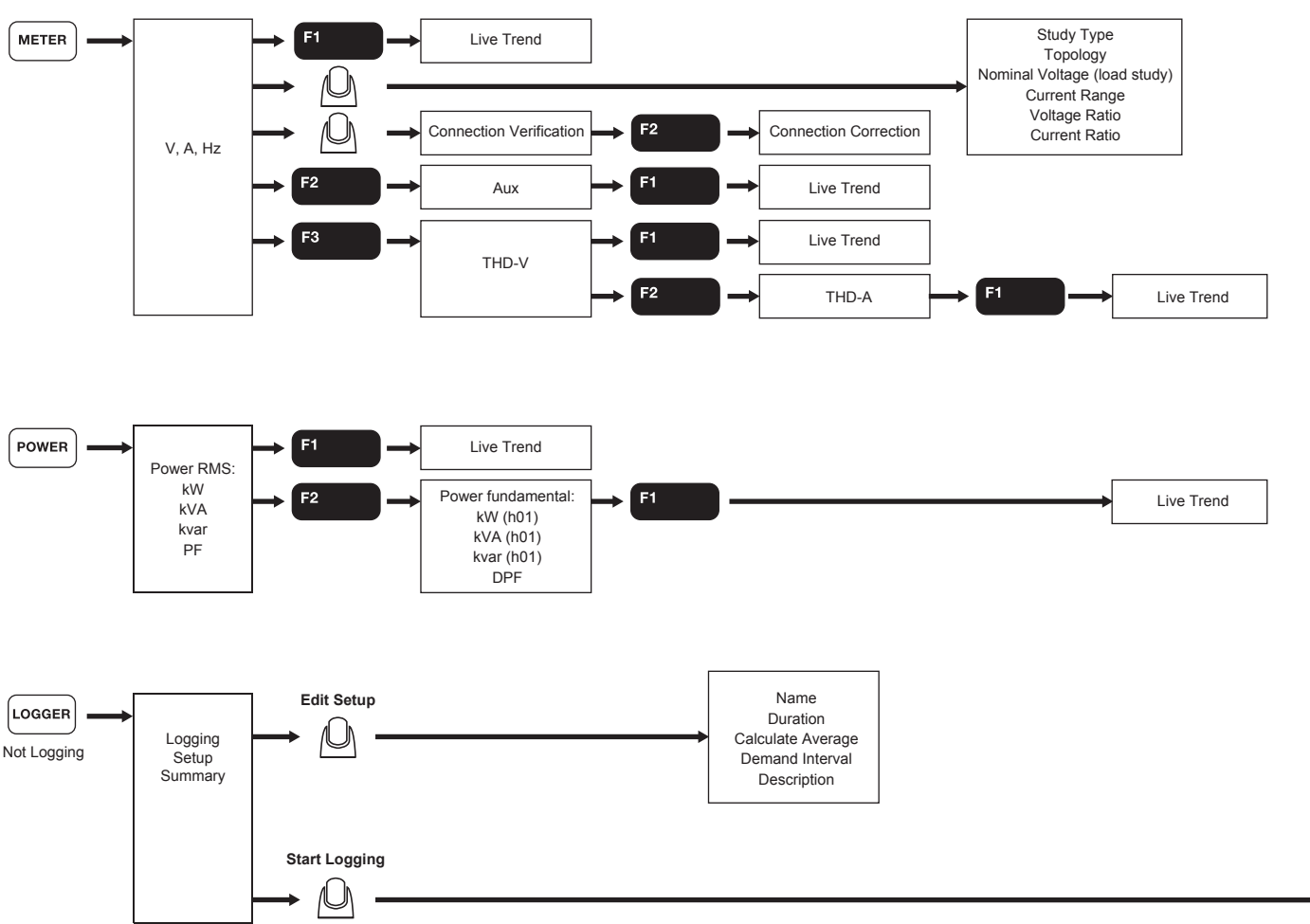
Separate Logger



Separate Power Supply



Menu



SAVE ENTER