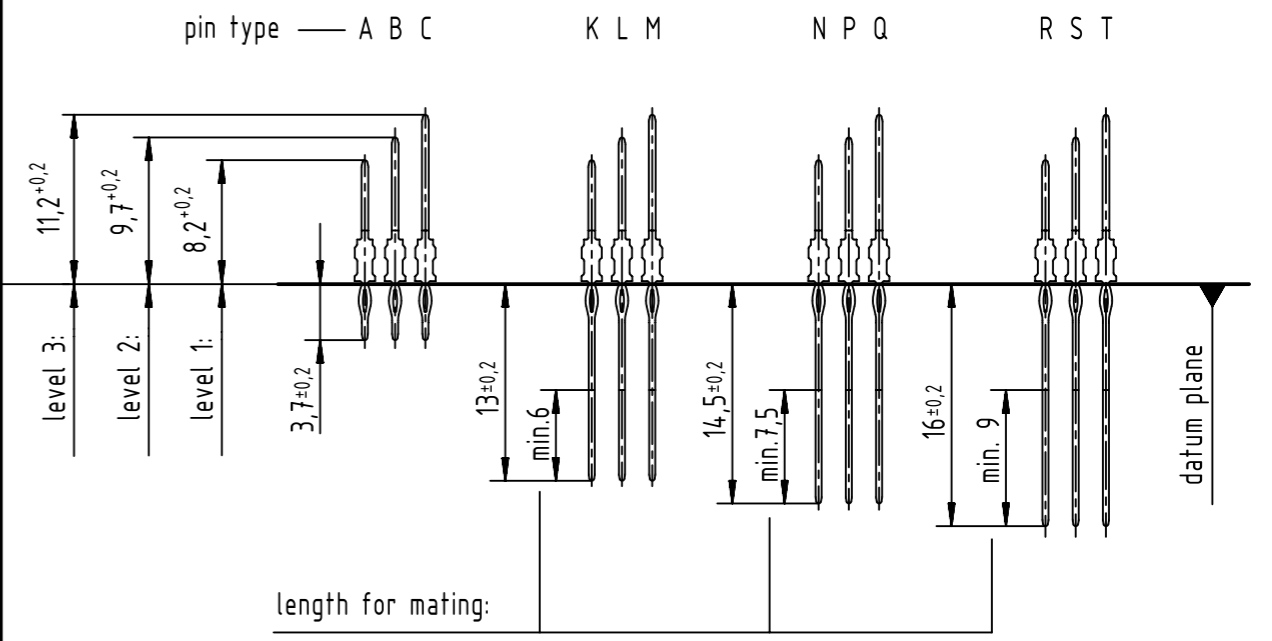
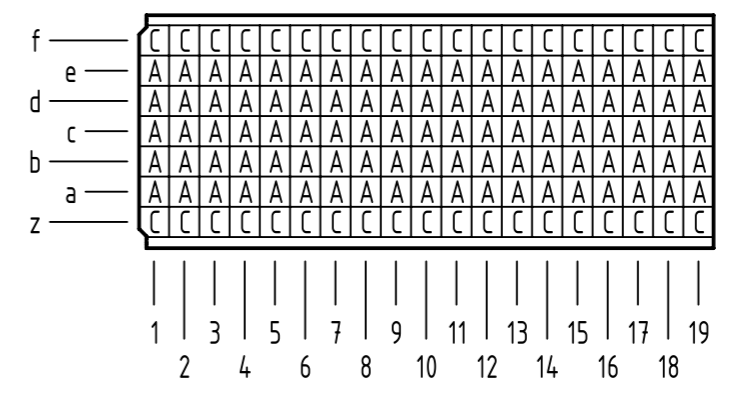


contact dimensions

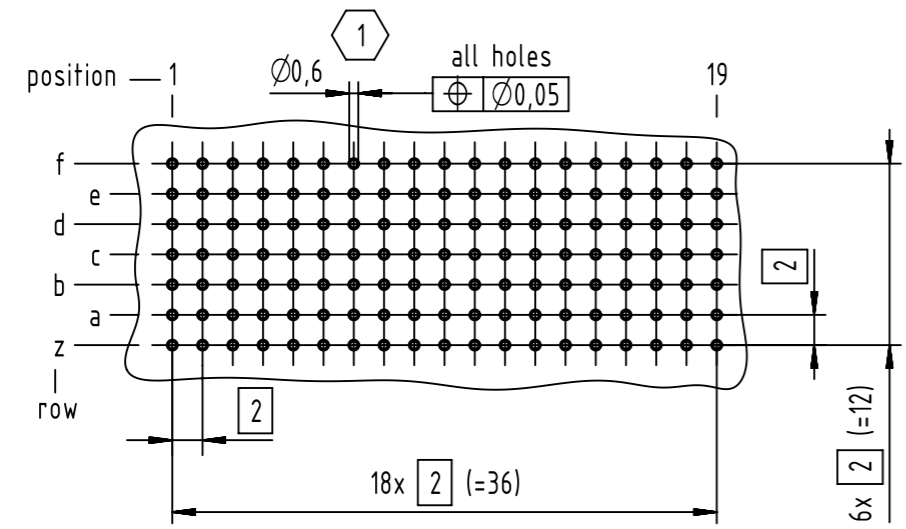
(mating and termination length of contacts apply to pressed in connectors)



contact loading



board drillings



17 05 133 5201	Au50
17 05 133 4201	NM30 (S4)
17 05 133 2201	2
17 05 133 1201	1
part no.	performance level 1

1 recommended configuration of plated through holes and further information see: DS 17001100101

<p>All rights reserved Department EL PD</p>	<p>All Dimensions in mm Original Size DIN A3</p>	<p>Scale 2:1</p>	<p>Free size tol. IEC 61076-4-101</p>	<p>Ref. Sub. TB 17 05 133 x201 / Mod. 35967 / 08.01.2010</p>
	<p>Created by STORCK</p>	<p>Inspected by LEHNERT</p>	<p>Standardisation HOFFMANN</p>	<p>Date 2019-02-28</p>
<p>HARTING Electronics GmbH D-32339 Espelkamp</p>	<p>Title har-bus HM male type B-19 term. length 3.7 133-pole</p>			<p>Doc-Key / ECM-Nr. 100074073/UGD/052/B 50000014.1026</p>
<p>Type TB</p>	<p>Number 1705133X201</p>	<p>Rev. B</p>	<p>Page 1/1</p>	