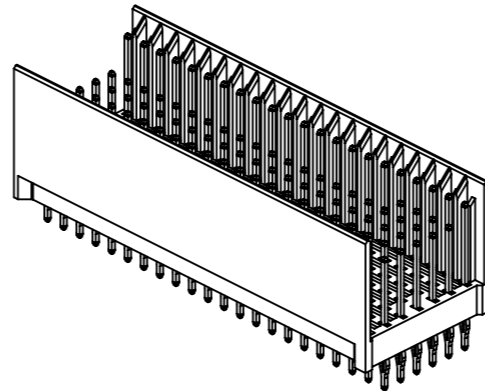
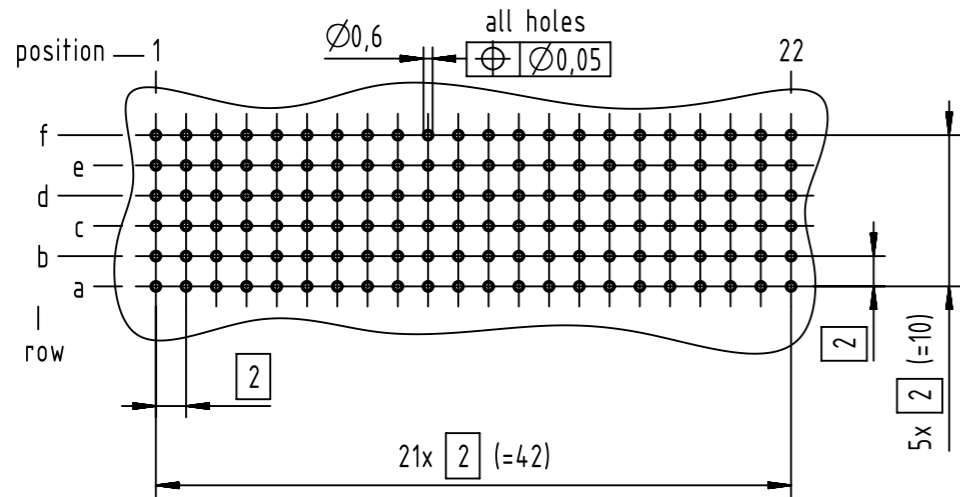


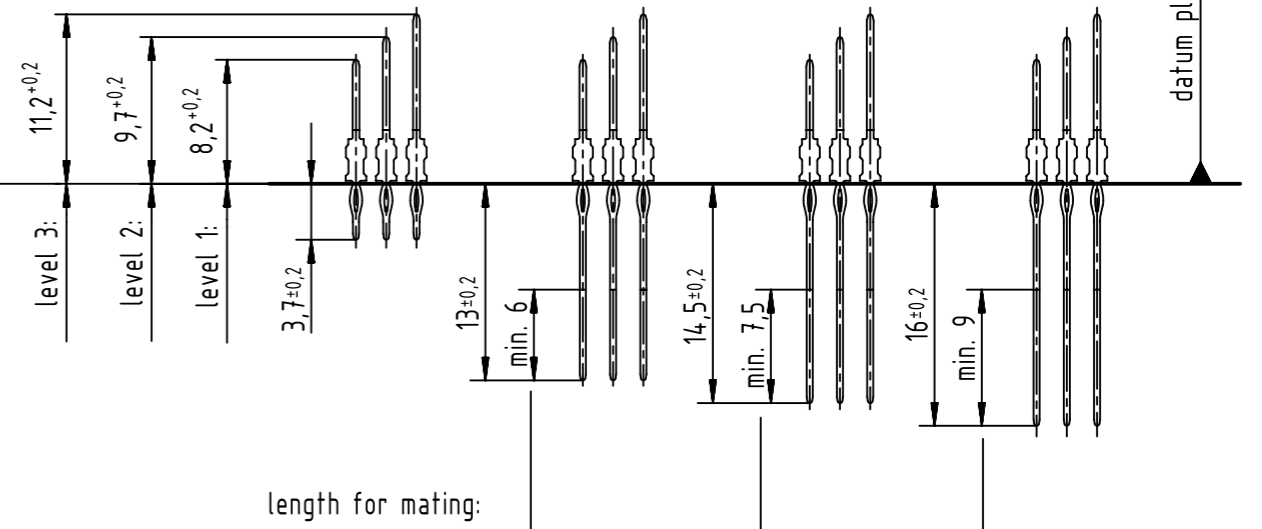
board drillings



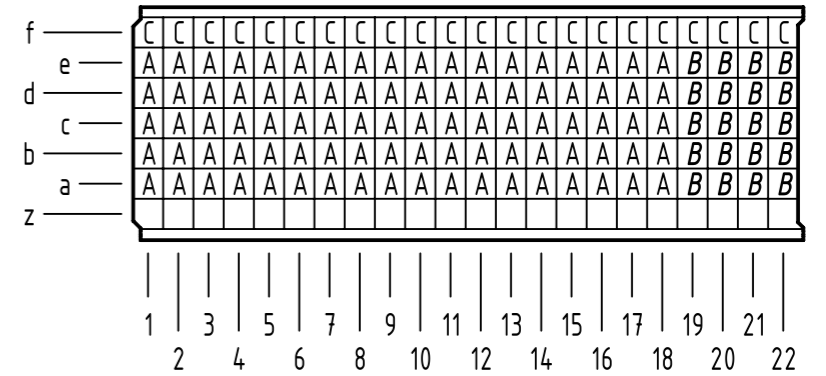
contact dimensions

(mating and termination length of contacts apply to pressed in connectors)

pin type — A B C K L M N P Q R S T



contact loading



1 recommended configuration of plated through holes and further information see: DS 17001100101

17 04 132 2201	2
part no.	performance level 1

	All rights reserved	Created by STORCK	Inspected by LEHNERT	Standardisation HOFFMANN	Date 2020-05-28	State Final Release	Doc-Key / ECM-Nr. 100074166/UGD/038/B 500000173684
	Department EL PD	Title har-bus HM male type B-22 term. length 3.7 132-pole			Type TB	Number 1704132X201	
All Dimensions in mm Original Size DIN A3		Scale 2:1	Free size tol. IEC 61076-4-101	Ref. Sub. TB 17 04 132 x201 / Mod. 35965 / 05.01.2010			
HARTING Electronics GmbH D-32339 Espelkamp						Page 1/1	