

SPECIFICATIONS:

ELECTRICAL:

CURRENT RATING:	5 AMPS
CONTACT RESISTANCE:	15 mOhms MAX.
INSULATION RESISTANCE:	1,000 MOhms MIN.
OPERATING TEMPERATURE:	-50°C TO +100°C
VOLTAGE:	500 VAC FOR 1 MINUTE

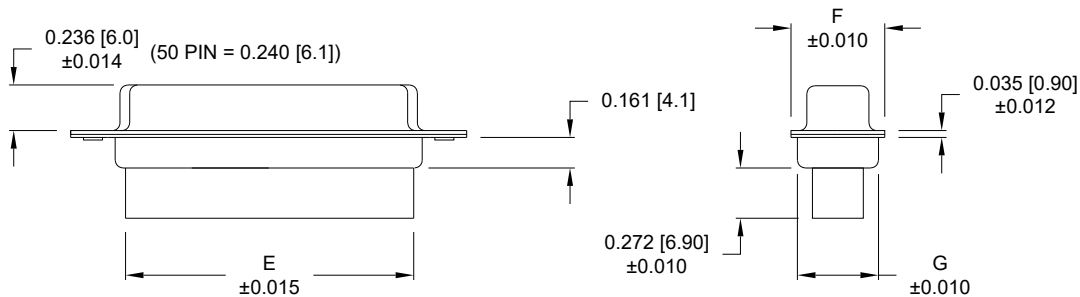
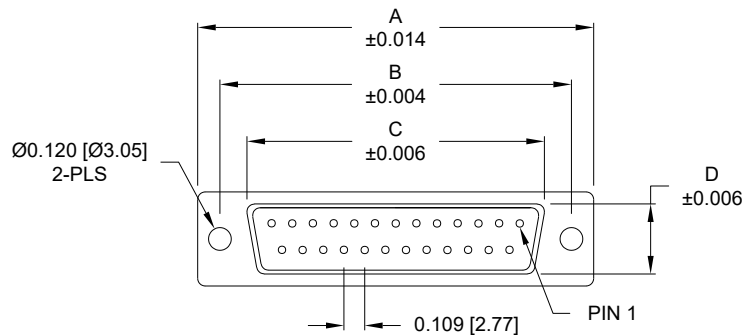
MATERIALS:

FRONT INSULATOR:	PBT-BLACK, UL94V-0 RATED
REAR INSULATOR:	PA66-BLACK, UL94V-0 RATED
PROCESS TEMP:	230°C
SHELL:	NICKEL PLATED STEEL

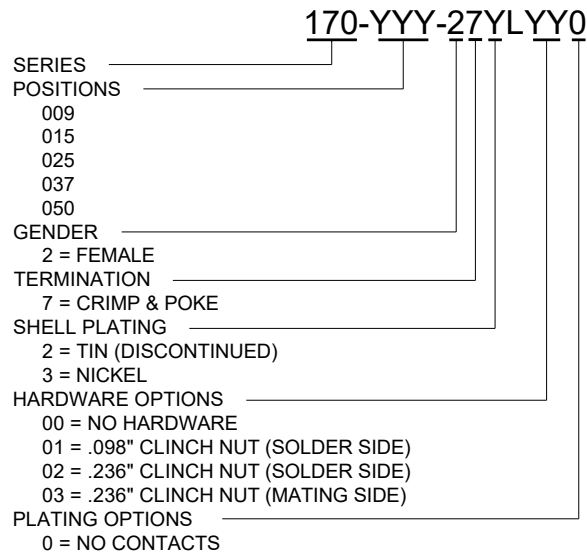
COMPATIBLE WITH NORCOMP CONTACT PART NUMBERS BELOW:

170-002-170L001	170-102-170L001
170-002-170L002	170-102-170L002
170-002-170L003	170-102-170L003
170-202-170L003	

****NOTE: CONTACTS MUST BE PURCHASED SEPARATELY****



		DIMENSIONS						
No. OF PINS	UNITS	A	B	C	D	E	F	G
9	inch	1.213	0.984	0.642	0.311	0.618	0.496	0.429
	mm	30.80	24.99	16.30	7.90	15.70	12.60	10.90
15	inch	1.541	1.312	0.970	0.311	0.933	0.496	0.429
	mm	39.15	33.32	24.65	7.90	23.70	12.60	10.90
25	inch	2.087	1.852	1.512	0.311	1.496	0.496	0.429
	mm	53.00	47.04	38.40	7.90	38.00	12.60	10.90
37	inch	2.728	2.500	2.157	0.311	2.142	0.496	0.429
	mm	69.30	63.50	54.80	7.90	54.40	12.60	10.90
50	inch	2.638	2.402	2.055	0.429	2.039	0.602	0.535
	mm	67.00	61.00	52.20	10.90	51.80	15.30	13.60



RoHS COMPLIANT

UNITS = inch [mm]

DO NOT SCALE FROM DRAWING



THESE DRAWINGS AND SPECIFICATIONS ARE THE PROPERTY OF NorComp AND SHALL NOT BE REPRODUCED, COPIED OR USED AS THE BASIS FOR THE MANUFACTURE OR SALE OF APPARATUS WITHOUT WRITTEN PERMISSION.

DRAWN:
P. JENKINS

DATE:
08/18/1998

NorComp

SCALE:
NTS

SHEET 1 OF 2

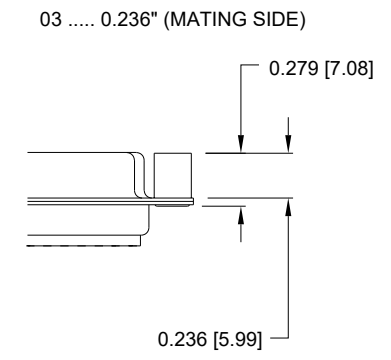
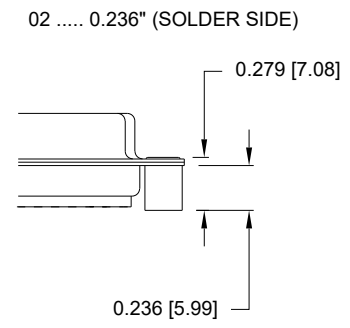
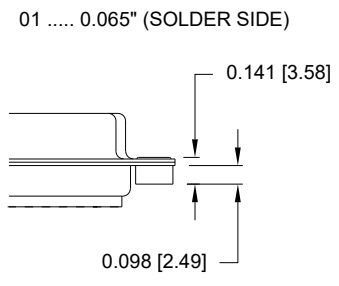
REV 17

DWG NO.

170-YYY-27YLYY0

ALL CLINCH-NUTS ARE 4-40 INTERNAL THREADS

TOLERANCE:
ALL DIMENSIONS ARE ±0.010



RoHS COMPLIANT

UNITS = inch [mm] DO NOT SCALE FROM DRAWING



THESE DRAWINGS AND SPECIFICATIONS ARE THE PROPERTY OF NorComp AND SHALL NOT BE REPRODUCED, COPIED OR USED AS THE BASIS FOR THE MANUFACTURE OR SALE OF APPARATUS WITHOUT WRITTEN PERMISSION.

DRAWN:
P. JENKINS
DATE:
08/18/1998

NorComp

SCALE: NTS	SHEET 2	OF 2	REV 17
DWG NO.		170-YYY-27YLYY0	