



Quality Products. Service Excellence.

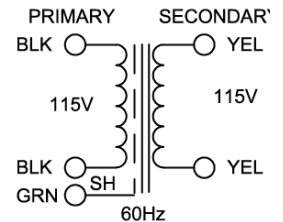
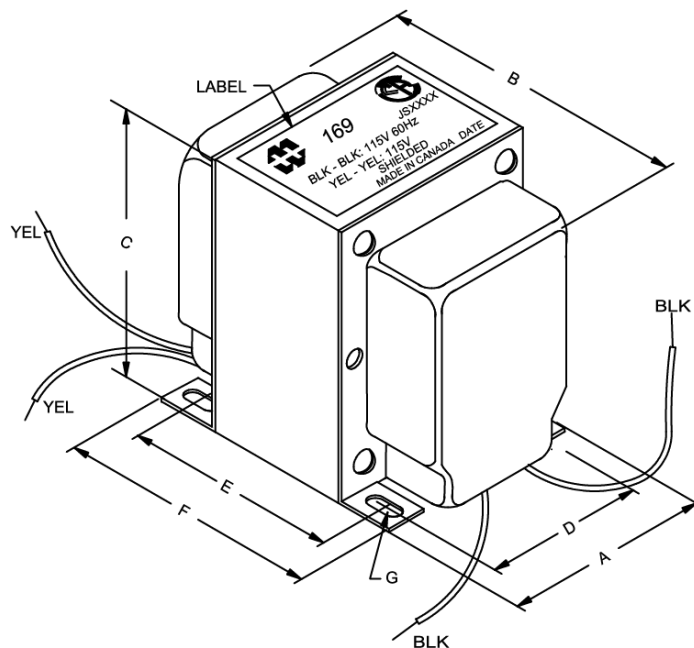
Isolation (115VAC to 115VAC) 169S Series

Hard Wired



Features

- Primary 115VAC, 60 Hz., Secondary 115VAC
- Electrostatic shield between primary & secondary
- Connection by flexible leads, 8" minimum length
- Perfect for circuit isolation or "Classic" bias power supply
- CSA certified (209651)



Part No.	Capacity		Secondary Current		Overall Dimensions				Weight	
	VA		ma		A	B	C	D	E	Lbs
169PS	15		130		1.88	2.07	2.50	1.50	1.19	1.3
169QS	40		260		2.19	2.50	2.63	1.75	1.44	2.5
169RS	60		435		2.50	2.75	3.06	2.00	1.69	3.3
169SS	90		650		2.50	3.25	3.06	2.00	2.19	4.5
169TS	135		870		3.13	3.50	3.81	2.50	2.19	6.5
169VS	175		1300.00		3.13	4.00	3.81	2.50	2.69	7
169WS	250		1700.00		3.75	4.00	4.56	3.00	2.81	12

Tags: line transformer, straight isolation, circuit isolation, bias, hard wired

Data subject to change without notice

