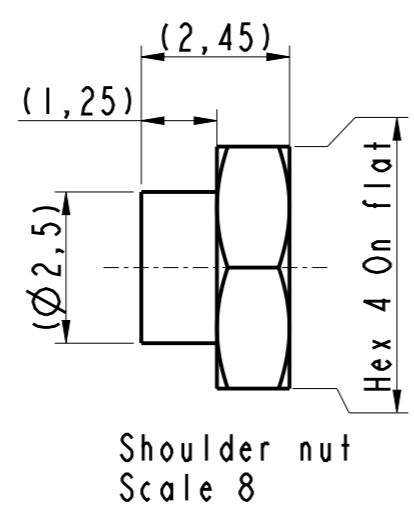
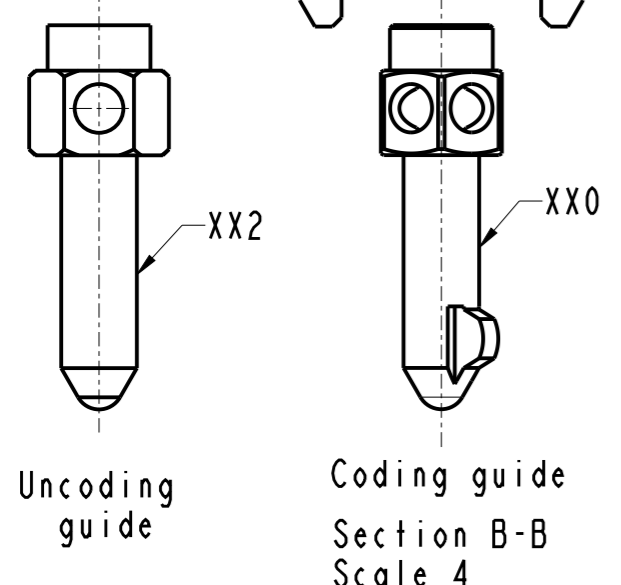
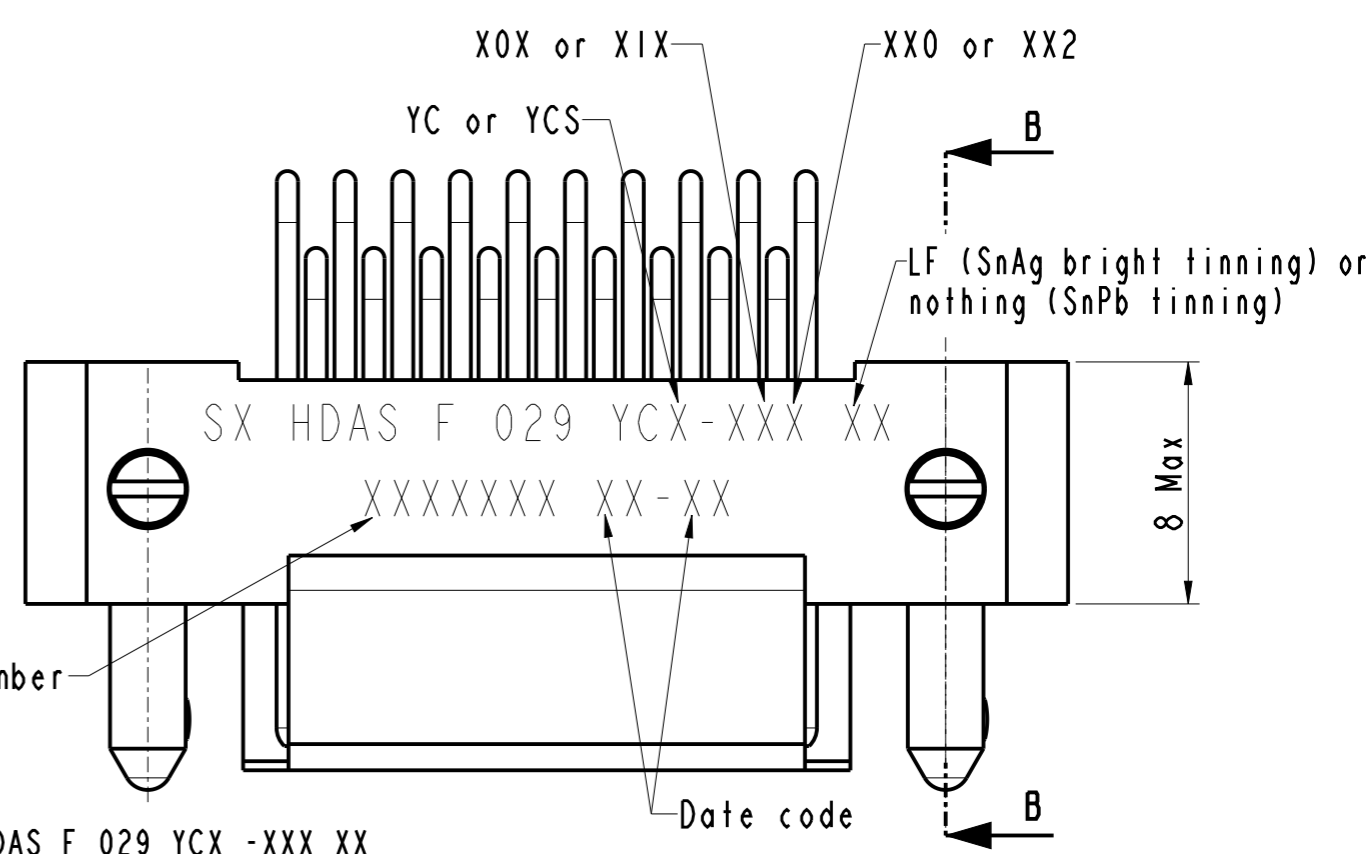
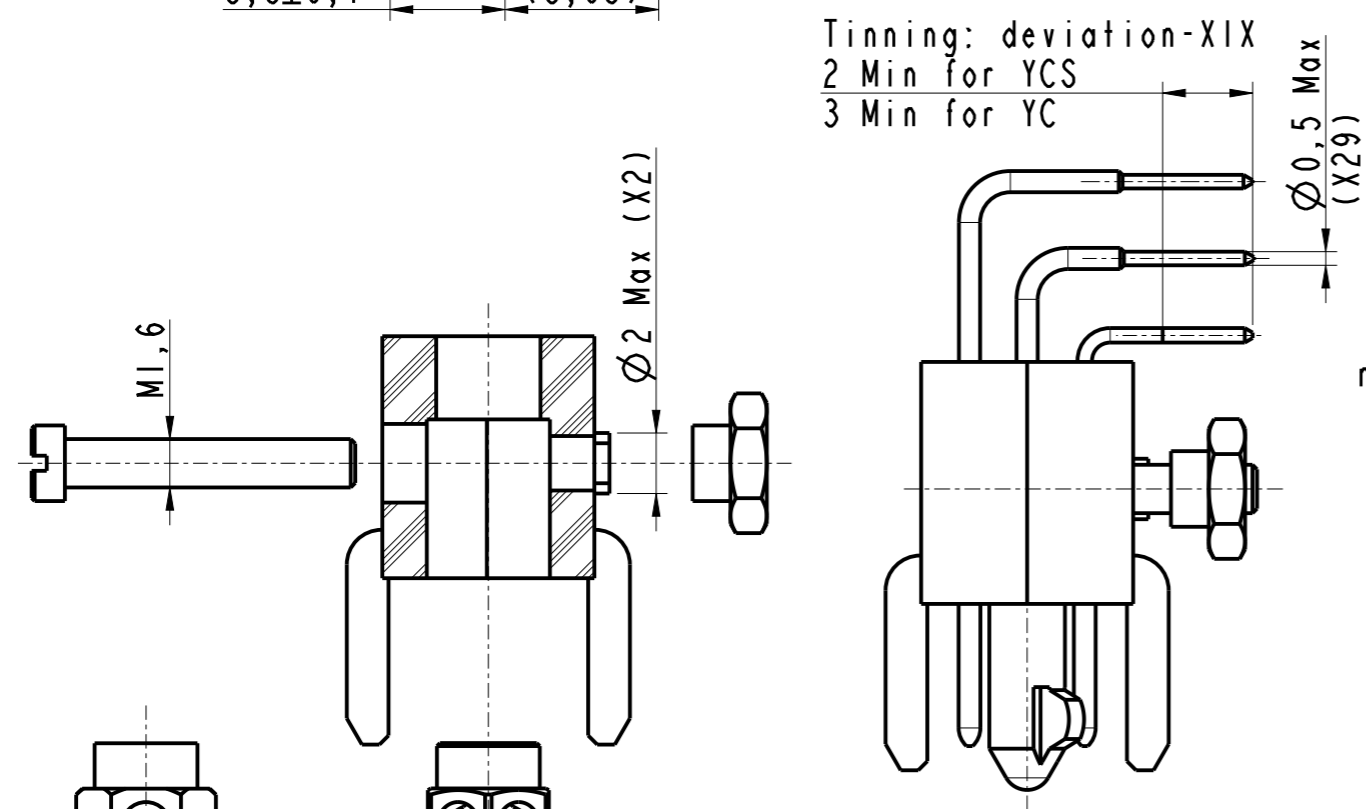
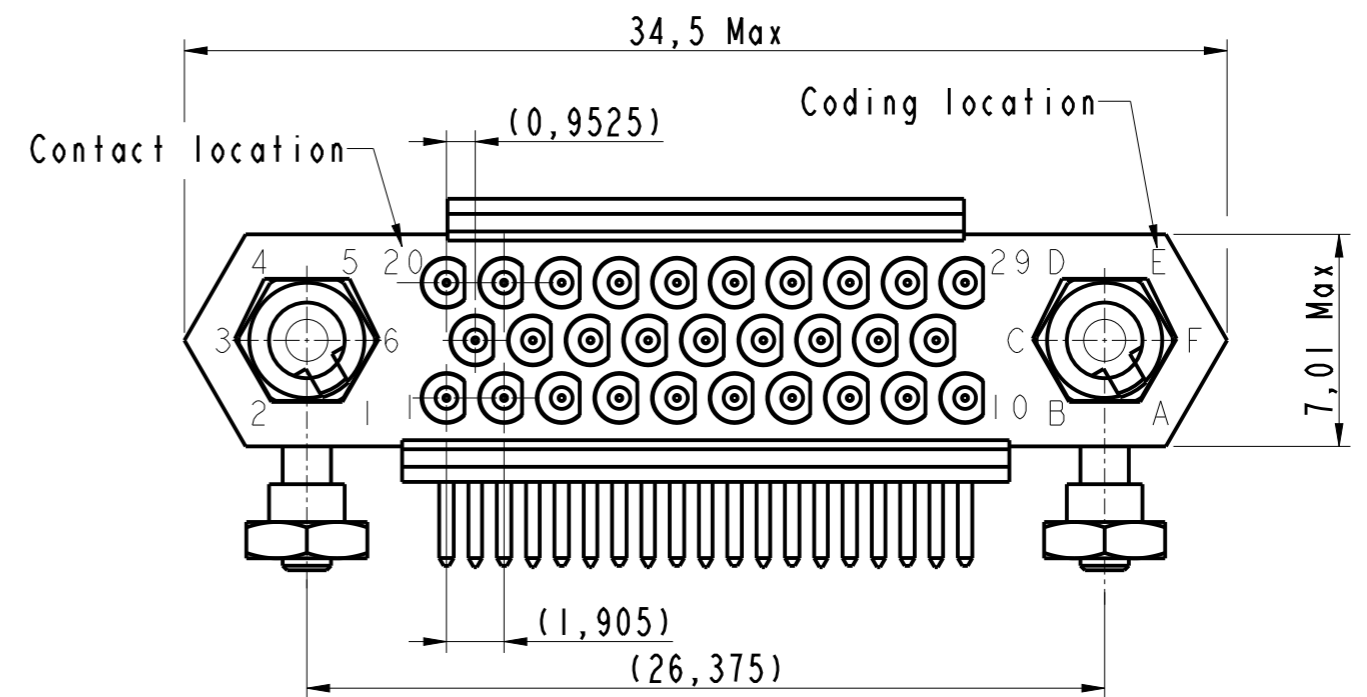
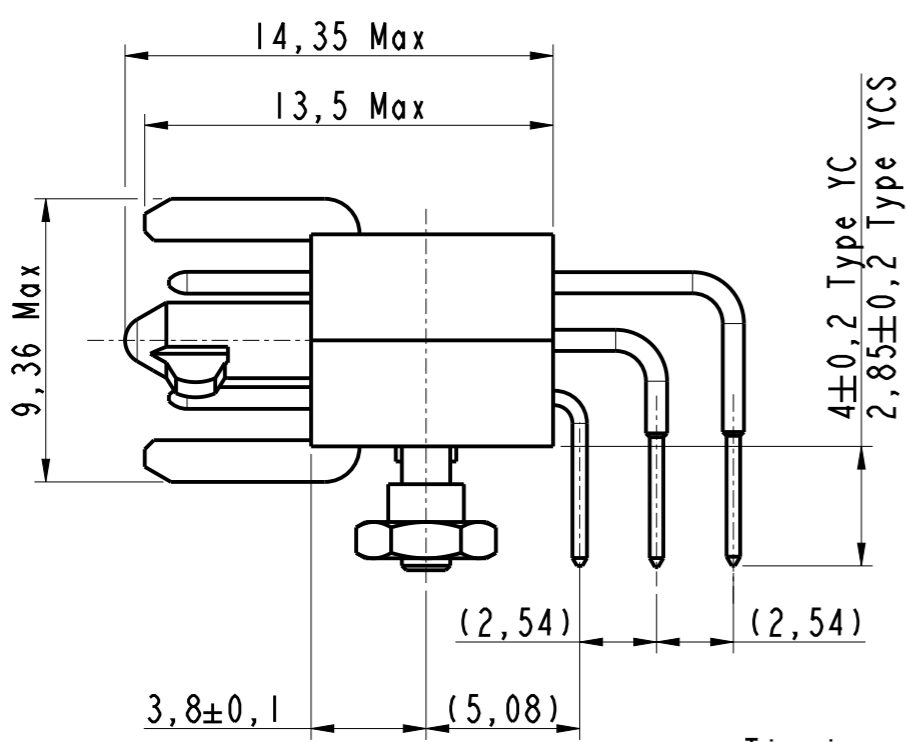


IN THE CONSTANT PURPOSE OF IMPROVING ITS PRODUCTS, AMPHENOL SOCAPEX RESERVES THE RIGHT TO MODIFY ANY DIMENSION OR CHARACTERISTICS.
FM.NPD.0036.THYEZ.PUNE rev C



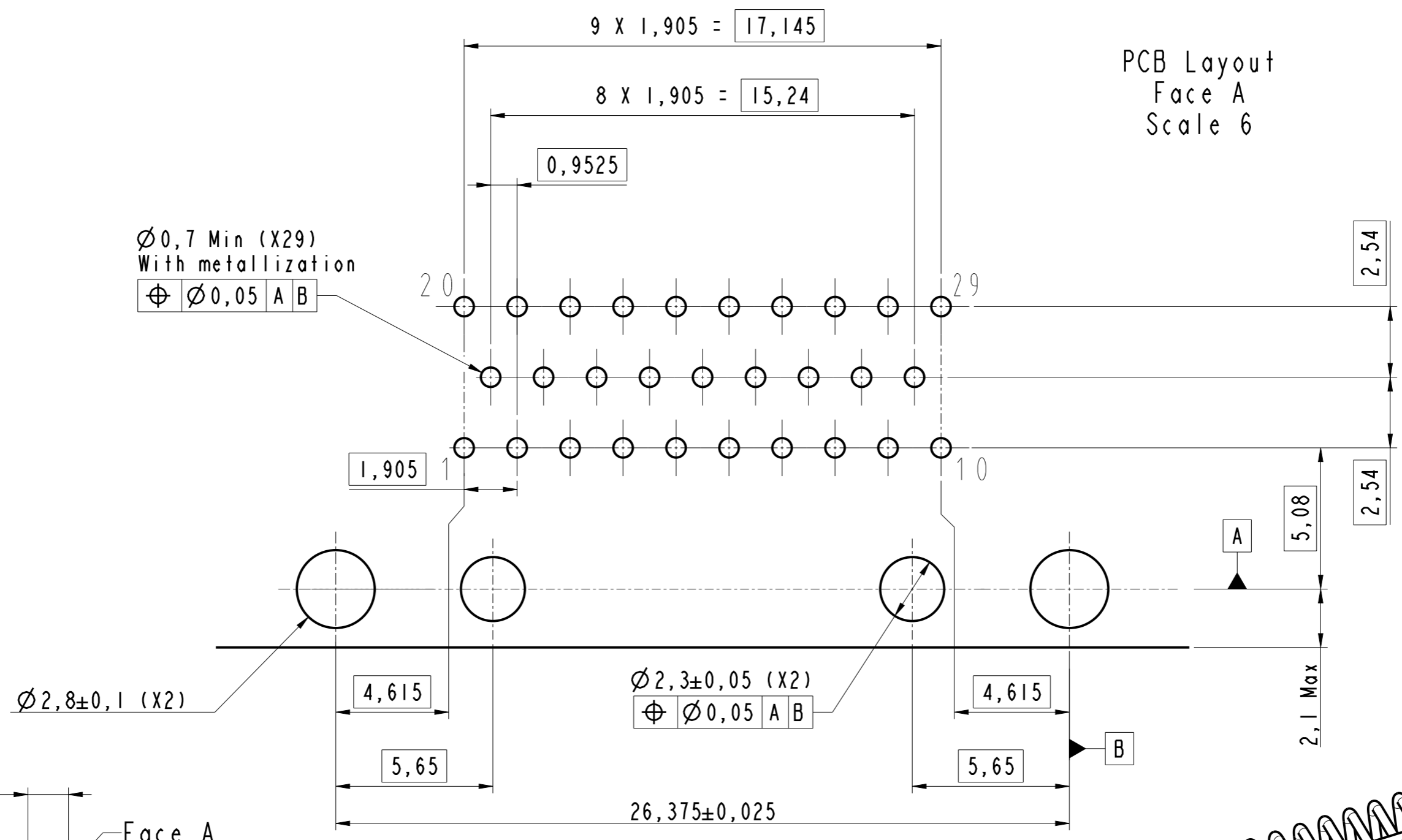
- Notes:
- Part : HDAS F 029 YCX -XXX XX
 - External dimensions for a male plug with 29 signal contacts type YCX
 - Connector delivered with fittings not assembled, coupling torque : 0,15 Nm
 - Standard OXX : Nickel plated over brass fittings.
Deviation IXX : Passivated stainless steel fittings.
 - Standard XOX : Contacts gold plated (RoHS)
Deviation XIX : Contacts fail Hot dip tinned SnPb (non RoHS) or SnAg (RoHS)

DRAWN BY: S Satpute		UPDATED BY: S Satpute		LAST APPROVED BY: T Carrier	
ALL DIMENSIONS ARE IN MM		AMPHENOL SOCAPEX		ORIGINAL DRAWING DATE: 03/09/19	CONFIGURATION DATA ARE AVAILABLE IN PDM
SCALE: 4				REV: C	PAGE: 1/2
		B.P. 29 74311 THYZE CEDEX		169-PLC-1401-00	

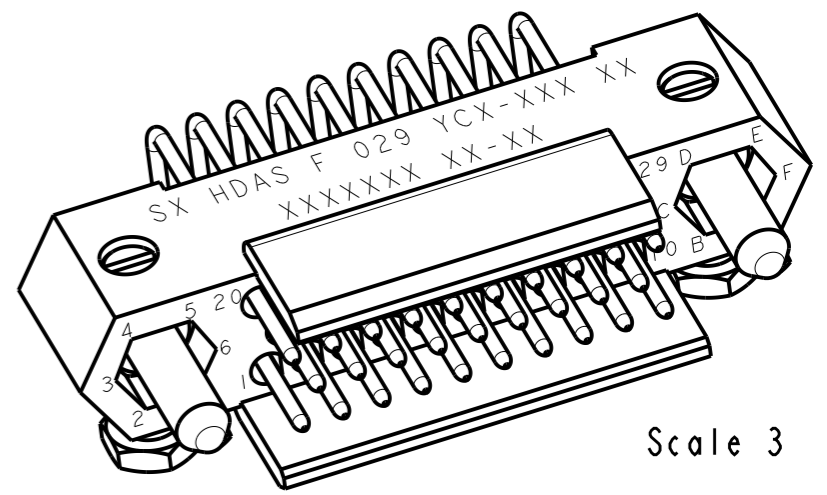
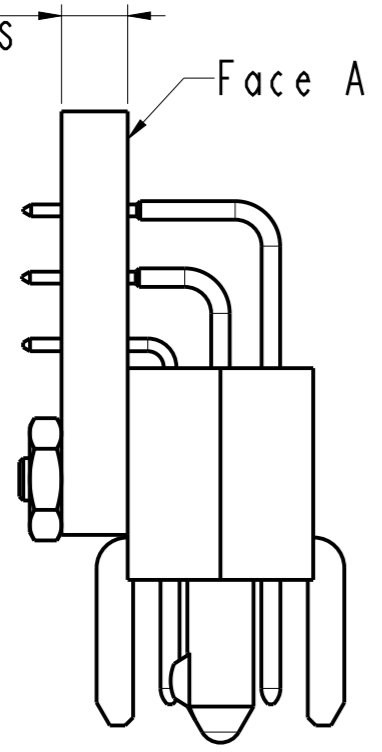
IN THE CONSTANT PURPOSE OF IMPROVING ITS PRODUCTS, Amphenol Socapex reserves the right to modify any dimension or characteristics. FM.NPD.0036.THYEZ.PUNE rev C

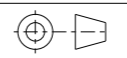
PCB Layout
Face A
Scale 6

$\varnothing 0,7$ Min (X29)
With metallization
 $\varnothing 0,05$ A B



2,8 Max Type YC
1,6 Max Type YCS



DRAWN BY : S Satpute		UPDATED BY : S Satpute		LAST APPROVED BY : T Carrier	
ALL DIMENSIONS ARE IN MM		AMPHENOL SOCAPEX		ORIGINAL DRAWING DATE : 03/09/19	CONFIGURATION DATA ARE AVAILABLE IN PDM
SCALE : 6				REV : C	PAGE : 2/2
		B.P. 29 74311 THYEZ CEDEX		169-PLC-1401-00	