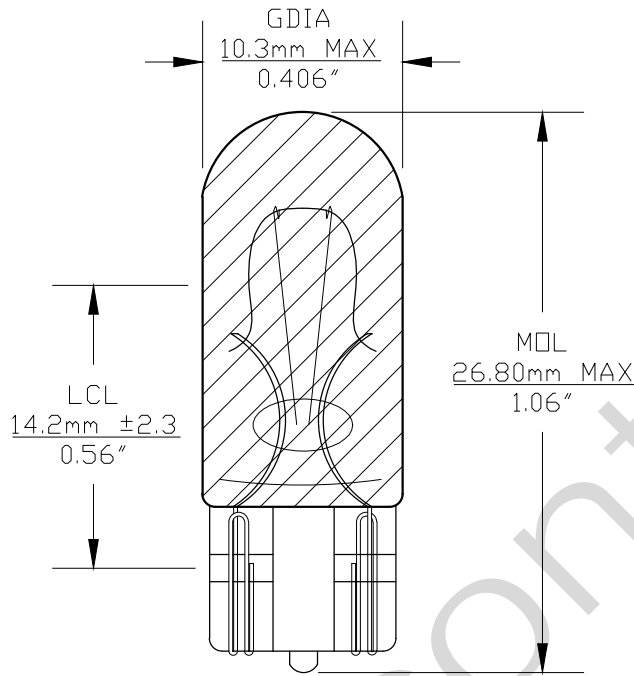
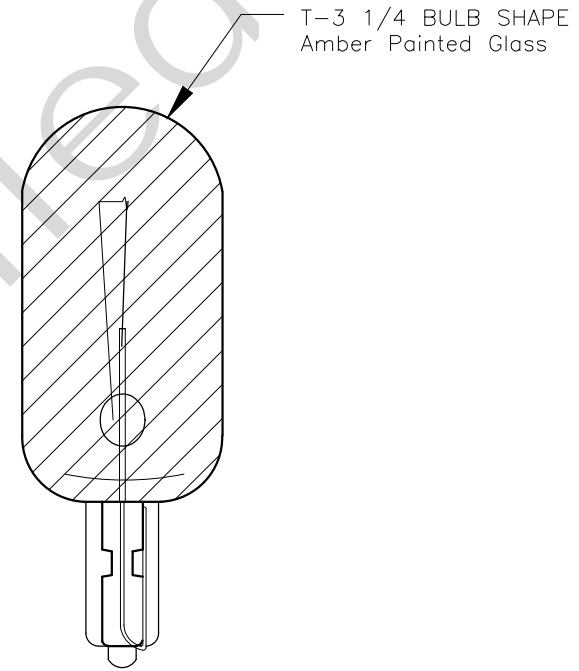




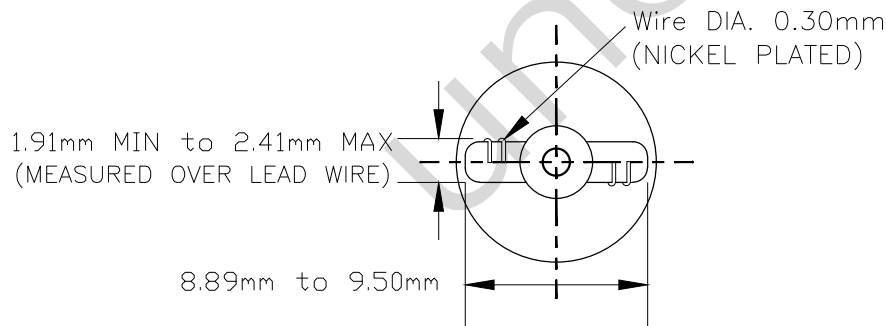
PART NO.	BASE TYPE	DESIGN VOLTS	DESIGN AMPS	MSCD	FILAMENT TYPE	AVERAGE LIFE HOURS	REVISIONS			
							REV #	DESCRIPTION	DATE	APPROVED
168A	Glass Wedge T-3 1/4 (W2.1X9.2d)	14.0V	0.35±10%	2.4 ±30%	C-2F	1500	1	ISSUED	05/23/2014	R.M.



0° VIEW



90° VIEW



BASE BOTTOM VIEW

Note: Made according to SAE specifications



UNLESS OTHERWISE SPECIFIED: DIMENSIONS ARE IN INCHES TOLERANCES		CEC INDUSTRIES LTD			
DECIMALS	ANGULAR	599 BOND STREET		LINCOLNSHIRE, IL 60069	
.XX ± .05	± 0.5°	TITLE LIGHT BULB NO. 168A			
.XXX ± .010		SIZE A	FSCM NO.	DWG NO. 168A	REV 1
FRACTIONAL	± 1/64	DESIGN	SCALE	PLOT SCALE	SHEET 1 OF 1
DRAWN R. M.		DATE 05/23/2014	MATERIAL		
CHECKED		FILE 168A.pdf	DRAWING NOT TO SCALE		