

TAPE AND REEL PACKING AS SHOWN

LOC	DIST	REVISIONS					
J	.	P	LTR	DESCRIPTION	DATE	DWN	APVD
		K		REVISED ECR-06-025231	17APR07	C.D	H.S

PICK AND PLACE PART DIFFERENCE			
MASK TAPE (50 MICRO)	MASK TAPE (75 MICRO)	CAP	MASK TAPE(CENTER OPENED) (50 MICRO)
WEIGHT:6.4(g)	WEIGHT:6.4(g)	WEIGHT:7.8(g)	WEIGHT:6.4(g)

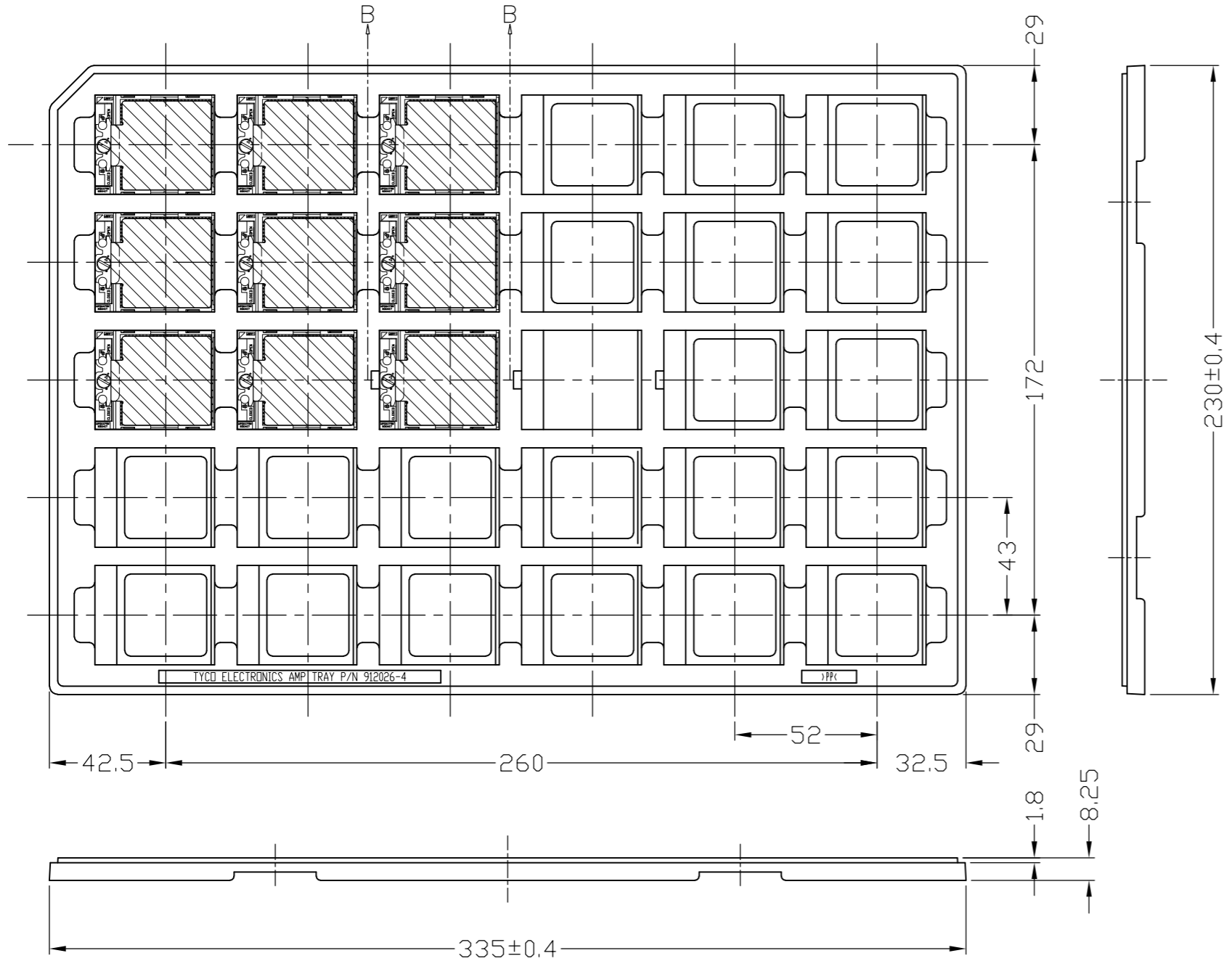
SOCKET TYPE VARIATIONS				
479M STANDARD	478A TYPE STANDARD	478B TYPE STANDARD	478C TYPE STANDARD	479M WITH PEG
479M 180DEG ROTATE	478A TYPE 180DEG ROTATE	478B TYPE 180DEG ROTATE	478C TYPE 180DEG ROTATE	479M WITHOUT PEG

△ MATERIAL
EMBOSS TAPE : PET
COVER TAPE : PET
PROTECTION BAND : PAPER

THIS DRAWING IS A CONTROLLED DOCUMENT.		DWN	20JAN03		Tyco Electronics AMP K.K.	
		CHK	21JAN03		Kawasaki, Japan	
		APVD	21JAN03		PACKING ASSY	
		PRODUCT SPEC			mPGA47X SOCKET LEAD FREE BALL	
DIMENSIONS:	TOLERANCES UNLESS OTHERWISE SPECIFIED:	108-5744		NOT the LATEST REVISION		
MM	0 PLC ± 0.3	APPLICATION SPEC-INSTRUCTION SHEET		SIZE	CAGE CODE	DRAWING NO
	1 PLC ± 0.3	411-5983		A3	00779	C-1674770
	2 PLC ± 0.3	WEIGHT		RESTRICTED TO		
	3 PLC ± 0.3	SEE TABLE		SCALE		
	4 PLC ± 0.3	CUSTOMER DRAWING		NTS		
	ANGLES ± 3'			SHEET 1 OF 3		
MATERIAL	FINISH			REV K		

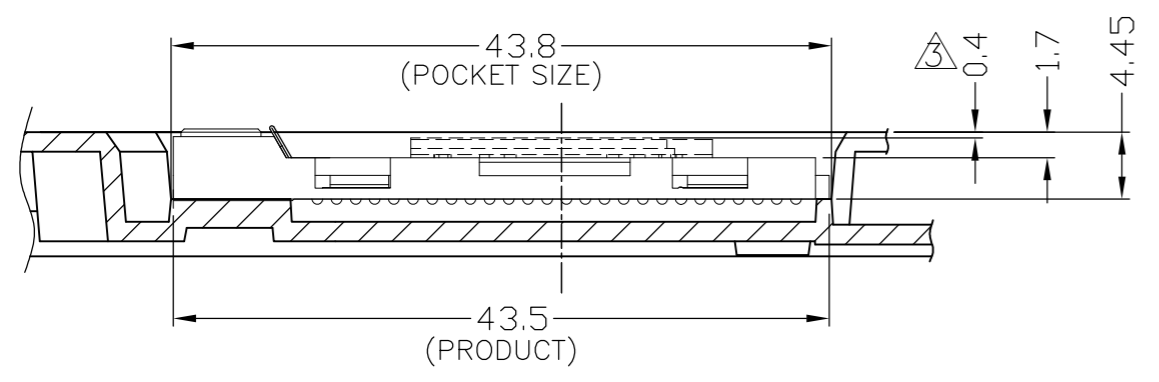
THIS DRAWING IS UNPUBLISHED. RELEASED FOR PUBLICATION 2001.
 © COPYRIGHT 2001 BY TYCO ELECTRONICS CORPORATION. ALL RIGHTS RESERVED.

LOC	DIST	REVISIONS			
P	LTR	DESCRIPTION	DATE	DWN	APVD
J	.	SEE SHEET 1	-	-	-



△ MATERIAL PP
 △ IN CASE OF PICK AND PLACE CAP ITEM

TRAY PACKING AS SHOWN




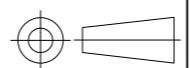
SECTION B-B
SCALE 2:1

THIS DRAWING IS A CONTROLLED DOCUMENT.		DWN		Tyco Electronics AMP K.K. Kawasaki, Japan	
DIMENSIONS: MM		CHK		NAME	
TOLERANCES UNLESS OTHERWISE SPECIFIED: 0 PLC ± 0.3 1 PLC ± 0.3 2 PLC ± 0.3 3 PLC ± 0.3 4 PLC ANGLES ± 0.3		APVD		PACKING ASSY mPGA47X SOCKET LEAD FREE BALL	
MATERIAL		PRODUCT SPEC		SIZE	RESTRICTED TO
△		APPLICATION SPEC INSTRUCTION SHEET		A3	-
FINISH		WEIGHT		CAGE CODE	DRAWING NO
		CUSTOMER DRAWING		00779	1674770
		SCALE		SHEET	REV
		NTS		2 OF 3	K

THIS DRAWING IS UNPUBLISHED. RELEASED FOR PUBLICATION 2001.
 © COPYRIGHT 2001 BY TYCO ELECTRONICS CORPORATION. ALL RIGHTS RESERVED.

LOC	DIST	REVISIONS					
		P	LTR	DESCRIPTION	DATE	DWN	APVD
J	.			SEE SHEET 1	-	-	-

TAPE AND REEL PITCH	WITH MASK TAPE (THK)	WEIGHT(kg)	C	B	A	SOCKET QTY PER TRAY OR REEL	SOCKET P/NS REF. ONLY	SALEABLE PART NO.	NAME
TAPE AND REEL PITCH 56 mm	WITH MASK TAPE (THK 75 MICRO)	1.88	1400	560	56	160	7-1674772-2	7-1674770-2	478B TYPE 180 DEGREE ROTATE
TAPE AND REEL PITCH 56 mm	WITH MASK TAPE (THK 75 MICRO)	1.88	1400	560	56	160	6-1674772-2	6-1674770-2	478A TYPE 180 DEGREE ROTATE
TAPE AND REEL PITCH 56 mm	WITH MASK TAPE (THK 75 MICRO)	1.88	1400	560	56	160	5-1674772-2	5-1674770-2	479M STD 180 DEGREE ROTATE
HARD TRAY	WITH CAP	0.354				30	4-1674772-4	4-1674770-4	479M WO/PEG
HARD TRAY	WITH MASK TAPE (THK 50 MICRO)	0.312				30	4-1674772-3	4-1674770-3	
HARD TRAY	WITH CAP	0.354				30	4-1674772-2	4-1674770-2	479M W/PEG
HARD TRAY	WITH MASK TAPE (THK 50 MICRO)	0.312				30	4-1674772-1	4-1674770-1	
HARD TRAY	WITH CAP	0.354				30	3-1674772-3	3-1674770-9	478C TYPE
HARD TRAY	WITH MASK TAPE (THK 75 MICRO)	0.312				30	3-1674772-2	3-1674770-8	
TAPE AND REEL PITCH 56 mm	WITH MASK TAPE (THK 75 MICRO)	1.88	1400	560	56	160	3-1674772-2	3-1674770-2	478B STD. BLACK
HARD TRAY	WITH CAP	0.354				30	2-1674772-9	2-1674770-9	
HARD TRAY	WITH CAP	0.354				30	2-1674772-6	2-1674770-6	478B STD. Cover: PURPLE
HARD TRAY	WITH MASK TAPE (THK 75 MICRO)	0.312				30	2-1674772-4	2-1674770-5	
TAPE AND REEL PITCH 56 mm	WITH MASK TAPE (THK 75 MICRO)	1.88	1400	560	56	160	2-1674772-4	2-1674770-4	478B TYPE
TAPE AND REEL PITCH 56 mm	WITH MASK TAPE (THK 75 MICRO)	1.88	1400	560	56	160	2-1674772-2	2-1674770-2	
TAPE AND REEL PITCH 56 mm	WITH MASK TAPE (THK 50 MICRO)	1.88	1400	560	56	160	2-1674772-1	2-1674770-1	478A STD. Cover: YELLOW
TAPE AND REEL PITCH 56 mm	WITH CAP	2.13	1400	560	56	160	1-1674772-5	4-1674770-7	
TAPE AND REEL PITCH 56 mm	WITH MASK TAPE (THK 75 MICRO)	1.88	1400	560	56	160	1-1674772-4	4-1674770-6	478A TYPE
HARD TRAY	WITH MASK TAPE (THK 75 MICRO)	0.312				30	1-1674772-2	1-1674770-5	
TAPE AND REEL PITCH 56 mm	WITH MASK TAPE (THK 75 MICRO)	1.88	1400	560	56	160	1-1674772-2	1-1674770-2	479M STANDARD
HARD TRAY	WITH MASK TAPE CENTER OPENED (THK 50 MICRO)	0.312				30	4-1674772-5	4-1674770-5	
HARD TRAY	WITH CAP	0.354				30	1674772-3	1674770-9	
HARD TRAY	WITH MASK TAPE (THK 75 MICRO)	0.312				30	1674772-2	1674770-8	
HARD TRAY	WITH MASK TAPE (THK 50 MICRO)	0.312				30	1674772-1	1674770-7	
TAPE AND REEL PITCH 48 mm	WITH CAP	2.42	1200	480	48	200	1674772-3	1674770-6	
TAPE AND REEL PITCH 48 mm	WITH MASK TAPE (THK 75 MICRO)	2.14	1200	480	48	200	1674772-2	1674770-5	
TAPE AND REEL PITCH 48 mm	WITH MASK TAPE (THK 50 MICRO)	2.14	1200	480	48	200	1674772-1	1674770-4	
TAPE AND REEL PITCH 56 mm	WITH CAP	2.13	1400	560	56	160	1674772-3	1674770-3	
TAPE AND REEL PITCH 56 mm	WITH MASK TAPE (THK 75 MICRO)	1.88	1400	560	56	160	1674772-2	1674770-2	
TAPE AND REEL PITCH 56 mm	WITH MASK TAPE (THK 50 MICRO)	1.88	1400	560	56	160	1674772-1	1674770-1	
PACKING	REMARKS	WEIGHT(kg)	DIMENSION			SOCKET QTY PER TRAY OR REEL	SOCKET P/NS REF. ONLY	SALEABLE PART NO.	NAME

THIS DRAWING IS A CONTROLLED DOCUMENT.		DWN	 Tyco Electronics AMP K.K. Kawasaki, Japan	
DIMENSIONS: MM		CHK		
		APVD	NAME	
TOLERANCES UNLESS OTHERWISE SPECIFIED:		PRODUCT SPEC	PACKING ASSY	
0 PLC ± 0.3		APPLICATION SPEC	mPGA47X SOCKET LEAD FREE BALL	
1 PLC ± 0.3		INSTRUCTION SHEET	SIZE	CAGE CODE
2 PLC ± 0.3		WEIGHT	DRAWING NO	
3 PLC ± 0.3		CUSTOMER DRAWING	RESTRICTED TO	
4 PLC ± 0.3			SCALE	
ANGLES ± 3'			SHEET	
FINISH			OF	
			REV	
			K	

A3 00779 C-1674770
 NTS 3 OF 3