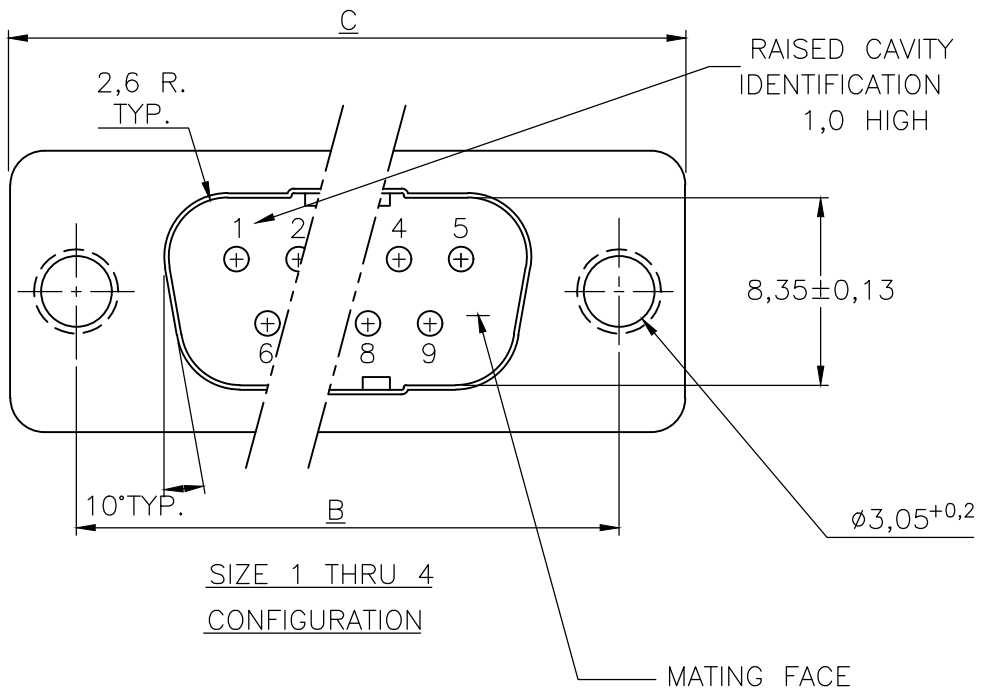


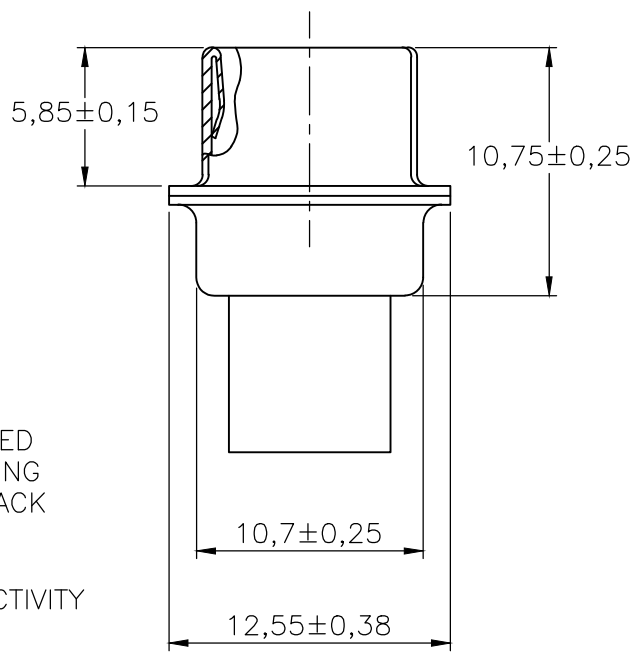
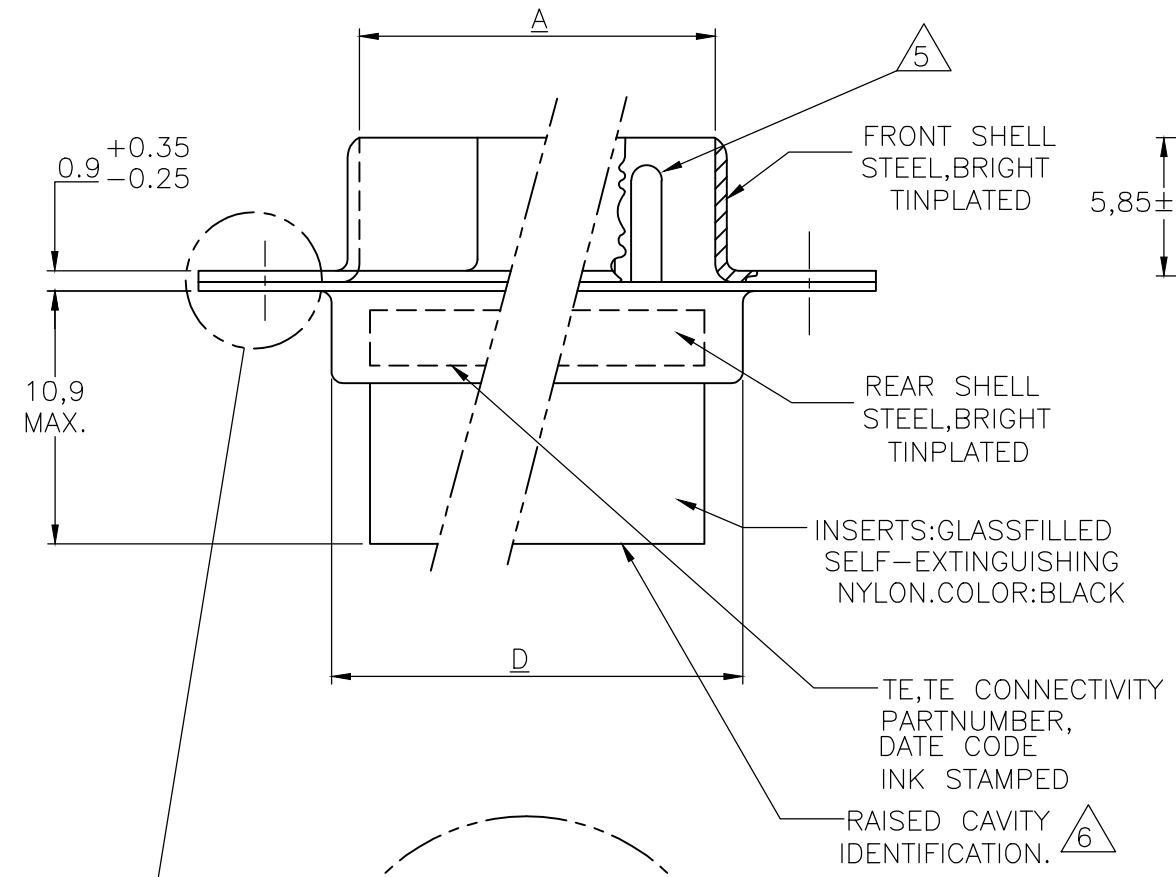
THIS DRAWING IS UNPUBLISHED. RELEASED FOR PUBLICATION
 © COPYRIGHT - By - ALL RIGHTS RESERVED.

LOC	DIST	REVISIONS				
P	LTR	DESCRIPTION	DATE	DWN	APVD	
H	-	R	REVISED PER ECO-18-001571	08FEB2018	AP	DG



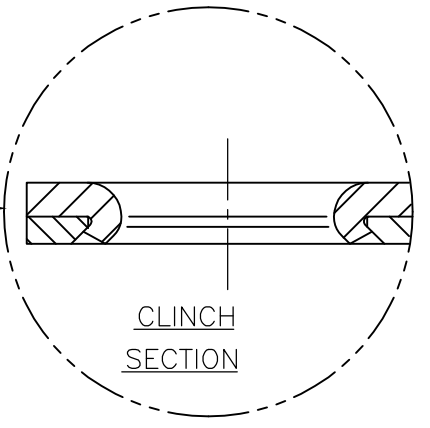
NOTES:

- THIS PLUG ACCEPTS SIZE 20 PIN CONTACTS.
 - MAXIMUM WIRE INSULATION RECOMMENDED FOR USE WITH THIS PLUG IS 1,73 DIA. MAX..
 - RETENTION TINES ARE AN INTEGRAL PART OF INSERT.
 - FOLLOWING INSERTION/REMOVAL TOOLS ARE RECOMMENDED FOR USE WITH THESE CONNECTORS:
 32-28AWG/28-24AWG CONT's
 91067-3 INSERTION/REMOVAL
 726363-1 INSERTION ONLY
 24-20AWG CONTACTS
 91067-2 INSERTION/REMOVAL
 726363-1 INSERTION ONLY
 726364-1 REMOVAL ONLY
- △5 CONTACTS SHOWN FOR ILLUSTRATION ONLY, NO PART OF CONNECTOR PACKAGE ;MUST BE ORDERED SEPARATELY.
 △6 RAISED CAVITY IDENTIFICATION NUMBERS ON WIRE SIDE ARE WHITENED FOR -9 P/N'S.



D	C	B	A	NR.OF POS	SIZE	ORDER NUMBER
±0,25	±0,38	±0,13	±0,13			
55,3	66,9	61,1	52,9	50	5	167296-9 167296-1
57,7	69,3	63,5	55,4	37	4	167295-9 167295-1 OBSOLETE
41,3	53,0	47,0	39,0	25	3	167294-9 167294-1
27,5	39,1	33,3	25,3	15	2	167293-9 167293-1
19,3	30,8	25,0	16,9	9	1	167292-9 167292-1

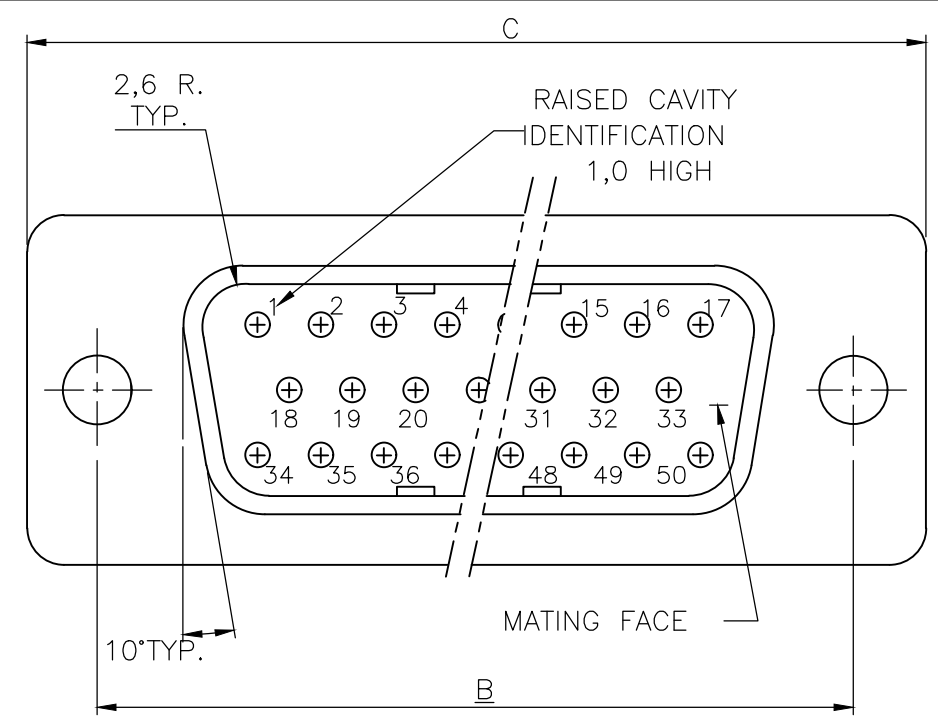
FOR DETAILS SIZE 5, SEE SHEET 2.



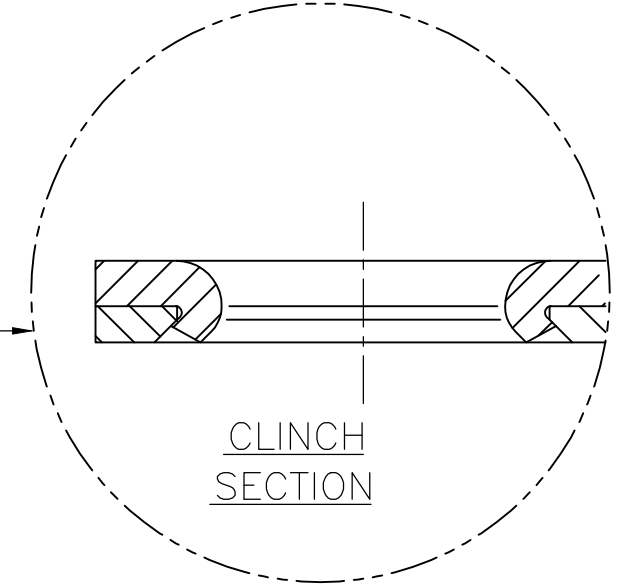
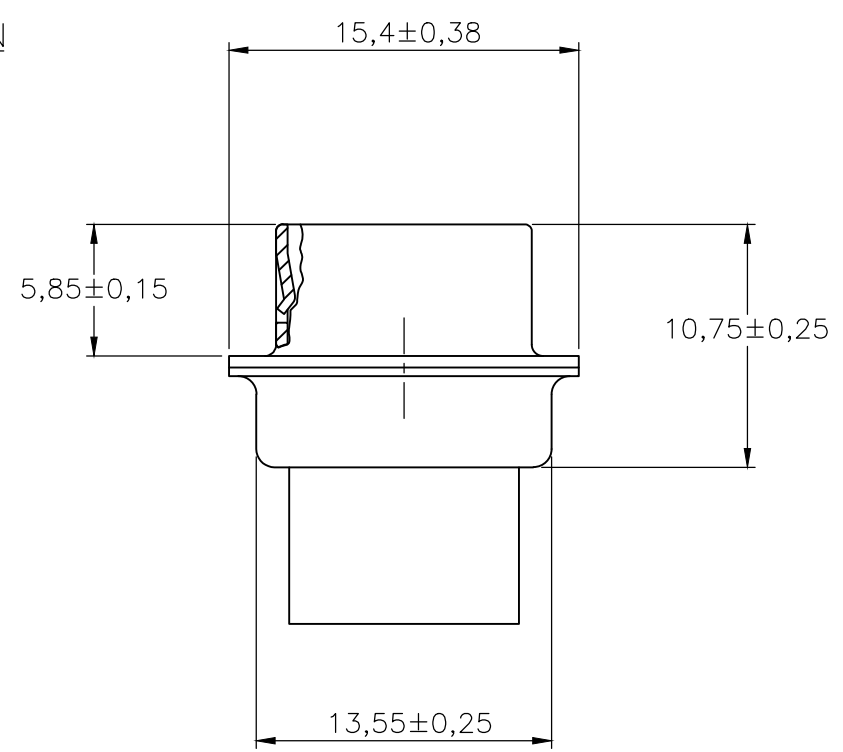
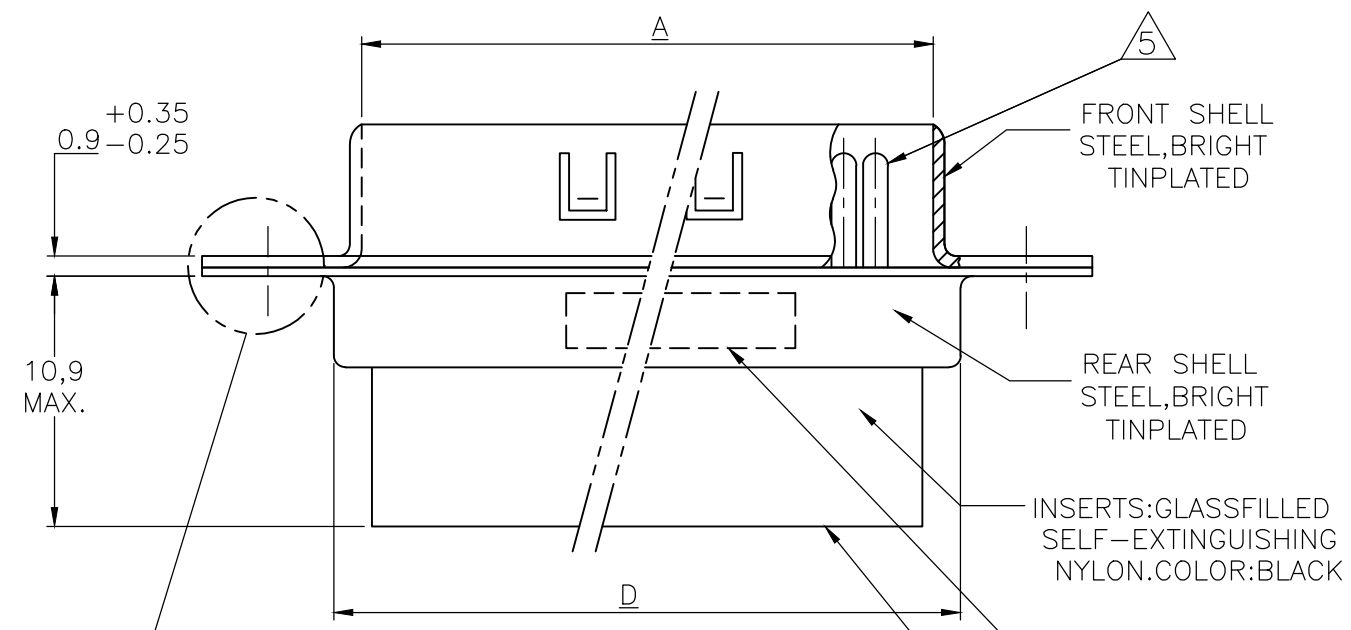
THIS DRAWING IS A CONTROLLED DOCUMENT.		DWN B.MOOIJ 20NOV87	TE Connectivity HDP-20 PLUG CONNECTOR, SIZE 1-4		
DIMENSIONS: mm		CHK -			
TOLERANCES UNLESS OTHERWISE SPECIFIED:		APVD -	PRODUCT SPEC		SIZE CAGE CODE DRAWING NO RESTRICTED TO
0 PLC ± -		PRODUCT SPEC -	APPLICATION SPEC		
1 PLC ± 0,2		APVD -	APPLICATION SPEC		A3 00779 C-167292
2 PLC ± -		PRODUCT SPEC -	APPLICATION SPEC		
3 PLC ± -		APVD -	APPLICATION SPEC		CUSTOMER DRAWING SCALE NTS SHEET 1 OF 2 REV R
4 PLC ± -		PRODUCT SPEC -	APPLICATION SPEC		
ANGLES ± 2°		APVD -	APPLICATION SPEC		
MATERIAL -		WEIGHT -			
FINISH -		WEIGHT -			

THIS DRAWING IS UNPUBLISHED. RELEASED FOR PUBLICATION
 © COPYRIGHT - By - ALL RIGHTS RESERVED.

LOC	DIST	REVISIONS			
P	LTR	DESCRIPTION	DATE	DWN	APVD
H	-	SEE SHEET 1	-	-	-



SIZE 5
CONFIGURATION



FRONT SHELL
STEEL, BRIGHT
TINPLATED

REAR SHELL
STEEL, BRIGHT
TINPLATED

INSERTS: GLASS FILLED
SELF-EXTINGUISHING
NYLON. COLOR: BLACK

TE, TE CONNECTIVITY PARTNUMBER,
DATE CODE INK STAMPED

RAISED CAVITY
IDENTIFICATION. \triangle 6

THIS DRAWING IS A CONTROLLED DOCUMENT.		DWN B.MOOIJ 20NOV87	TE Connectivity		
DIMENSIONS: mm		CHK -			
TOLERANCES UNLESS OTHERWISE SPECIFIED:		APVD -	HDP-20 PLUG CONNECTOR, SIZE 5		
0 PLC	± -	PRODUCT SPEC -	SIZE	CAGE CODE	DRAWING NO
1 PLC	± 0,2	APPLICATION SPEC -	A3	00779	C-167292
2 PLC	± -	RESTRICTED TO -	SCALE NTS SHEET 2 OF 2 REV R		
3 PLC	± -	WEIGHT -	CUSTOMER DRAWING		
4 PLC	± -				
ANGLES	± 2°				
MATERIAL -	FINISH -				