

STRADA-2X2-FR

Asymmetric spotlight beam for floodlighting railway tracks according to Russian normative

SPECIFICATION:

Dimensions	50.0 x 50.0 mm
Height	11.8 mm
Fastening	glue, pin, screw
ROHS compliant	yes ⓘ

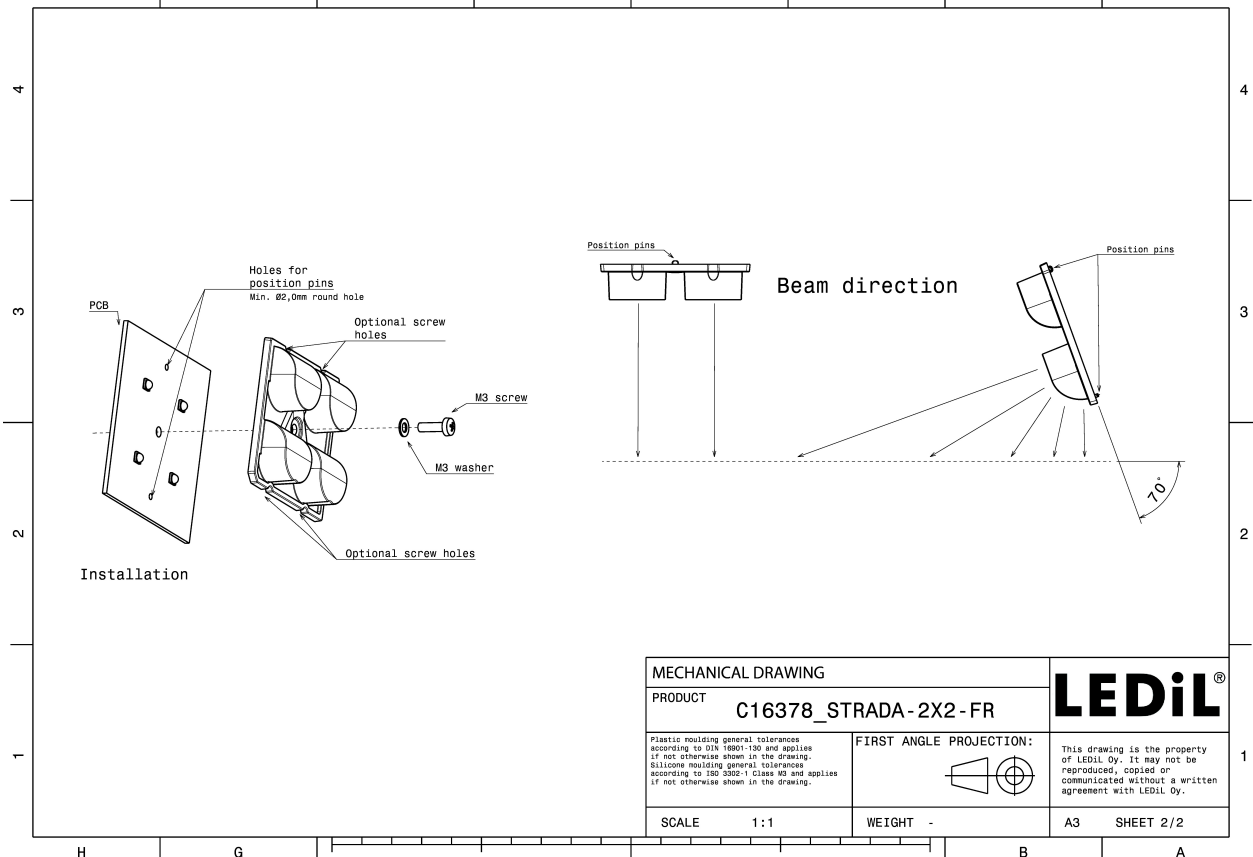
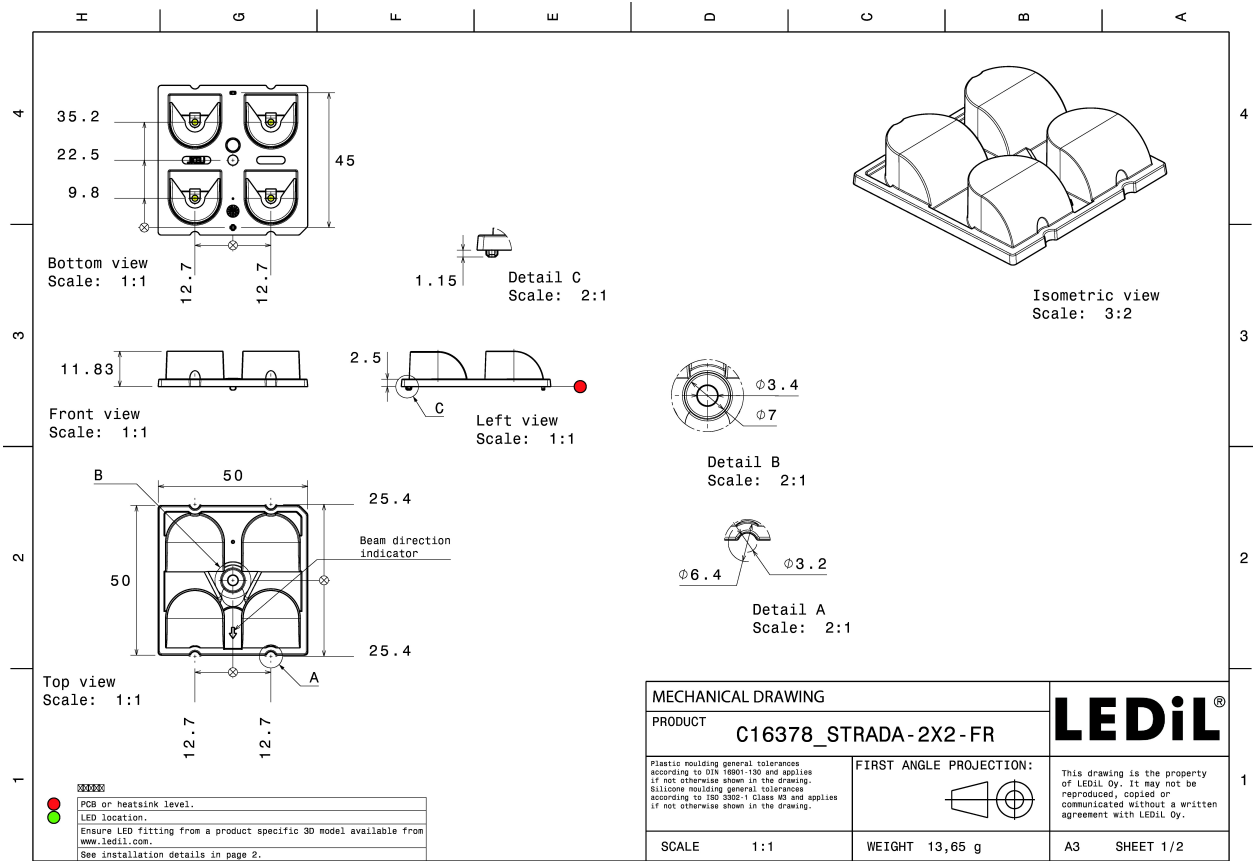


MATERIALS:

Component	Type	Material	Colour	Finish
STRADA-2X2-FR	Multi-lens	PMMA	clear	

ORDERING INFORMATION:

Component	Qty in box	MOQ	MPQ	Box weight (kg)
C16378_STRADA-2X2-FR » Box size: 476 x 273 x 292 mm	800		160	11.7

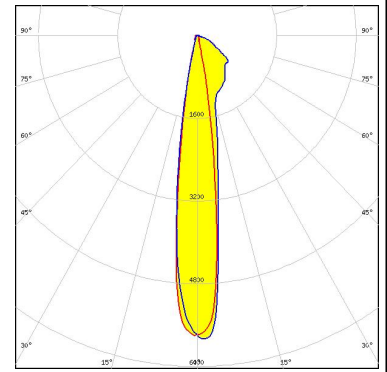


See also our general installation guide: www.ledil.com/installation_guide

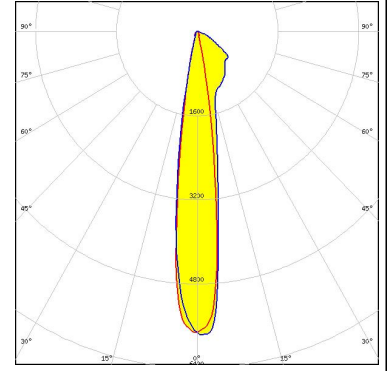
OPTICAL RESULTS (MEASURED):



LED XP-G2
 FWHM / FWTM 15.0 + 16.0° / 27.0 + 70.0°
 Efficiency 94 %
 Peak intensity 5.9 cd/m
 LEDs/each optic 1
 Light colour White
 Required components:



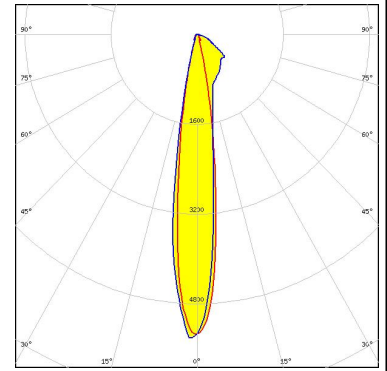
LED XP-G2
 FWHM / FWTM 15.0 + 16.0° / 26.0 + 69.0°
 Efficiency 90 %
 Peak intensity 5.8 cd/m
 LEDs/each optic 1
 Light colour White
 Required components:



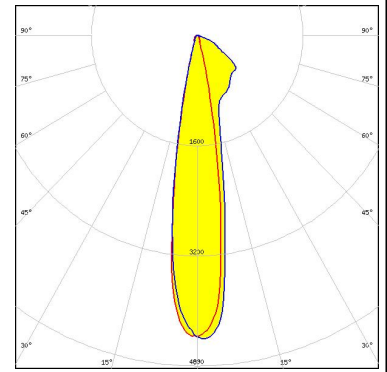
Protective plate, glass



LED RecLED 122x50mm 1900lm 730 2x4 Opt G1
 FWHM / FWTM Asymmetric
 Efficiency 97 %
 Peak intensity 5.4 cd/m
 LEDs/each optic 1
 Light colour White
 Required components:



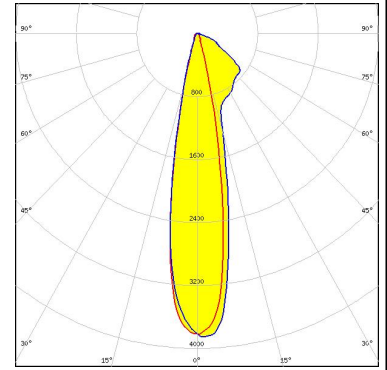
LED NVSW219F
 FWHM / FWTM 18.0 + 20.0° / 31.0 + 74.0°
 Efficiency 94 %
 Peak intensity 4.4 cd/m
 LEDs/each optic 1
 Light colour White
 Required components:



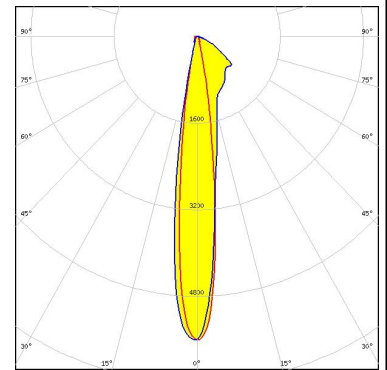
OPTICAL RESULTS (MEASURED):



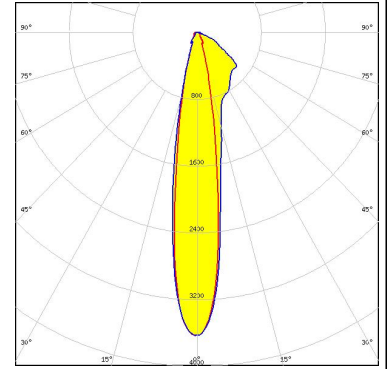
LED NVSW319B
FWHM / FWTM 20.0 + 22.0° / 34.0 + 76.0°
Efficiency 94 %
Peak intensity 3.9 cd/lm
LEDs/each optic 1
Light colour White
Required components:



LED OSLOM Square PC
FWHM / FWTM 14.0 + 15.0° / 27.0 + 71.0°
Efficiency 94 %
Peak intensity 5.6 cd/lm
LEDs/each optic 1
Light colour White
Required components:



LED Z5M3
FWHM / FWTM Asymmetric
Efficiency 94 %
Peak intensity 3.6 cd/lm
LEDs/each optic 1
Light colour White
Required components:



OPTICAL RESULTS (SIMULATED):

<p>CREE LEDs</p> <p>LED: XP-G2 HE FWHM / FWTM: 18.0 + 21.0° / 34.0 + 70.0° Efficiency: 92 % Peak intensity: 4.4 cd/lm LEDs/each optic: 1 Light colour: White Required components:</p>	
<p>CREE LEDs</p> <p>LED: XP-G3 FWHM / FWTM: 17.0 + 18.0° / 32.0 + 72.0° Efficiency: 92 % Peak intensity: 4.8 cd/lm LEDs/each optic: 1 Light colour: White Required components:</p>	
<p>CREE LEDs</p> <p>LED: XP-G3 FWHM / FWTM: Asymmetric Efficiency: 85 % Peak intensity: 4.2 cd/lm LEDs/each optic: 1 Light colour: White Required components:</p> <p style="background-color: #e0f0ff; padding: 2px;">Protective plate, glass</p>	
<p>LUMILEDS</p> <p>LED: LUXEON TX FWHM / FWTM: 15.0 + 16.0° / 28.0 + 66.0° Efficiency: 93 % Peak intensity: 6.6 cd/lm LEDs/each optic: 1 Light colour: White Required components:</p>	

OPTICAL RESULTS (SIMULATED):

<p>LUMILEDS</p> <p>LED: LUXEON XR-HL2X (L2H2-xxxxxxxMLU010)</p> <p>FWHM / FWTM: 20.0 + 23.0° / 46.0 + 76.0°</p> <p>Efficiency: 85 %</p> <p>Peak intensity: 2 cd/lm</p> <p>LEDs/each optic: 1</p> <p>Light colour: White</p> <p>Required components:</p> <p>Protective plate, glass</p>	
<p>LUMILEDS</p> <p>LED: LUXEON XR-HL2X (L2H2-xxxxxxxMLU010)</p> <p>FWHM / FWTM: 20.0 + 22.0° / 44.0 + 75.0°</p> <p>Efficiency: 95 %</p> <p>Peak intensity: 2.2 cd/lm</p> <p>LEDs/each optic: 1</p> <p>Light colour: White</p> <p>Required components:</p>	
<p>NICHIA</p> <p>LED: NV4WB35AM</p> <p>FWHM / FWTM: 22.0 + 24.0° / 44.0 + 82.0°</p> <p>Efficiency: 94 %</p> <p>Peak intensity: 3 cd/lm</p> <p>LEDs/each optic: 1</p> <p>Light colour: White</p> <p>Required components:</p>	
<p>NICHIA</p> <p>LED: NV4WB35AM</p> <p>FWHM / FWTM: Asymmetric</p> <p>Efficiency: 88 %</p> <p>Peak intensity: 2.7 cd/lm</p> <p>LEDs/each optic: 1</p> <p>Light colour: White</p> <p>Required components:</p> <p>Protective plate, glass</p>	

OPTICAL RESULTS (SIMULATED):

<p>NICHIA</p> <p>LED: NVSW519A FWHM / FWTM: 23.0 + 24.0° / 52.0 + 79.0° Efficiency: 93 % Peak intensity: 1.8 cd/lm LEDs/each optic: 1 Light colour: White Required components:</p>	
<p>NICHIA</p> <p>LED: NVSW519A FWHM / FWTM: 23.0 + 25.0° / 53.0 + 79.0° Efficiency: 88 % Peak intensity: 1.8 cd/lm LEDs/each optic: 1 Light colour: White Required components:</p> <p style="background-color: #ADD8E6; padding: 2px; display: inline-block;">Protective plate, glass</p>	
<p>NICHIA</p> <p>LED: NVSxE21A FWHM / FWTM: 12.0 + 13.0° / 25.0 + 67.0° Efficiency: 93 % Peak intensity: 7.6 cd/lm LEDs/each optic: 1 Light colour: White Required components:</p>	
<p>NICHIA</p> <p>LED: NWSx229A FWHM / FWTM: 24.0 + 25.0° / 42.0 + 81.0° Efficiency: 93 % Peak intensity: 2.8 cd/lm LEDs/each optic: 1 Light colour: White Required components:</p>	

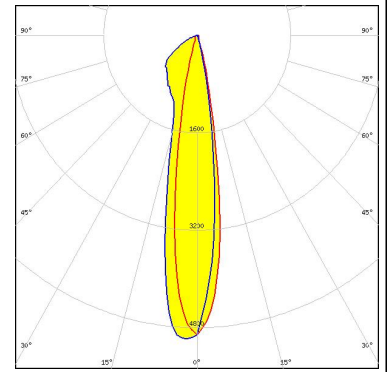
OPTICAL RESULTS (SIMULATED):

<p>OSRAM Opto Semiconductors</p> <p>LED OSCONIQ P 3737 (2W version)</p> <p>FWHM / FWTM 14.0° / 26.0 + 65.0°</p> <p>Efficiency 93 %</p> <p>Peak intensity 6.9 cd/lm</p> <p>LEDs/each optic 1</p> <p>Light colour White</p> <p>Required components:</p>	
<p>OSRAM Opto Semiconductors</p> <p>LED OSCONIQ P 3737 (3W version)</p> <p>FWHM / FWTM 20.0 + 22.0° / 38.0 + 76.0°</p> <p>Efficiency 94 %</p> <p>Peak intensity 3.8 cd/lm</p> <p>LEDs/each optic 1</p> <p>Light colour White</p> <p>Required components:</p>	
<p>OSRAM Opto Semiconductors</p> <p>LED OSLON Square CSSRM2/CSSRM3</p> <p>FWHM / FWTM 13.0 + 14.0° / 26.0 + 52.0°</p> <p>Efficiency 86 %</p> <p>Peak intensity 6.6 cd/lm</p> <p>LEDs/each optic 1</p> <p>Light colour White</p> <p>Required components:</p> <p style="background-color: #ADD8E6; padding: 2px;">Protective plate, glass</p>	
<p>OSRAM Opto Semiconductors</p> <p>LED OSLON Square CSSRM2/CSSRM3</p> <p>FWHM / FWTM 13.0 + 14.0° / 26.0 + 53.0°</p> <p>Efficiency 93 %</p> <p>Peak intensity 6.9 cd/lm</p> <p>LEDs/each optic 1</p> <p>Light colour White</p> <p>Required components:</p>	

OPTICAL RESULTS (SIMULATED):

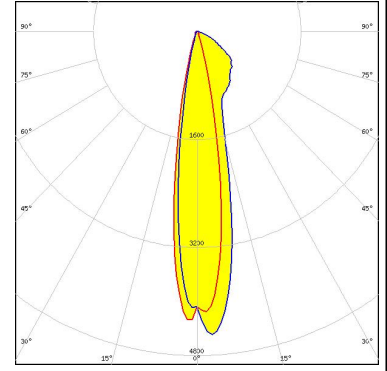
SAMSUNG

LED LH351B
 FWHM / FWTM 18.0 + 19.0° / 32.0 + 70.0°
 Efficiency 94 %
 Peak intensity 5 cd/lm
 LEDs/each optic 1
 Light colour White
 Required components:



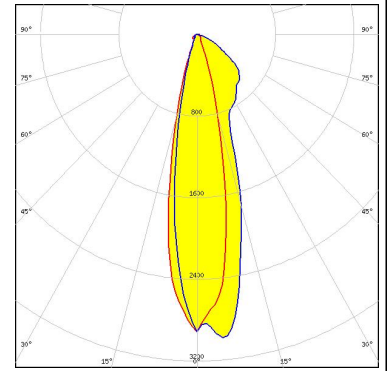
SAMSUNG

LED LH351C
 FWHM / FWTM 18.0 + 20.0° / 33.0 + 71.0°
 Efficiency 94 %
 Peak intensity 4.6 cd/lm
 LEDs/each optic 1
 Light colour White
 Required components:



SAMSUNG

LED LH351D
 FWHM / FWTM 22.0 + 26.0° / 41.0 + 77.0°
 Efficiency 94 %
 Peak intensity 3 cd/lm
 LEDs/each optic 1
 Light colour White
 Required components:



GENERAL INFORMATION:

NOTE: The typical beam angle will be changed by different color, chip size and chip position tolerance. The typical total beam angle is the full angle measured where the luminous intensity is half of the peak value.

MATERIALS:

As part of our continuous research and improvement processes, and to ensure the best possible quality and availability of our products, LEDiL reserves the right to change material grades without notice.

PRODUCT DATA USER AGREEMENT AND DISCLAIMER:

The measured data in the provided downloadable LEDiL Product Datasheets and Mechanical 2D-Drawings is rounded and provided as reference for planning. LEDiL Oy's optical specifications have been verified by conducting performance testing of the products in accordance with the company's quality system. The reported data are averaged results of multiple measurements with typical variation. LEDiL Oy reserves the right to without prior notification make changes and improvements to its products.

LEDiL Oy assumes neither warranty, nor guarantee nor any other liability of any kind for the contents and correctness of the provided data. The provided data has been generated with highest diligence but the provided data may in reality not represent the complete possible variation range of all intrinsic parameters. Therefore, in certain cases a deviation from the provided data could occur.

LEDiL Oy reserves the right to undertake technical changes of its products without further notification which could lead to changes in the provided data. LEDiL Oy assumes no liability of any kind for the possible deviation from any provided data or any other damage resulting from the usage of the provided data.

The user agrees to this disclaimer and user agreement with the download or usage of the provided files.

LEDiL Oy

Joensuunkatu 13
FI-24240 SALO
Finland

LEDiL Inc.

228 West Page Street
Suite D
Sycamore IL 60178
USA

Ledil Optics Technology (Shenzhen) Co., Ltd.

405 , Block B
Casic Motor Building
Shenzhen 518057
P.R.CHINA

Local sales and technical support

[www.ledil.com/
where_to_buy](http://www.ledil.com/where_to_buy)

Shipping locations

Salo, Finland
Hong Kong, China

Distribution Partners

[www.ledil.com/
where_to_buy](http://www.ledil.com/where_to_buy)