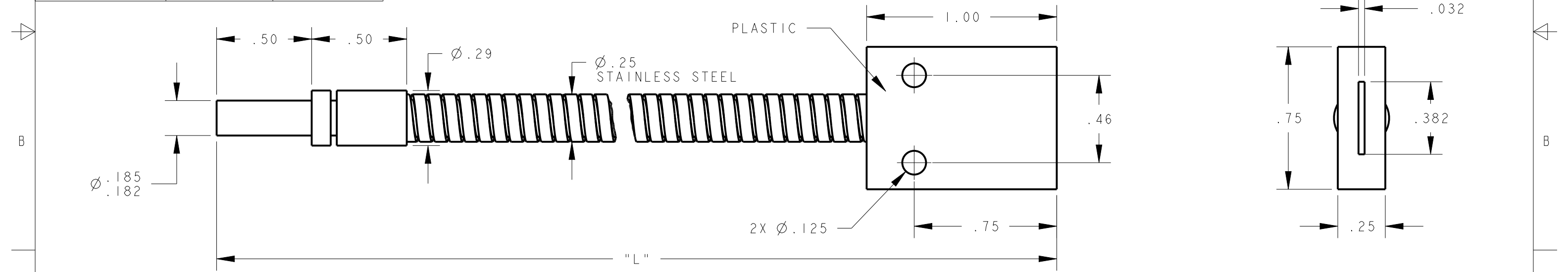
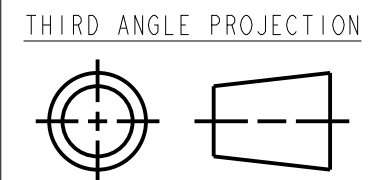


8			7			6			5			4			3			2			1		
MODEL NO.	"L"	P/N	MODEL NO.	"L"	P/N	MODEL NO.	"L"	P/N	MODEL NO.	"L"	P/N	MODEL NO.	"L"	P/N	MODEL NO.	"L"	P/N	MODEL NO.	"L"	P/N	MODEL NO.	"L"	P/N
IR222S	264	00000	IR25S	60	17833	IR26S	72	17982	IR28S	96	20260												
IR29S	108	23684	IR23S	36	17336																		
IR27S	84	23085																					
IR23.2S	38	22975																					
IR23.33S	40	22976																					
IR24.2S	50	22977																					
IR24.8S	57	22978																					
IR21.5S	18	22966																					
IR215S	180	22805																					
IR212S	144	22449																					
IR2.5S	6	20073																					
IR210S	120	20858																					
IR21S	12	20426																					
IR22S	24	17334																					
IR24S	48	21187																					



NOTES:  
 1. ALL DIMENSIONS ARE MILLIMETERS [INCHES] UNLESS OTHERWISE NOTED.  
 2. REFER TO "www.bannerengineering.com" FOR ADDITIONAL DATA AND SPECIFICATIONS.

This drawing is the property of BANNER ENGINEERING CORP. Any use or reproduction, in any form, without prior written permission of Banner is prohibited. © 2015 Banner Engineering Corp.



		BANNER ENGINEERING CORP.	
		www.bannerengineering.com	
TITLE			
<b>IR2 SERIES SS TERMINATED</b>			
SIZE	DRAWING NO.	REV.	
B	<b>161918</b>	<b>A</b>	
SCALE	SHEET		CREO
2:1	1 OF 1		