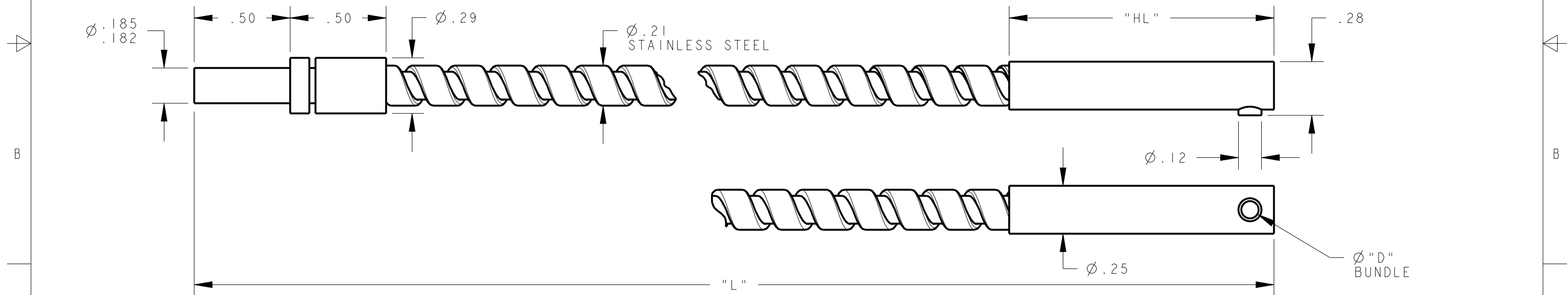


8	7	6	5	4	3	2	1		
MODEL NO.	"HL"	"L"	"D"	P/N	MODEL NO.	"HL"	"L"	"D"	P/N
IAI.53SMTAM600	1.38	36	.090	21568	IAI3SMTAM2.75	2.75	36	.062	21756
IA.754SMTA	1.38	48	.046	21494	IAI.62SMTA	1.38	24	.100	21752
IAI.58SMTA	1.38	96	.090	21479	IAI.53SMTAM2	2.00	36	.090	21662
IAI.52SMTA	1.38	24	.090	21423	IAI.520SMTA	1.38	240	.090	21636
IAI.55SMTA	1.38	60	.090	21424	IAI.53SMTAM3	3.00	36	.090	21573
IAI.56SMTA	1.38	72	.090	21427	IAI.39SMTAMCT	1.38	4.7 ±.1	.062	21572
IA.753SMTA	1.38	36	.046	21158					
IAI3SMTA	1.38	36	.062	21196					
IAI5SMTA	1.38	60	.062	21173					
IAI.54SMTA	1.38	48	.090	21223					
IAI.57SMTA	1.38	84	.090	21035					
IAI.53SMTA	1.38	36	.090	21056					

8	7	6	5	4	3	2	1		
MODEL NO.	"HL"	"L"	"D"	P/N	MODEL NO.	"HL"	"L"	"D"	P/N
IAI.53SMTAM600	1.38	36	.090	21568	IAI3SMTAM2.75	2.75	36	.062	21756
IA.754SMTA	1.38	48	.046	21494	IAI.62SMTA	1.38	24	.100	21752
IAI.58SMTA	1.38	96	.090	21479	IAI.53SMTAM2	2.00	36	.090	21662
IAI.52SMTA	1.38	24	.090	21423	IAI.520SMTA	1.38	240	.090	21636
IAI.55SMTA	1.38	60	.090	21424	IAI.53SMTAM3	3.00	36	.090	21573
IAI.56SMTA	1.38	72	.090	21427	IAI.39SMTAMCT	1.38	4.7 ±.1	.062	21572
IA.753SMTA	1.38	36	.046	21158					
IAI3SMTA	1.38	36	.062	21196					
IAI5SMTA	1.38	60	.062	21173					
IAI.54SMTA	1.38	48	.090	21223					
IAI.57SMTA	1.38	84	.090	21035					
IAI.53SMTA	1.38	36	.090	21056					

NOTES:

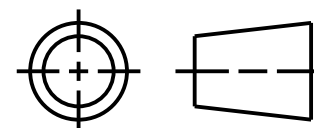
- 'M600' SUFFIX INDICATES THAT FIBERS POTTED ON ANGLED END WITH EPOXY THAT OPERATES IN MAX. TEMPERATURE OF 600°F.



- NOTES:
- ALL DIMENSIONS ARE MILLIMETERS [INCHES] UNLESS OTHERWISE NOTED.
 - REFER TO "www.bannerengineering.com" FOR ADDITIONAL DATA AND SPECIFICATIONS.

This drawing is the property of BANNER ENGINEERING CORP. Any use or reproduction, in any form, without prior written permission of Banner is prohibited. © 2015 Banner Engineering Corp.

THIRD ANGLE PROJECTION



		BANNER ENGINEERING CORP.	
		www.bannerengineering.com	
TITLE			
IAI.5 SERIES SS TIGHT ANGLE			
SIZE	DRAWING NO.	REV.	
B	161915	A	
SCALE	SHEET		
2:1	1 OF 2		

8	7	6	5	4	3	2	1		
MODEL NO.	"HL"	"L"	"D"	P/N	MODEL NO.	"HL"	"L"	"D"	P/N
IAI15SMTA	1.38	180	.062	24482					
IAI.515SMTA	1.38	180	.090	23533					
IAI.5.5SMTA	1.38	6	.090	23924					
IAI9SMTA	1.38	108	.062	23946	IAI.522SMTA	1.38	264	.090	93426
IAI.51.3SMTA	1.38	15	.090	23954	IAI6SMTA	1.38	72	.062	21828
IAI.53.33SMTAM600	1.38	40	.090	00000	IAI2.5SMTA	1.38	30	.062	17415
IAI.510.2SMTAM600	1.38	122	.090	00000	IA.751.5SMTA	1.38	18	.046	22714
IAI.510SMTA	1.38	120	.090	24002	IAI4SMTA	1.38	48	.062	68591
IAI.51.6SMTA	1.38	19	.090	24209	IAI.53SMTAM4.38	4.38	36	.090	22835
IAI10SMTA	1.38	120	.062	24291	IAI.512SMTA	1.38	144	.090	22840
IA.751SMTA	1.38	12	.046	24308	IAI3SMTAM600	1.38	36	.062	22984
IAI.51.5SMTA	1.38	18	.090	00000	IA.53SMTA	1.38	36	.032	23420
IA.443SMTA	1.38	36	.027	00000	IAI.530SMTA	1.38	360	.090	23023
IAI.5.6SMTA	1.38	7	.090	24440	IAI.51.7SMTA	1.38	20	.090	23079
IAI.59SMTA	1.38	108	.090	24605	IAI.517SMTA	1.38	204	.090	23103
IAI.83SMTA	1.38	10	.062	68574	IAI1.2SMTA	1.38	14	.062	23235
IA.753SMTAM2.5	2.50	36	.046	00000	IAI1.9SMTA	1.38	23	.062	23236
IAI.5.7SMTA	1.38	8	.090	00000	IAI3SMTAM2	2.00	36	.062	23258
IA.751.3SMTAM600	1.38	15	.046	70242					
IA.756SMTA	1.38	72	.046	70744					
IAI.5.8SMTA	1.38	9	.090	70784					
IA.56SMTA	1.38	72	.032	71646					
IAI.56SMTAM600	1.38	72	.090	00000					
IAI.7SMTA	1.38	8	.062	74026					
IAI.51SMTA	1.38	12	.090	22691					
IAI.8SMTA	1.38	9	.062	74208					
IA.752SMTA	1.38	24	.046	22524					
IAI1SMTA	1.38	12	.062	22409					
IAI1.5SMTA	1.38	18	.062	22408					
IAI12SMTA	1.38	144	.062	22183					

8	7	6	5	4	3	2	1		
MODEL NO.	"HL"	"L"	"D"	P/N	MODEL NO.	"HL"	"L"	"D"	P/N
IAI15SMTA	1.38	180	.062	24482					
IAI.515SMTA	1.38	180	.090	23533					
IAI.5.5SMTA	1.38	6	.090	23924					
IAI9SMTA	1.38	108	.062	23946	IAI.522SMTA	1.38	264	.090	93426
IAI.51.3SMTA	1.38	15	.090	23954	IAI6SMTA	1.38	72	.062	21828
IAI.53.33SMTAM600	1.38	40	.090	00000	IAI2.5SMTA	1.38	30	.062	17415
IAI.510.2SMTAM600	1.38	122	.090	00000	IA.751.5SMTA	1.38	18	.046	22714
IAI.510SMTA	1.38	120	.090	24002	IAI4SMTA	1.38	48	.062	68591
IAI.51.6SMTA	1.38	19	.090	24209	IAI.53SMTAM4.38	4.38	36	.090	22835
IAI10SMTA	1.38	120	.062	24291	IAI.512SMTA	1.38	144	.090	22840
IA.751SMTA	1.38	12	.046	24308	IAI3SMTAM600	1.38	36	.062	22984
IAI.51.5SMTA	1.38	18	.090	00000	IA.53SMTA	1.38	36	.032	23420
IA.443SMTA	1.38	36	.027	00000	IAI.530SMTA	1.38	360	.090	23023
IAI.5.6SMTA	1.38	7	.090	24440	IAI.51.7SMTA	1.38	20	.090	23079
IAI.59SMTA	1.38	108	.090	24605	IAI.517SMTA	1.38	204	.090	23103
IAI.83SMTA	1.38	10	.062	68574	IAI1.2SMTA	1.38	14	.062	23235
IA.753SMTAM2.5	2.50	36	.046	00000	IAI1.9SMTA	1.38	23	.062	23236
IAI.5.7SMTA	1.38	8	.090	00000	IAI3SMTAM2	2.00	36	.062	23258
IA.751.3SMTAM600	1.38	15	.046	70242					
IA.756SMTA	1.38	72	.046	70744					
IAI.5.8SMTA	1.38	9	.090	70784					
IA.56SMTA	1.38	72	.032	71646					
IAI.56SMTAM600	1.38	72	.090	00000					
IAI.7SMTA	1.38	8	.062	74026					
IAI.51SMTA	1.38	12	.090	22691					
IAI.8SMTA	1.38	9	.062	74208					
IA.752SMTA	1.38	24	.046	22524					
IAI1SMTA	1.38	12	.062	22409					
IAI1.5SMTA	1.38	18	.062	22408					
IAI12SMTA	1.38	144	.062	22183					

NOTES:

- 'M600' SUFFIX INDICATES THAT FIBERS POTTED ON ANGLED END WITH EPOXY THAT OPERATES IN MAX. TEMPERATURE OF 600°F.

- NOTES:
 1. ALL DIMENSIONS ARE MILLIMETERS [INCHES] UNLESS OTHERWISE NOTED.
 2. REFER TO "www.bannerengineering.com" FOR ADDITIONAL DATA AND SPECIFICATIONS.

This drawing is the property of BANNER ENGINEERING CORP. Any use or reproduction, in any form, without prior written permission of Banner is prohibited.
 © 2015 Banner Engineering Corp.

BANNER BANNER ENGINEERING CORP.
 www.bannerengineering.com

TITLE
IAI.5 SERIES SS TIGHT ANGLE

SIZE B DRAWING NO. **161915** REV. **A**

SCALE 2:1 SHEET 2 OF 2

THIRD ANGLE PROJECTION

