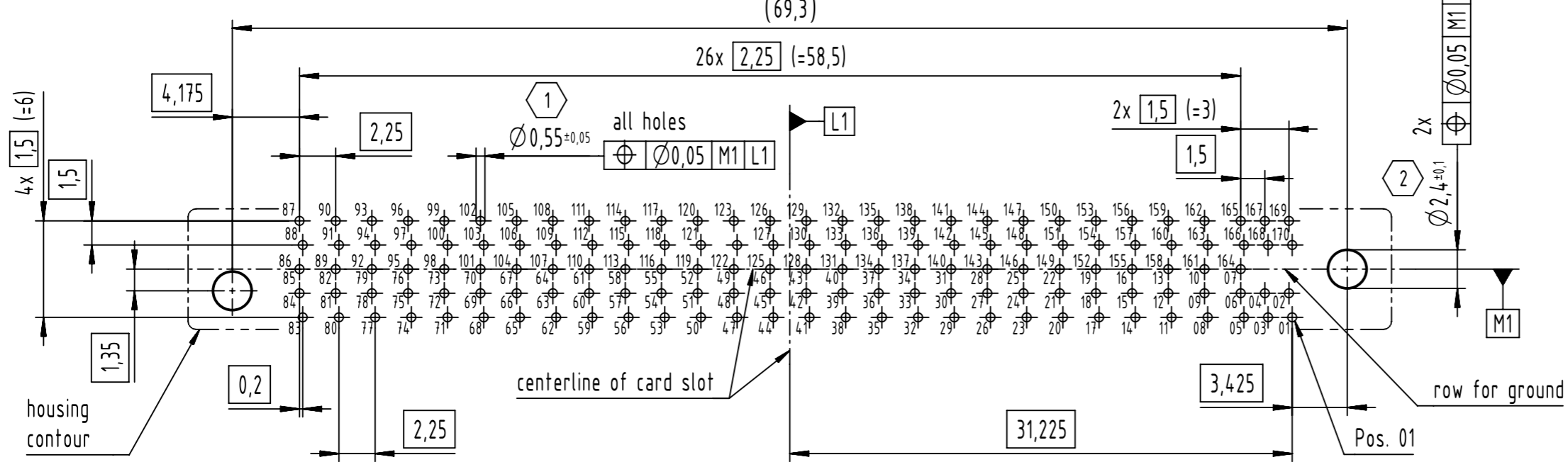
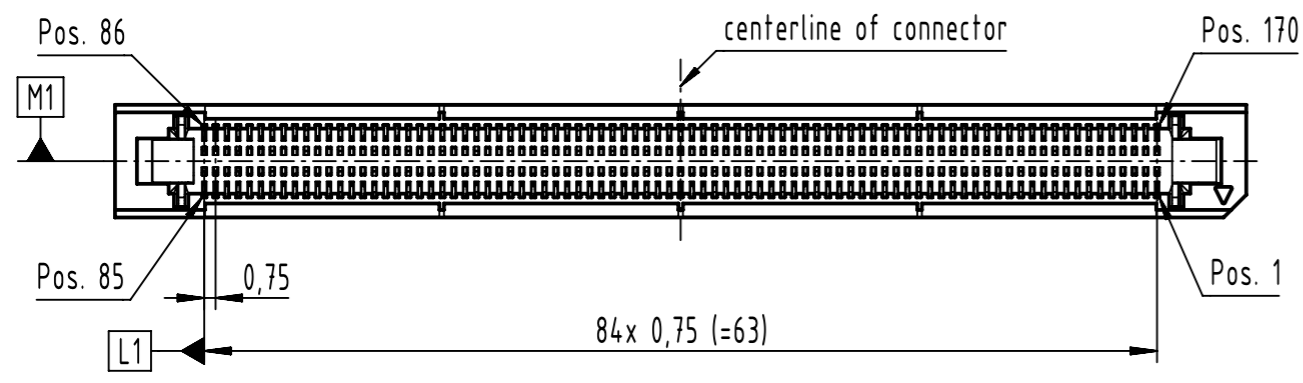
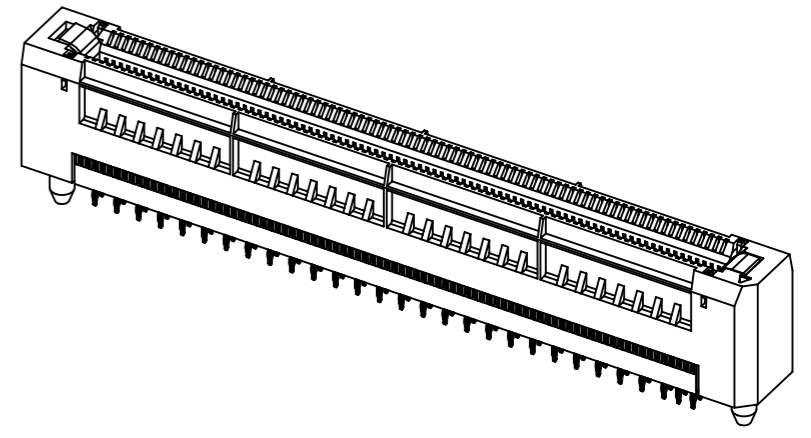
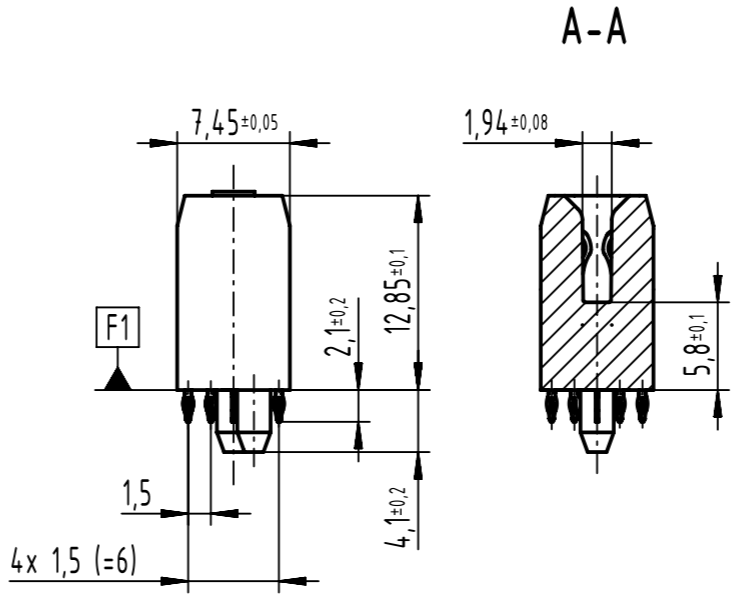
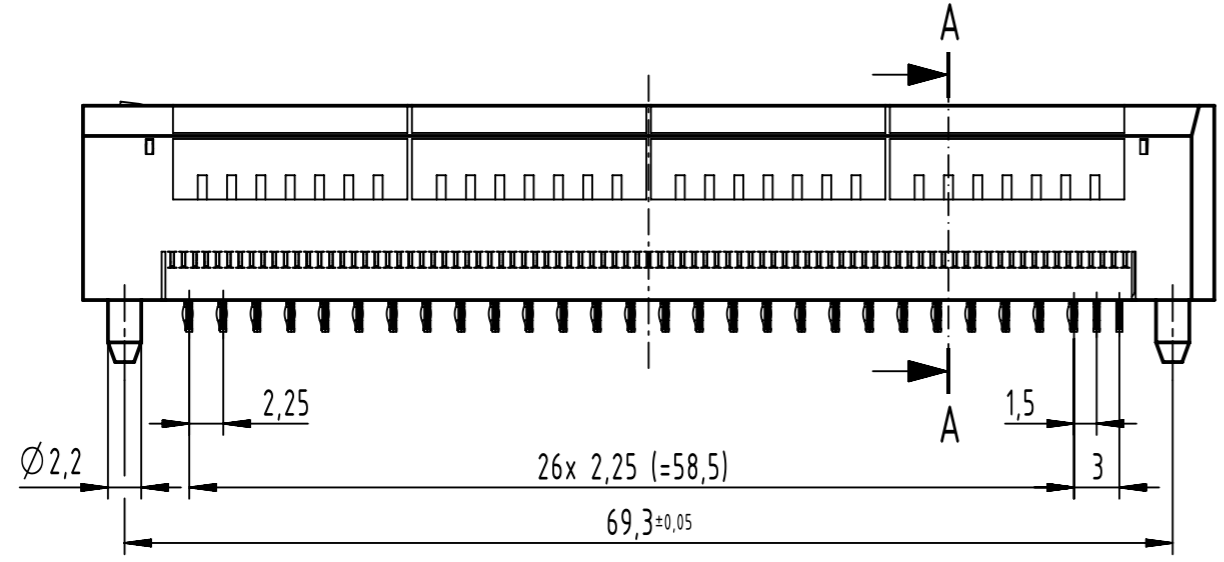
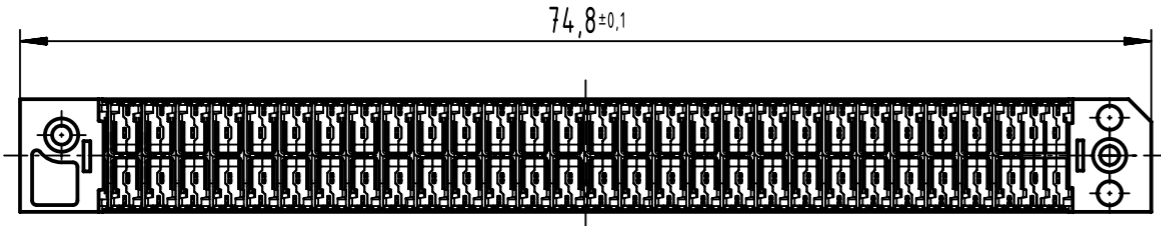


board layout (3:1)



- 1 recommended drill hole $\varnothing 0.64 \pm 0.01$ mm (acc. to IEC 60352-5) through hole dia. (after plating): $\varnothing 0.55 \pm 0.05$
- 2 non-metallized drillings for alignment pegs



missing dimensions and information acc. to PICMG MicroTCA.0 (Micro Telecommunications Computing Architecture Base Specification)



All Dimensions in mm Original Size DIN A3		Scale 2:1	Free size tol.	Ref.	
		Created by TADJE	Inspected by STORCK	Standardisation 302077	Date 2020-12-04
All rights reserved Department EL PD		Title AMC for μ TCA with prot. shield & alignment pegs		State Final Release	
HARTING Electronics GmbH D-32339 Espelkamp		Type TB	Number 16111705207000	Doc-Key / ECM-Nr. 100206341/UGD/001/E 500000185221	
				Rev. E	Page 1/1