

board layout (3:1)

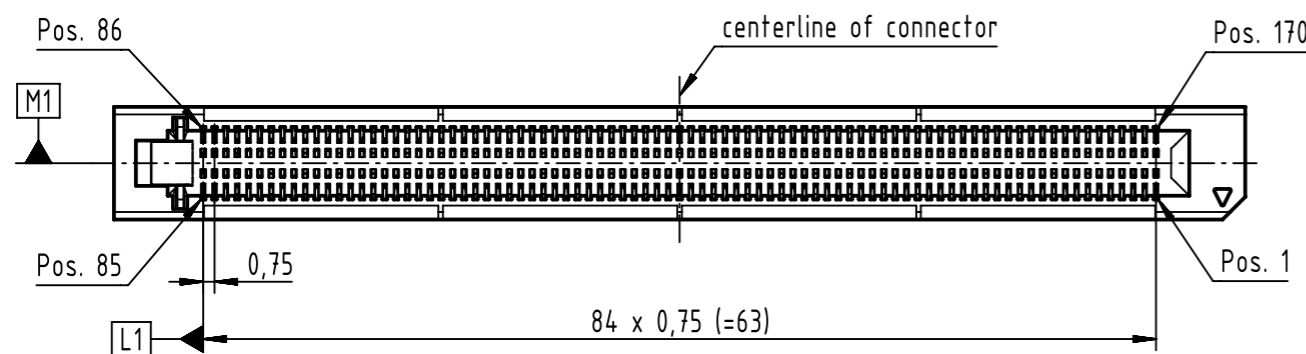
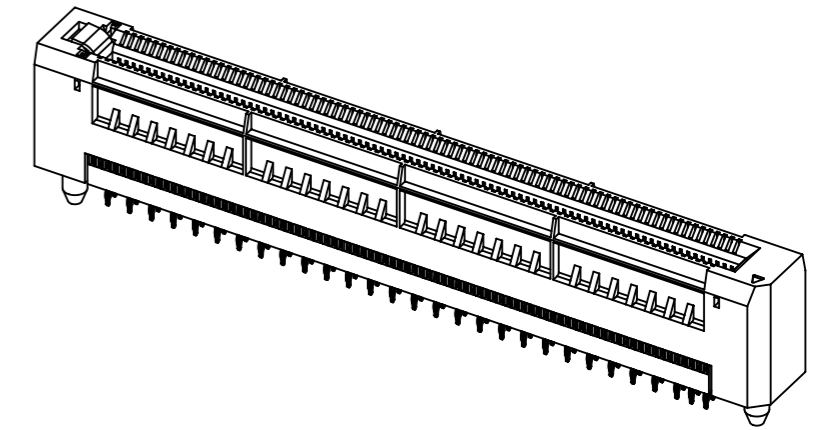
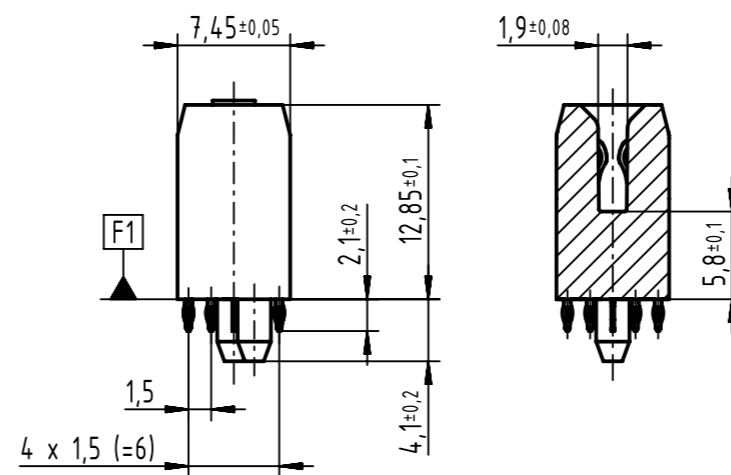
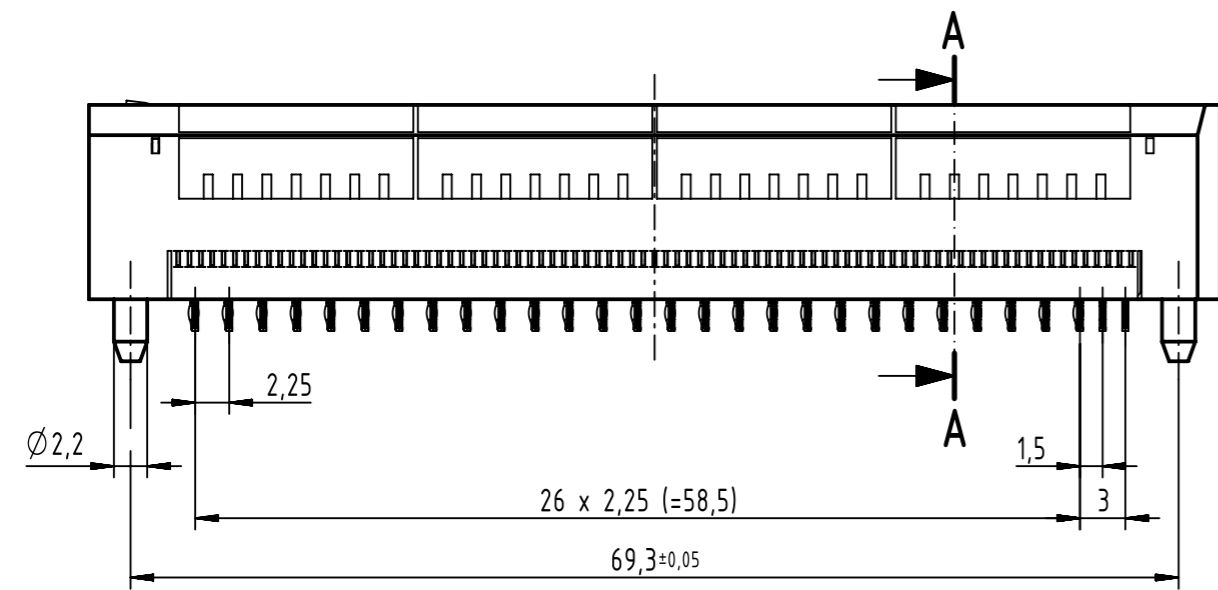
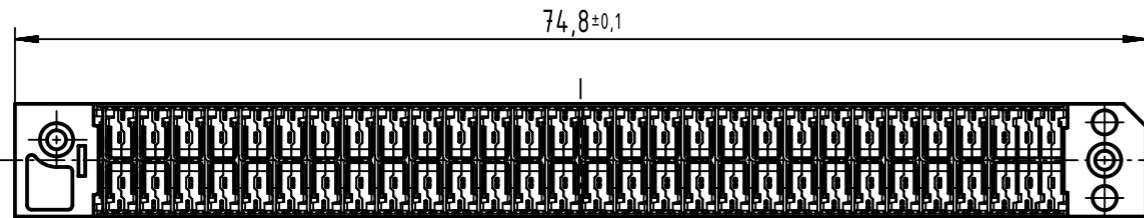
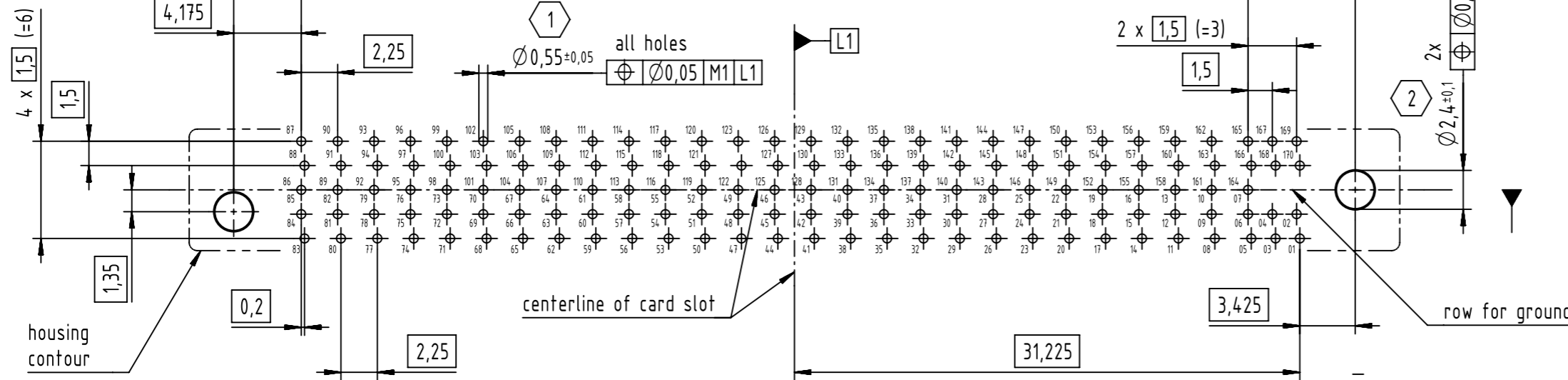
(69,3)

26 x 2,25 (=58,5)

2 x 1,5 (=3)

2x $\varnothing 2,4 \pm 0,1$

- 1 recommended drill hole $\varnothing 0.64 \pm 0.01\text{mm}$ (acc. to IEC 60352-5) through hole dia. (after plating): $\varnothing 0.55 \pm 0.05$
- 2 non-metallized drillings for alignment pegs



missing dimensions and information acc. to PICMG MicroTCA.0 (Micro Telecommunications Computing Architecture Base Specification)



	All Dimensions in mm Original Size DIN A3	Scale 2:1	Free size tol.	Ref.	
	All rights reserved Department EC PD - DE	Created by HASSE	Inspected by LUETTERMANN	Standardisation HOFFMANN	Date 2016-07-20
HARTING Electronics GmbH D-32339 Espelkamp	Title AMC for μ TCA Rev. 3 press-fit with alignment pegs			Doc-Key / ECM-Nr. 100179135/UGD/012/B 500000106720	
	Type TB	Number 16111705206000	Rev. B	Page 1/1	