

REV.	DATE	DESCRIPTION
01	Jun. 08, '20	1st RELEASE

Specifications

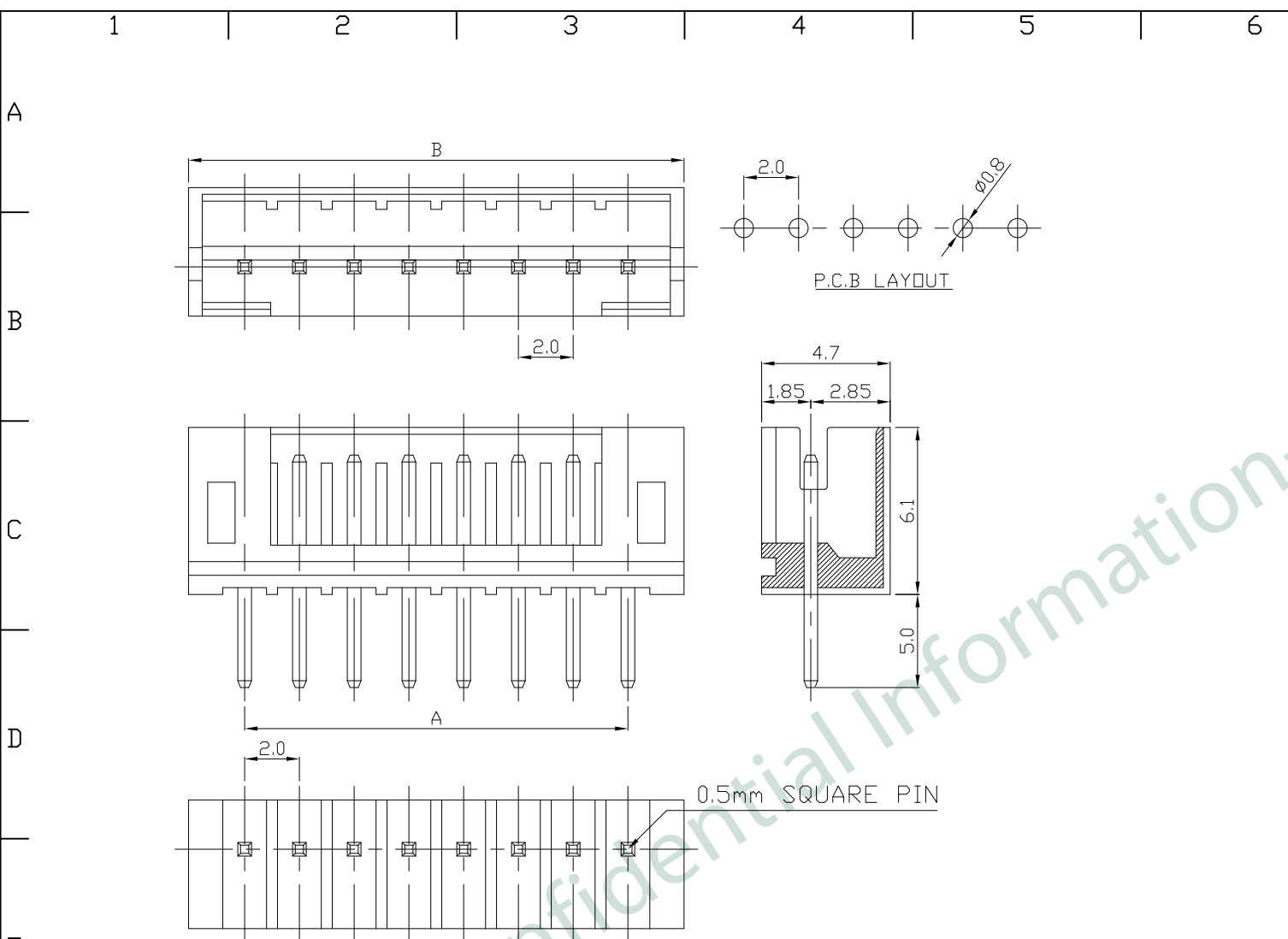
Electrical

- Voltage Rating: 100V(AC)
- Current Rating: 2A
- Contact Resistance: 20mΩ max.
- Dielectric Withstandeing Voltage: 800V AC/1min.
- Insulation Resistance: 1000MΩ min.

Material

- Circuits: 2~16
- Insulator: Nylon 66 UL 94V-0
- Color: White or Natural
- Contact: Brass 0.50mm(0.20") Square Pin
- Plating: Tin Plated
- Temperature Range: -25° C~+85° C
- Applicable PC Board Thickness: 0.8 to 1.6mm

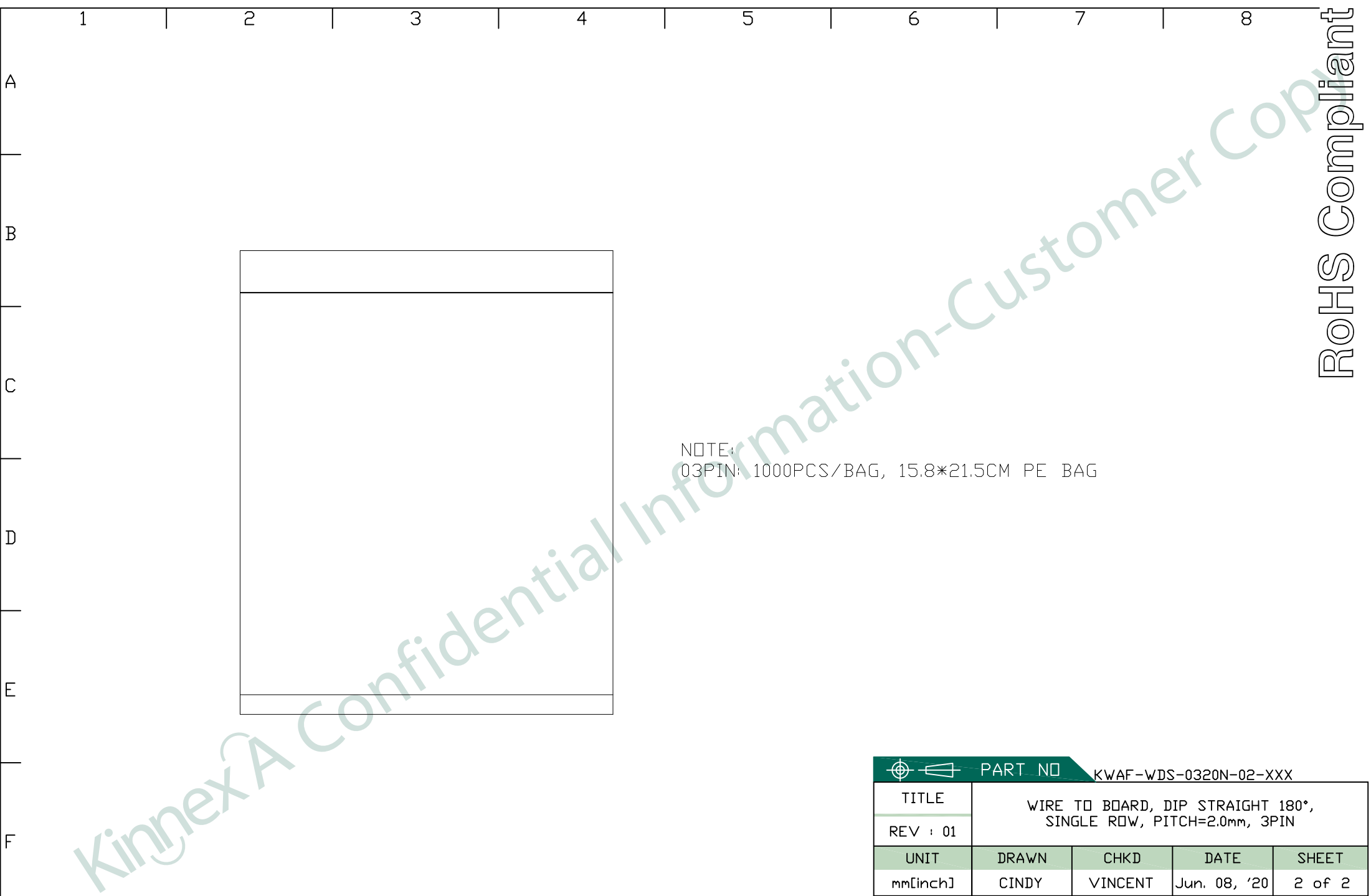
Poles	Dimension mm (in.)	
	A	B
02	2.0(0.079)	6.1(0.240)
03	4.0(0.157)	8.1(0.318)
04	6.0(0.236)	10.1(0.397)
05	8.0(0.315)	12.1(0.476)
06	10.0(0.394)	14.1(0.555)
07	12.0(0.472)	16.1(0.634)
08	14.0(0.551)	18.1(0.713)
09	16.0(0.630)	20.1(0.791)
10	18.0(0.709)	22.1(0.870)
11	20.0(0.787)	24.1(0.949)
12	22.0(0.886)	26.1(1.028)
13	24.0(0.945)	28.1(1.106)
14	26.0(1.024)	30.1(1.185)
15	28.0(1.102)	32.1(1.263)
16	30.0(1.181)	34.1(1.343)



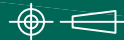
K WAF - WDS - 0320N - 02 - XXX

PRODUCT SERIES: K WAF
 CATEGORY: W: WIRE TO BOARD
 PCB CONNECTOR TYPE: D: DIP STRAIGHT 180°
 S: SINGLE ROW
 NUMBER OF PIN: 03
 HOUSING COLOR: N: NATURAL
 PITCH: 20: 2.0mm
 SERIAL NUMBER: 02
 CUSTOMER CODE: XXX

PART NO		K WAF - WDS - 0320N - 02 - XXX		
TITLE	WIRE TO BOARD, DIP STRAIGHT 180°, SINGLE ROW, PITCH=2.0mm, 3PIN			
REV : 01				
UNIT	DRAWN	CHKD	DATE	SHEET
mm[inch]	CINDY	VINCENT	Jun. 08, '20	1 of 2



NOTE:
03PIN: 1000PCS/BAG, 15.8*21.5CM PE BAG

 PART NO		KWAF-WDS-0320N-02-XXX		
TITLE	WIRE TO BOARD, DIP STRAIGHT 180°, SINGLE ROW, PITCH=2.0mm, 3PIN			
REV : 01				
UNIT	DRAWN	CHKD	DATE	SHEET
mm[inch]	CINDY	VINCENT	Jun. 08, '20	2 of 2