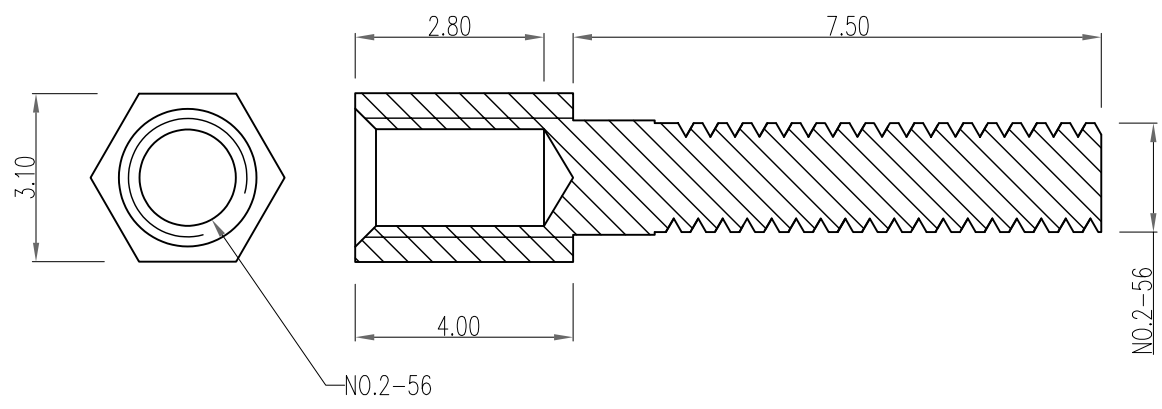
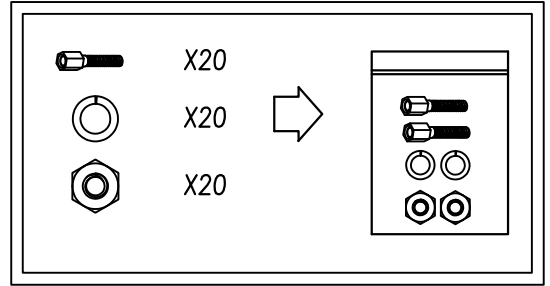


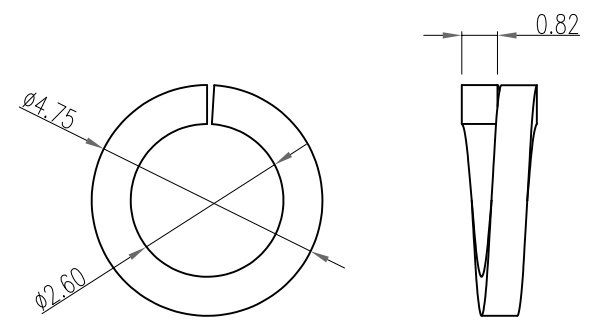
1. MATERIAL :
- 1-1. SCREW : BRASS
 - 1-2. WASHER : STEEL, ZINC PLATED
 - 1-3. NUT : STEEL, ZINC PLATED
2. FINISH :
- 2-1. SCREW :100u" NICKEL PLATED



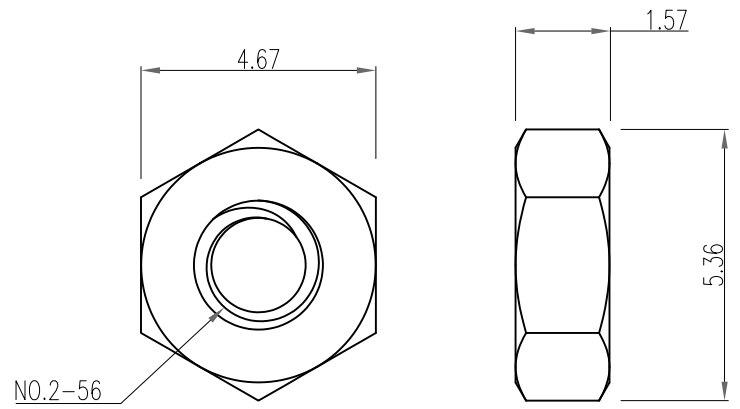
SCREW => 160-580-7.5SCRW



RECOMMENDED MAX. TORQUE = 30 in-oz



LOCK WASHER => LW3Z



NUT => N256Z

RoHS COMPLIANT

UNITS = mm

DO NOT SCALE FROM DRAWING



THESE DRAWINGS AND SPECIFICATIONS ARE THE PROPERTY OF NorComp AND SHALL NOT BE REPRODUCED, COPIED OR USED AS THE BASIS FOR THE MANUFACTURE OR SALE OF APPARATUS WITHOUT WRITTEN PERMISSION.

DRAWN:
J. KADEL
DATE:
08/24/2020

NorComp

SCALE: NTS	SHEET 1	OF 1	REV 2
DWG NO. 160-580-JSSRKT1			