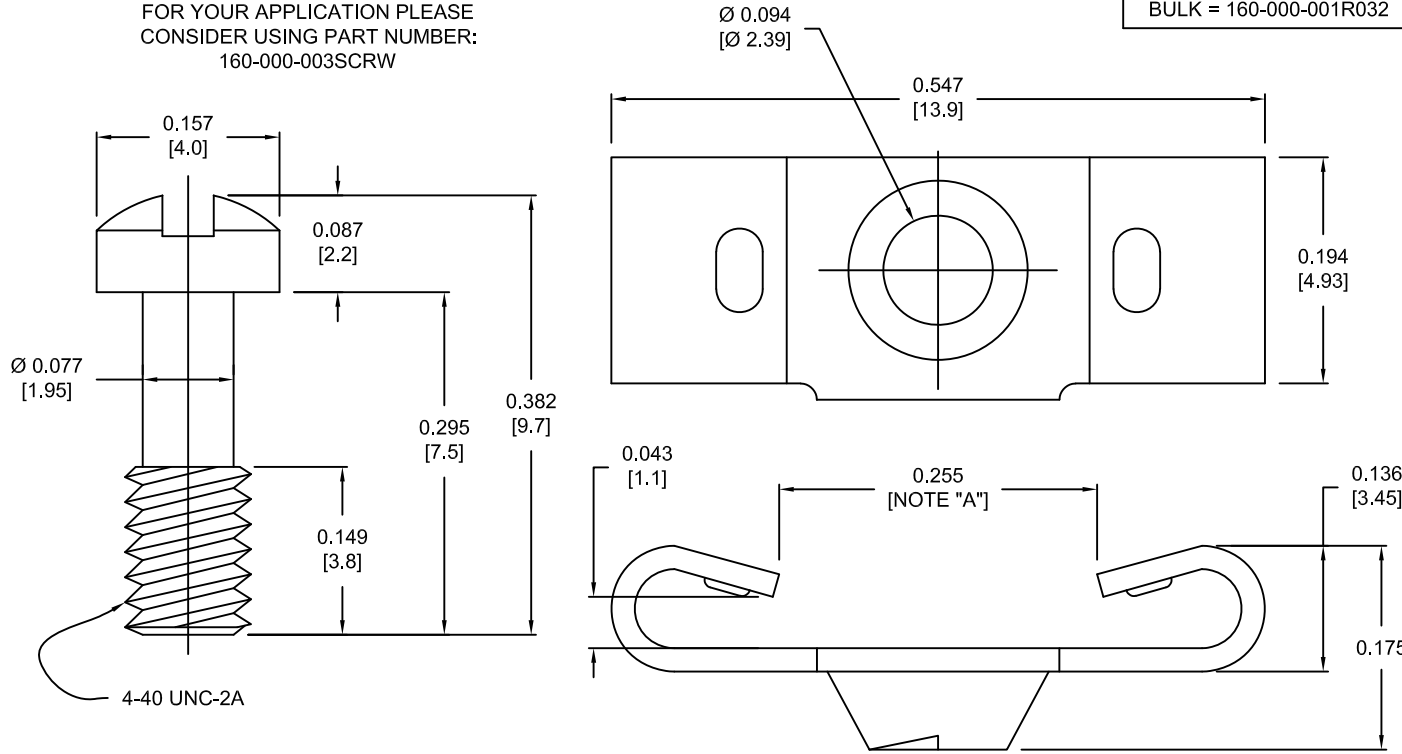


DESCRIPTION: 4-40 MALE SCREWLOCK / SLIP-ON

PART NUMBER	SCREW PART NUMBER	CLIP PART NUMBER	PLATING
KIT = 160-000-001R031	SSH4401T	RSO1T	NICKEL
BULK = 160-000-001R032	SSH4401T	RSO1T	NICKEL

**IF CAPTIVE SCREW IS TOO LONG FOR YOUR APPLICATION PLEASE CONSIDER USING PART NUMBER: 160-000-003SCRW

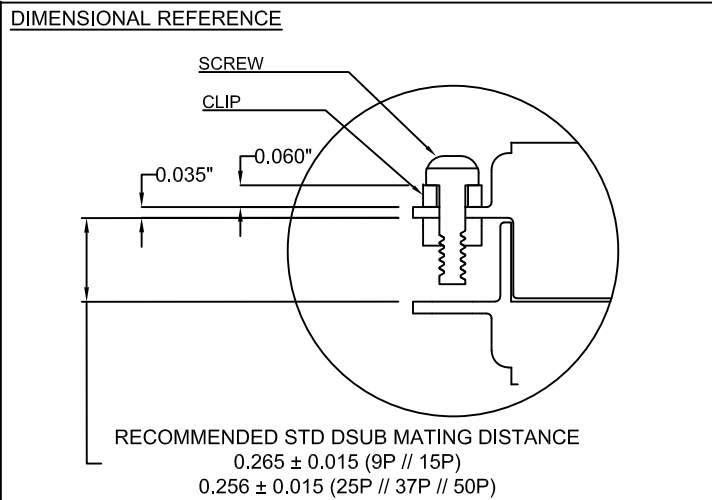


KIT INCLUDES:

(IN SEALED BAG)
2-SCREWS
2-CLIPS

MATERIAL:

SCREW: STEEL, NICKEL PLATED
CLIP: STEEL, NICKEL PLATED



NOTE "A" - FLEXIBLE SPRING STEEL ALLOWS RETENTION FOR DIFFERENT CONNECTOR THICKNESS

UNITS = INCHES [MM]

DO NOT SCALE FROM DRAWING



THESE DRAWINGS AND SPECIFICATIONS ARE THE PROPERTY OF NorComp AND SHALL NOT BE REPRODUCED, COPIED OR USED AS THE BASIS FOR THE MANUFACTURE OF SALE OF APPARATUS WITHOUT WRITTEN PERMISSION.

DRAWN: C. SMITH	DATE: 01-25-08
---------------------------	--------------------------

SCALE: NTS	SHEET 1	OF 1	REV 6
---------------	------------	---------	----------

DWG NO. **160-000-001R0YY**

RoHS COMPLIANT

NorComp