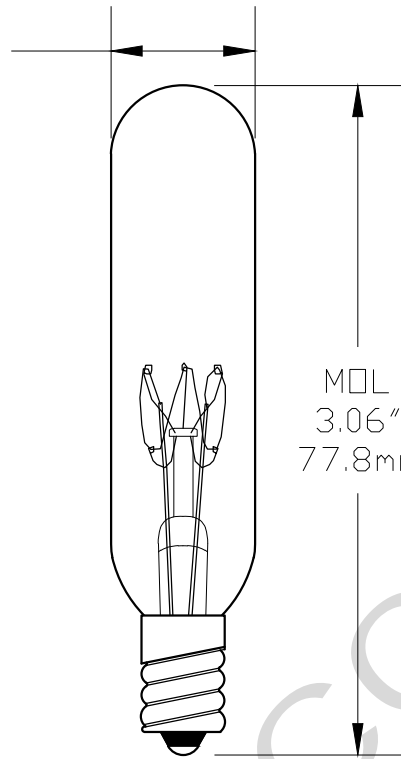




Since 1959

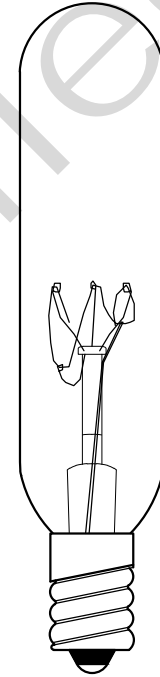
| PART NO. | BASE TYPE | DESIGN VOLTS | DESIGN WATTS | LUMENS | FILAMENT TYPE | AVERAGE LIFE HOURS | REVISIONS | | | |
|--------------|------------------------|--------------|--------------|--------|---------------|--------------------|-----------|-------------|------------|----------|
| | | | | | | | REV # | DESCRIPTION | DATE | APPROVED |
| 15T6 145V | Candelabra Screw (E12) | 145V | 15 | 102 | C-7A | 1,500 | 1 | ISSUED | 03/19/2009 | D.C. |
| | | | | | | | | | | |
| | | | | | | | | | | |

GDIA
0.75"
19.05mm

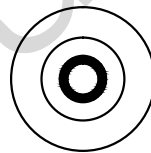


0° VIEW

T-6 BULB SHAPE
Clear Glass



90° VIEW



BASE BOTTOM VIEW



| | | | | | |
|---|---------|--------------------------------|------------|------------------------|----------------------|
| UNLESS OTHERWISE SPECIFIED: DIMENSIONS ARE IN INCHES TOLERANCES | | CEC INDUSTRIES LTD | | | |
| DECIMALS | ANGULAR | 599 BOND STREET | | LINCOLNSHIRE, IL 60069 | |
| .XX ± .05 | ± 0.5° | TITLE LIGHT BULB NO. 15T6-145V | | | |
| .XXX ± .010 | | DATE | 03/19/2009 | SIZE | A |
| FRACTIONAL | ± 1/64 | CHECKED | | FSCM NO. | |
| | | DESIGN | | DWG NO. | 15T6-145V |
| | | MATERIAL | | SCALE | |
| | | | | PLOT SCALE | |
| | | | | SHEET | 1 OF 1 |
| | | | | FILE | 15T6-145V.pdf |
| | | | | | DRAWING NOT TO SCALE |