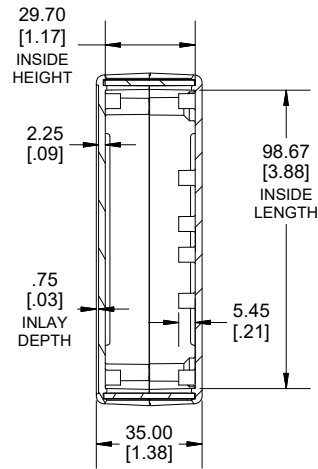
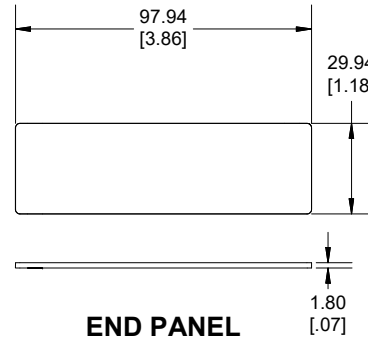


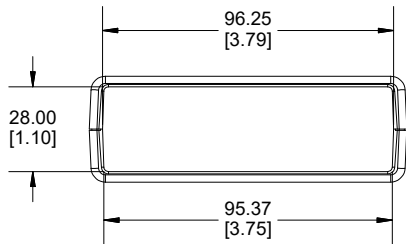
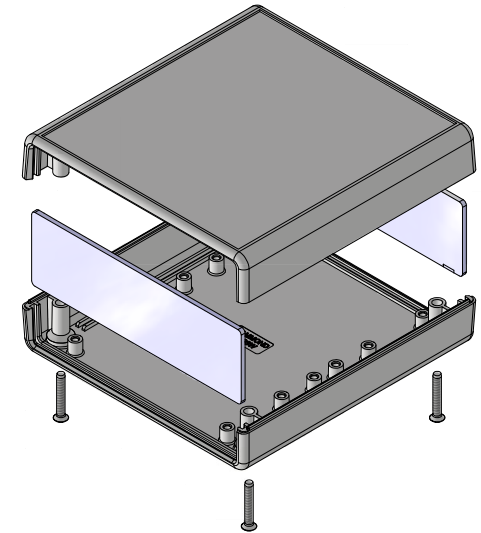
TOP VIEW



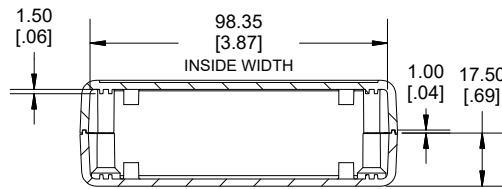
SECTION B-B



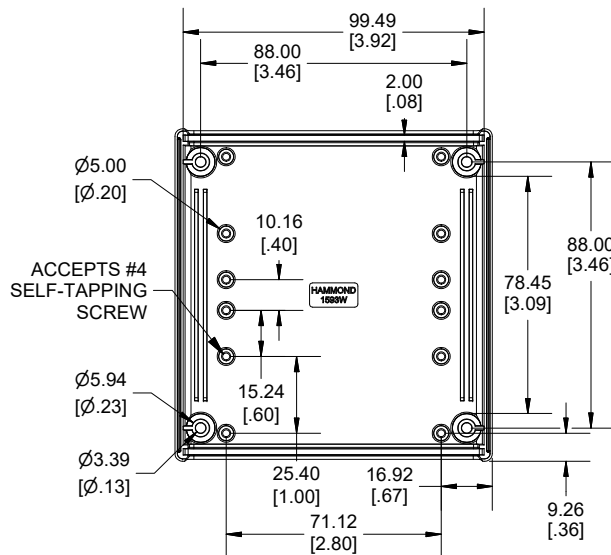
END PANEL



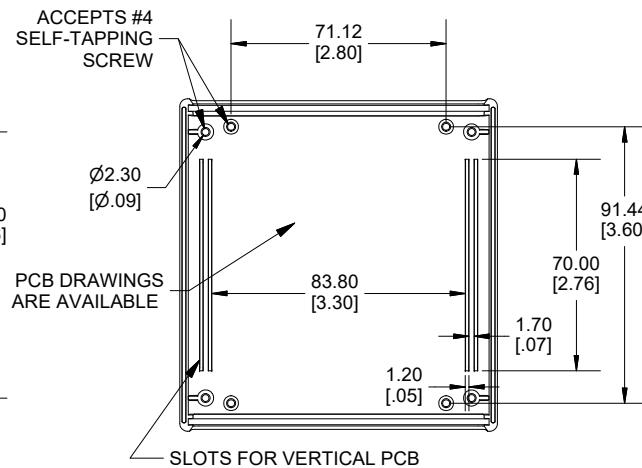
END VIEW



SECTION A-A



INSIDE BOTTOM



INSIDE TOP

Dimensions:
mm
[inches]

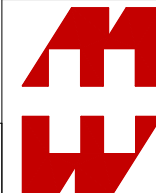
Enclosures can be Factory Modified (Milling, Drilling, Printing etc.)
Contact Factory (modshop@hammfg.com) for quotes
Solid models of this enclosure available in .stp or .x_t
(Part number and text placement/orientation on our products are subject to change,
we do not recommend using them as a locating reference for modification purposes)

NOTE

Enclosure molded from GP ABS (UL94-HB) plastic.
Purchased assembly includes top and bottom cover, 2 flat plastic panels for front and rear and 4 cover screws.

**Recommended Torque: Cover screws - 40 cN-m [57 ozf-in]
Internal mounting screws - 20-30 cN-m [29-42 ozf-in]**

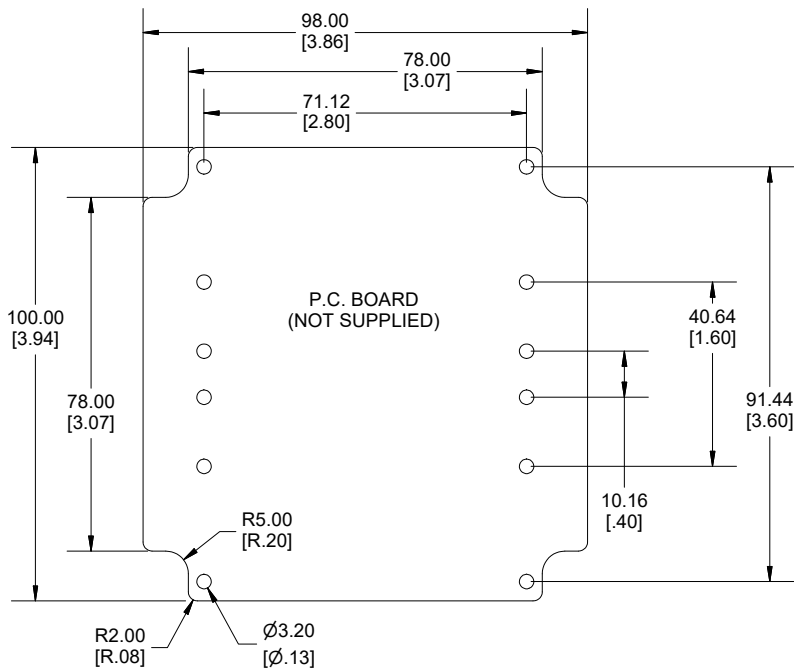
1593		
1593W Regular Enclosure		
Black Enclosure	1593WBK	
Grey Enclosure	1593WGY	
Translucent Blue Enclosure	1593WTBU	
ACCESSORIES		
Cover Screws #4 X 3/4" Self-Tapping (100 Pkg)	1593QS100 (Silver)	
	1593QS100BK (Black)	
P.C. Board Screws #4 X 1/4" Self-Tapping	1593ATS50 (Pkg 50)	
	1593ATS100 (Pkg 100)	
Nylon Belt Clip	1599CLIP (Black)	
	1599CLIPGY (Grey)	
1593W STD FLAT PANEL (Pkg 10)	Black	1593VLBK-10
	Grey	1593VLGY-10
	Translucent Blue	1593VLTBU-10
	Aluminum	1593VAL10



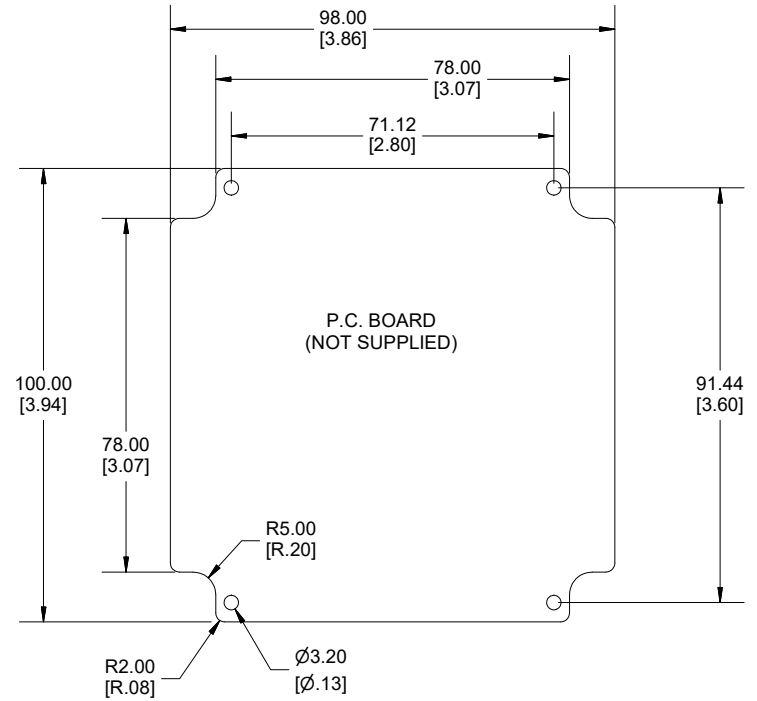
**HAMMOND
MANUFACTURING®**

1593W

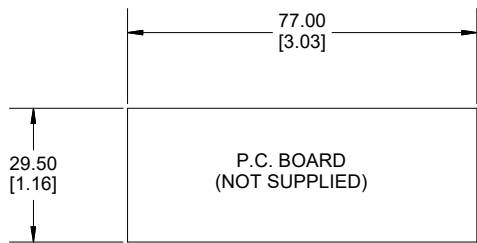
www.hammondmfg.com



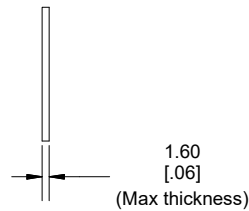
1593W PCB BOTTOM



1593W PCB TOP

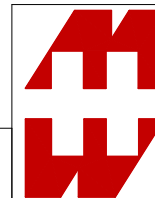


1593W PCB VERTICAL



MAX RECOMMENDED PCB SIZE
 (NOT SUPPLIED WITH ENCLOSURE,
 NOT AVAILABLE FOR PURCHASE)

Dimensions:
 mm
 [inches]



**HAMMOND
 MANUFACTURING.**
 DESIGN RESOURCE
 1593W PCB
 www.hammondmfg.com