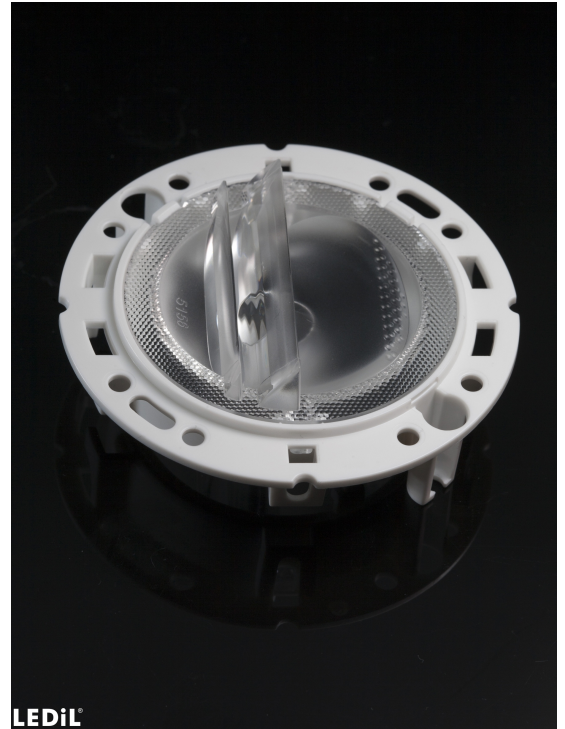


### RONDA-WAS-B

Asymmetric beam for wall washing with holder B compatible with 3rd party connectors from BJB, IDEAL and Stucchi

#### SPECIFICATION:

Dimensions	Ø 69.9 mm
Height	22.3 mm
Fastening	screw
ROHS compliant	yes ⓘ



#### MATERIALS:

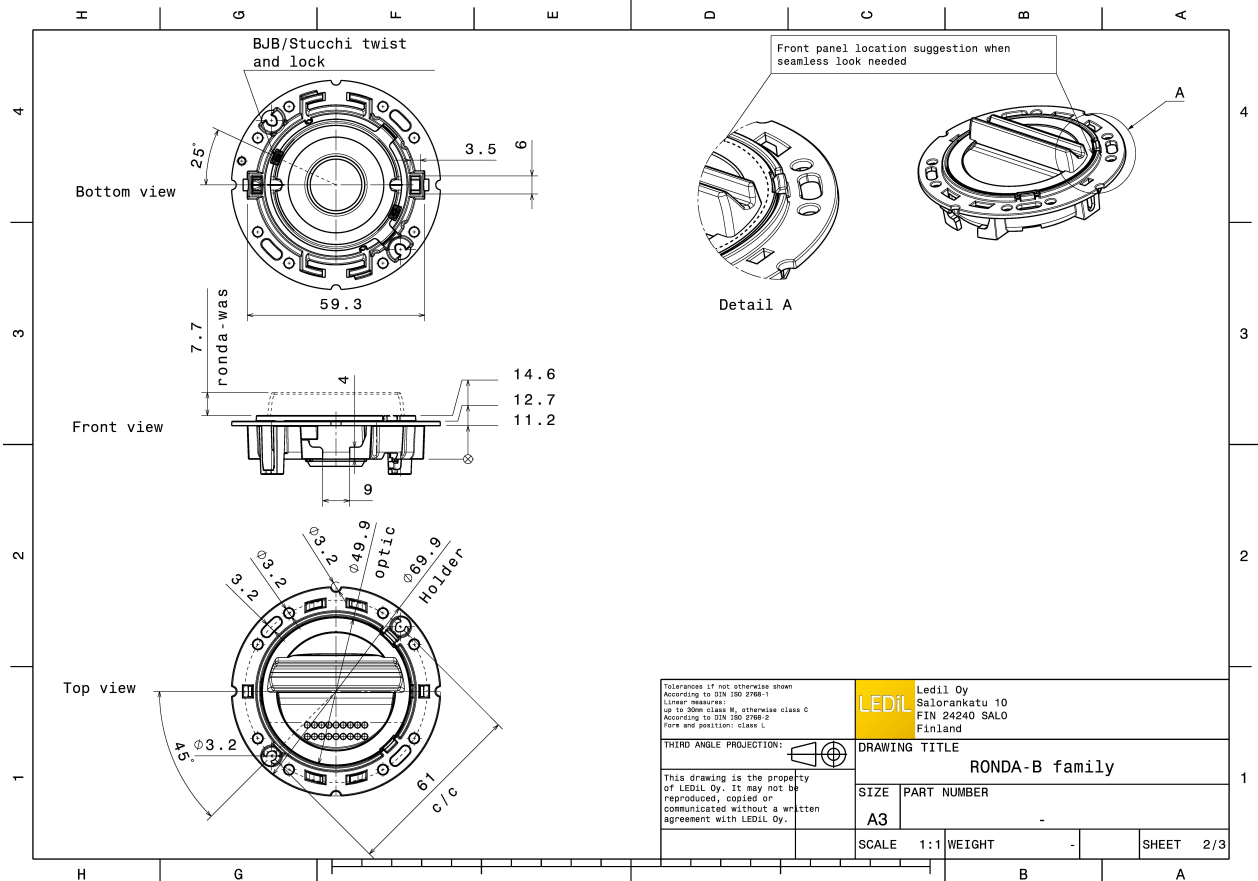
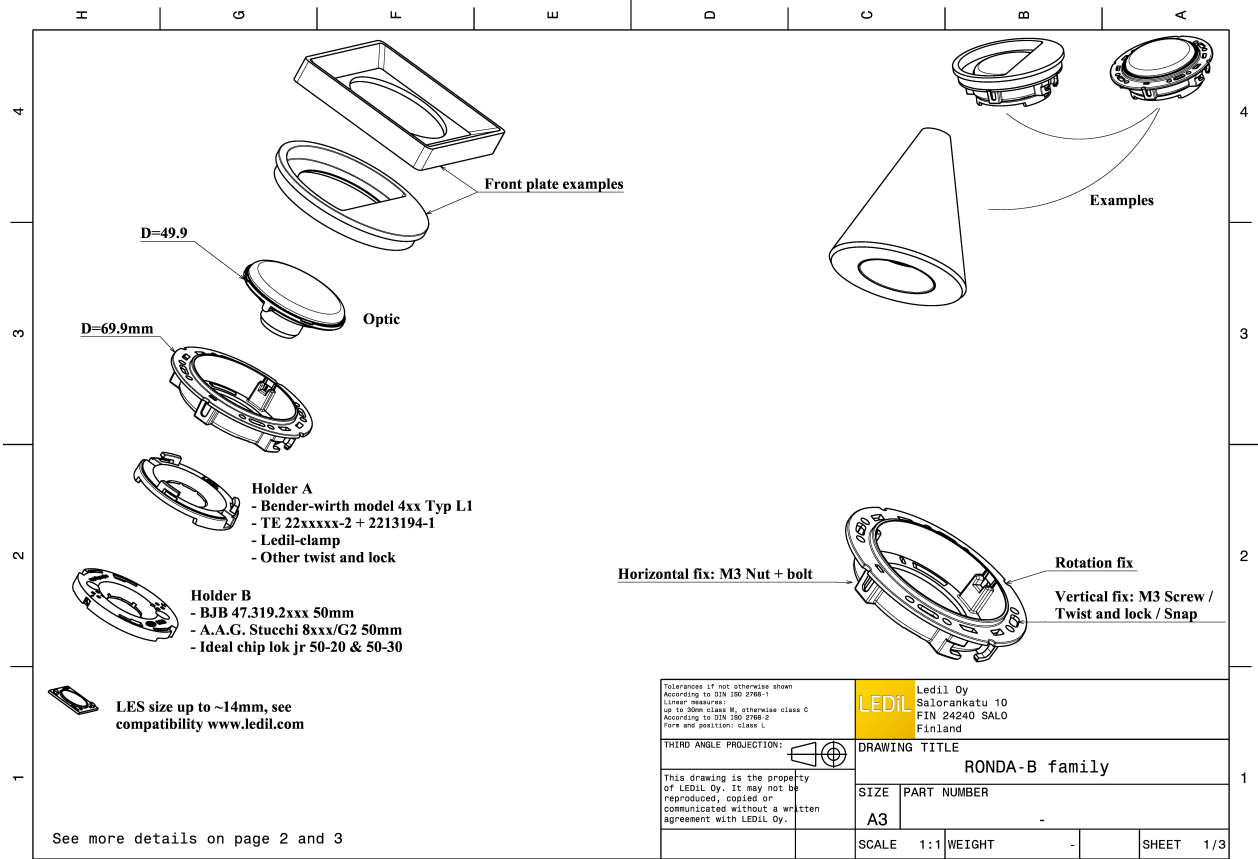
Component	Type	Material	Colour	Finish
F15156_RONDA-WAS	Single lens	PMMA	clear	
F15586_RONDA-HLD-B	Holder	PC	white	

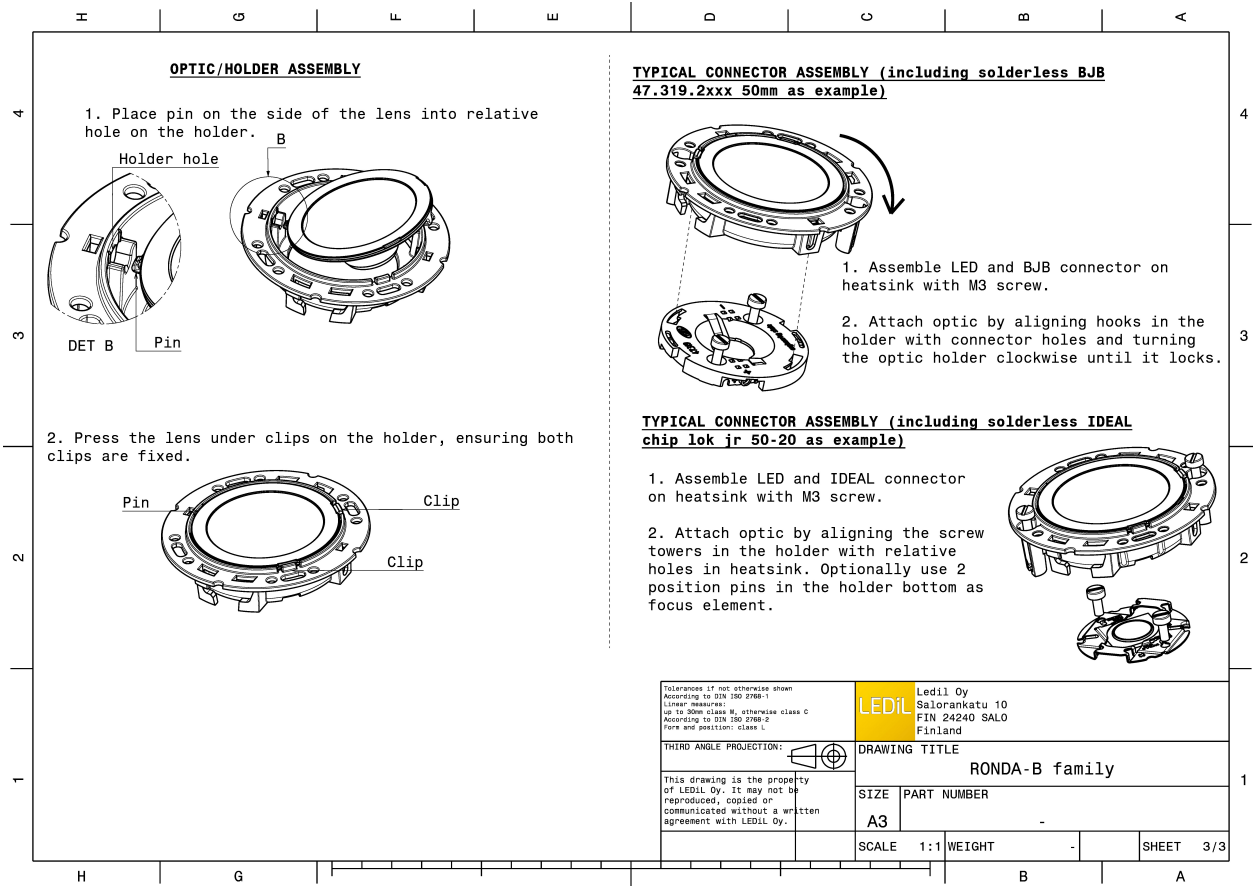
#### ORDERING INFORMATION:

##### Quantities for one set:

Single lens	1
Holder	1

Component		Qty in box	MOQ	MPQ	Box weight (kg)
F15156_RONDA-WAS	Single lens	420	120	30	7.3
» Box size: 480 x 280 x 300 mm					
F15586_RONDA-HLD-B	Holder	420	120	30	4.4
» Box size: 480 x 280 x 300 mm					





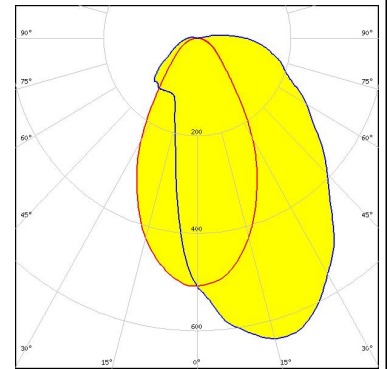
See also our general installation guide: [www.ledil.com/installation\\_guide](http://www.ledil.com/installation_guide)



### OPTICAL RESULTS (MEASURED):

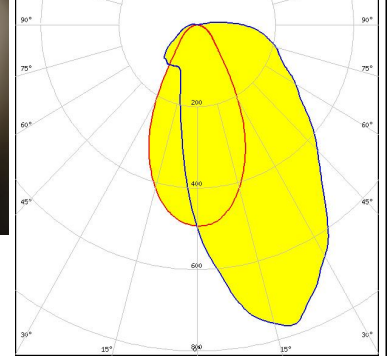
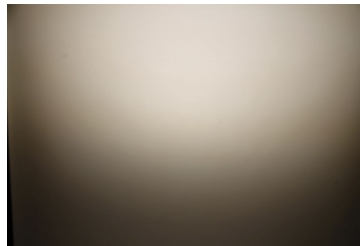
bridgelux.

LED V13 Gen7  
FWHM / FWTM Asymmetric  
Efficiency 89 %  
Peak intensity 0.6 cd/lm  
LEDs/each optic 1  
Light colour White  
Required components:  
BJB: 47.319.2021


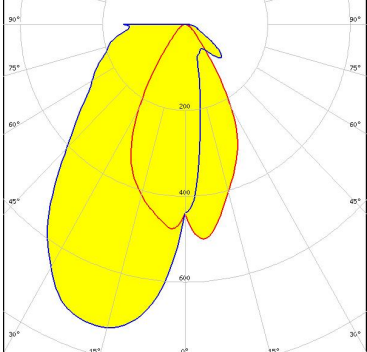

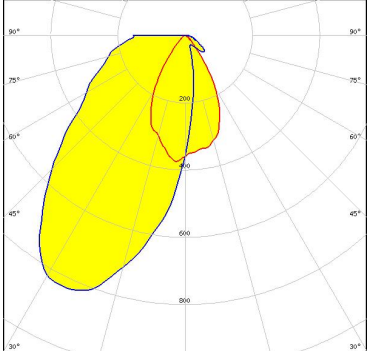
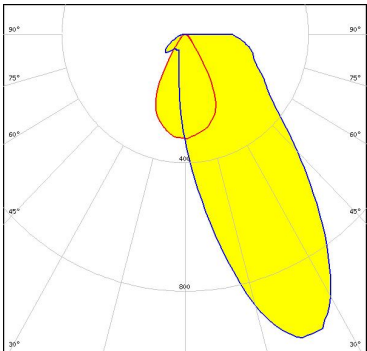

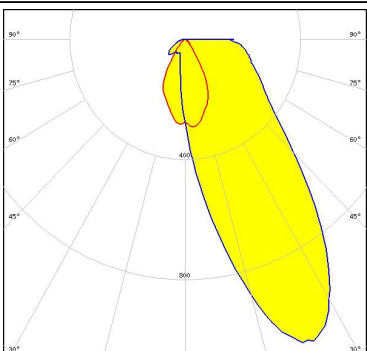


CREE  
LEDs

LED CXA/B 1816 & CXA/B 1820 & CXA 1850  
FWHM / FWTM Asymmetric  
Efficiency 91 %  
Peak intensity 0.8 cd/lm  
LEDs/each optic 1  
Light colour White  
Required components:  
BJB: 47.319.2131



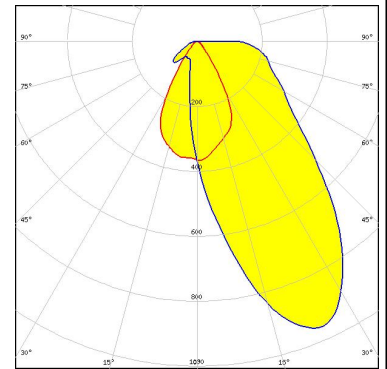
### OPTICAL RESULTS (SIMULATED):

<p> <b>bridgelux</b></p> <p>LED H12            FWHM / FWTM Asymmetric            Efficiency 81 %            Peak intensity 0.7 cd/lm            LEDs/each optic 1            Light colour White            Required components:            BJB: 47.319.2131</p>	
<p> <b>bridgelux</b></p> <p>LED V10 Gen7            FWHM / FWTM Asymmetric            Efficiency 84 %            Peak intensity 0.8 cd/lm            LEDs/each optic 1            Light colour White            Required components:            IDEAL: 50-2002CT</p>	
<p><b>CITIZEN</b></p> <p>LED CLL02x/CLU02x (LES10)            FWHM / FWTM Asymmetric            Efficiency 86 %            Peak intensity 1 cd/lm            LEDs/each optic 1            Light colour White            Required components:            IDEAL: 50-2002CT</p>	
<p> <b>CREE LEDs</b></p> <p>LED CXA/B 15xx            FWHM / FWTM Asymmetric            Efficiency 86 %            Peak intensity 1.1 cd/lm            LEDs/each optic 1            Light colour White            Required components:            IDEAL: 50-2001CR</p>	

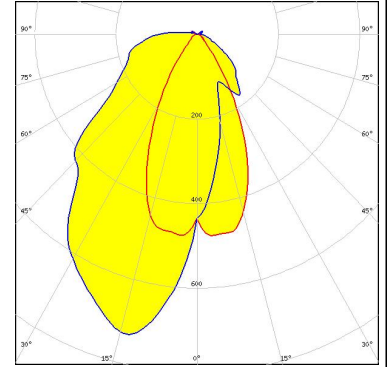
### OPTICAL RESULTS (SIMULATED):



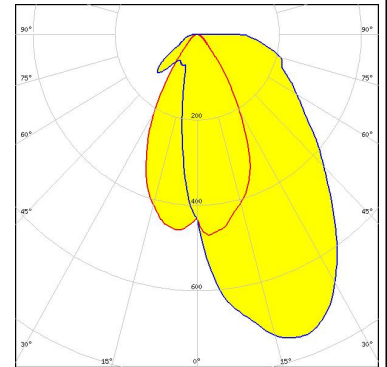
LED CXA/B 1816 & CXA/B 1820 & CXA 1850  
 FWHM / FWTM Asymmetric  
 Efficiency 86 %  
 Peak intensity 0.9 cd/lm  
 LEDs/each optic 1  
 Light colour White  
 Required components:  
 IDEAL: 50-3001CR



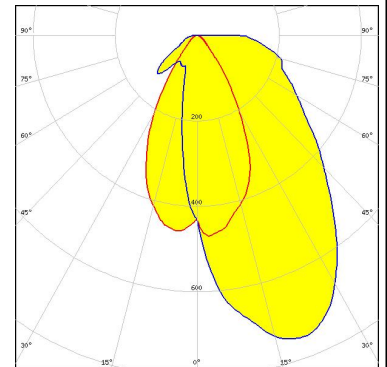
LED LUXEON CoB 1204/1205  
 FWHM / FWTM Asymmetric  
 Efficiency 81 %  
 Peak intensity 0.7 cd/lm  
 LEDs/each optic 1  
 Light colour White  
 Required components:  
 BJB: 47.319.2011



LED Soleriq S13  
 FWHM / FWTM Asymmetric  
 Efficiency 82 %  
 Peak intensity 0.8 cd/lm  
 LEDs/each optic 1  
 Light colour White  
 Required components:  
 A.A.G. STUCCHI: 8502-G2



LED Soleriq S13  
 FWHM / FWTM Asymmetric  
 Efficiency 82 %  
 Peak intensity 0.8 cd/lm  
 LEDs/each optic 1  
 Light colour White  
 Required components:  
 BJB: 47.319.6111



### OPTICAL RESULTS (SIMULATED):

#### OSRAM

Opto Semiconductors

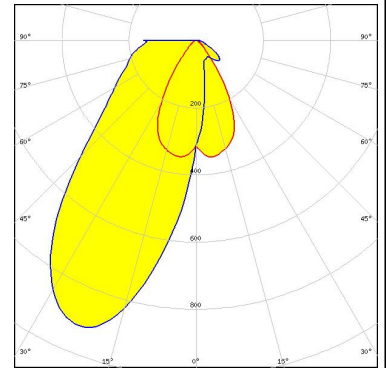
LED Soleriq S13 19x19  
 FWHM / FWTM Asymmetric  
 Efficiency 83 %  
 Peak intensity 0.8 cd/lm  
 LEDs/each optic 1  
 Light colour White  
 Required components:  
 BJB: 47.319.2021

SetPlotResolution(4); X range error = min >= max

#### OSRAM

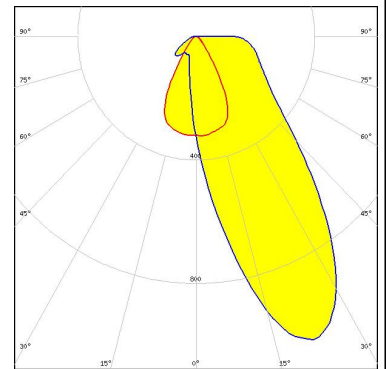
Opto Semiconductors

LED Soleriq S9  
 FWHM / FWTM Asymmetric  
 Efficiency 86 %  
 Peak intensity 0.9 cd/lm  
 LEDs/each optic 1  
 Light colour White  
 Required components:  
 IDEAL: 50-2002CT



#### SHARP

LED Mini Zenigata (GW6BM)  
 FWHM / FWTM Asymmetric  
 Efficiency 85 %  
 Peak intensity 1.1 cd/lm  
 LEDs/each optic 1  
 Light colour White  
 Required components:  
 IDEAL: 50-2000P



### GENERAL INFORMATION:

NOTE: The typical beam angle will be changed by different color, chip size and chip position tolerance. The typical total beam angle is the full angle measured where the luminous intensity is half of the peak value.

Due to use of high power COB's with this product, special attention to proper thermal design is highly recommended. LEDiL has no liability for direct, indirect or consecutive damages arising from the LEDiL products being used outside of the recommended temperature range.

### MATERIALS:

As part of our continuous research and improvement processes, and to ensure the best possible quality and availability of our products, LEDiL reserves the right to change material grades without notice.

### PRODUCT DATA USER AGREEMENT AND DISCLAIMER:

The measured data in the provided downloadable LEDiL Product Datasheets and Mechanical 2D-Drawings is rounded and provided as reference for planning. LEDiL Oy's optical specifications have been verified by conducting performance testing of the products in accordance with the company's quality system. The reported data are averaged results of multiple measurements with typical variation. LEDiL Oy reserves the right to without prior notification make changes and improvements to its products.

LEDiL Oy assumes neither warranty, nor guarantee nor any other liability of any kind for the contents and correctness of the provided data. The provided data has been generated with highest diligence but the provided data may in reality not represent the complete possible variation range of all intrinsic parameters. Therefore, in certain cases a deviation from the provided data could occur.

LEDiL Oy reserves the right to undertake technical changes of its products without further notification which could lead to changes in the provided data. LEDiL Oy assumes no liability of any kind for the possible deviation from any provided data or any other damage resulting from the usage of the provided data.

The user agrees to this disclaimer and user agreement with the download or usage of the provided files.

#### LEDiL Oy

Joensuunkatu 13  
FI-24240 SALO  
Finland

#### LEDiL Inc.

228 West Page Street  
Suite D  
Sycamore IL 60178  
USA

#### Ledil Optics Technology (Shenzhen) Co., Ltd.

# 405 , Block B  
Casic Motor Building  
Shenzhen 518057  
P.R.CHINA

#### Local sales and technical support

[www.ledil.com/  
where\\_to\\_buy](http://www.ledil.com/where_to_buy)

#### Shipping locations

Salo, Finland  
Hong Kong, China

#### Distribution Partners

[www.ledil.com/  
where\\_to\\_buy](http://www.ledil.com/where_to_buy)