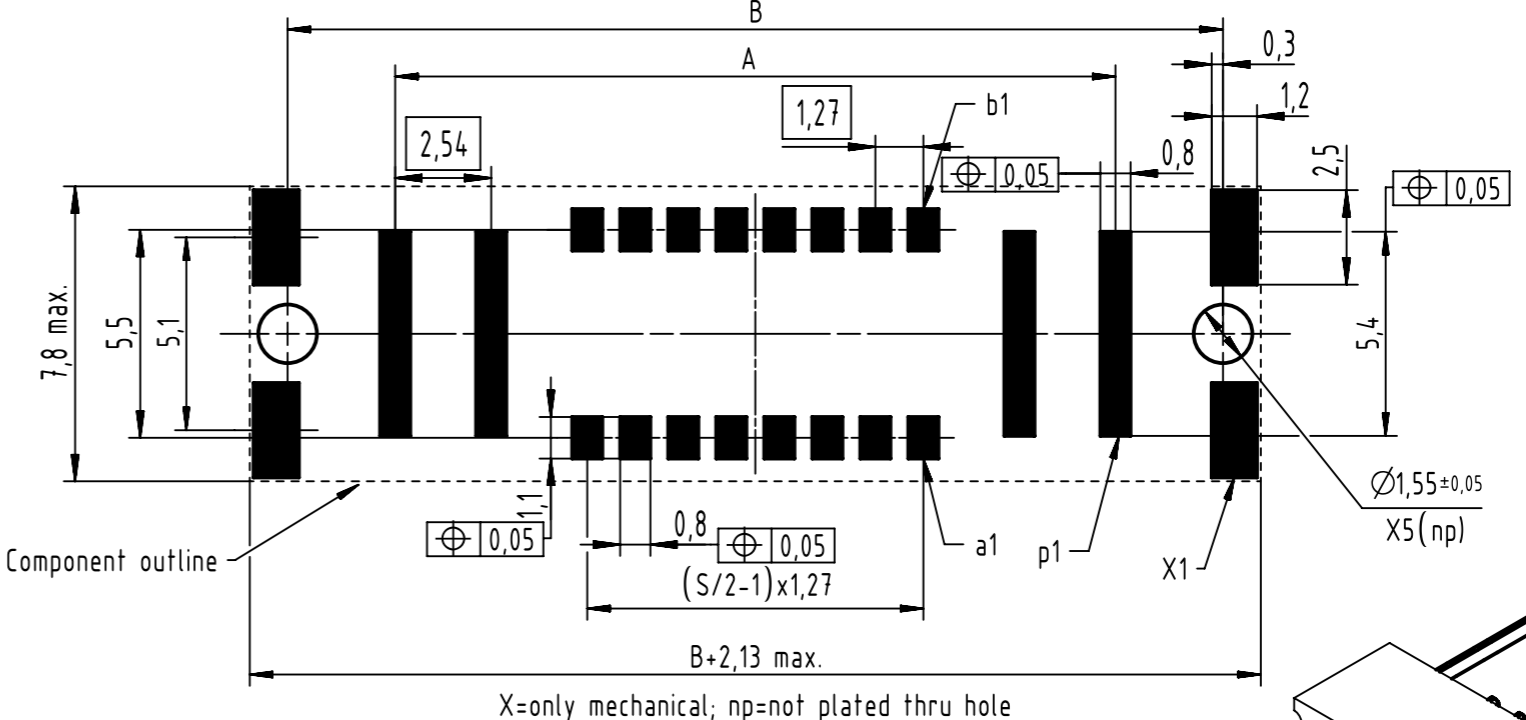


Power poles P=	Signal poles S=	Part number	A	B	C	D	E	F	G
2	08	1572 208 X601 XXX	8,89	14,58	16,51	13,38	12,38	14,18	4,86
4	16	1572 416 X601 XXX	19,05	24,74	26,67	23,54	22,54	24,34	9,94
6	26	1572 626 X601 XXX	30,48	36,17	38,10	34,97	33,97	35,77	15,66
8	36	1572 836 X601 XXX	41,91	47,60	49,53	46,40	45,40	47,20	21,37

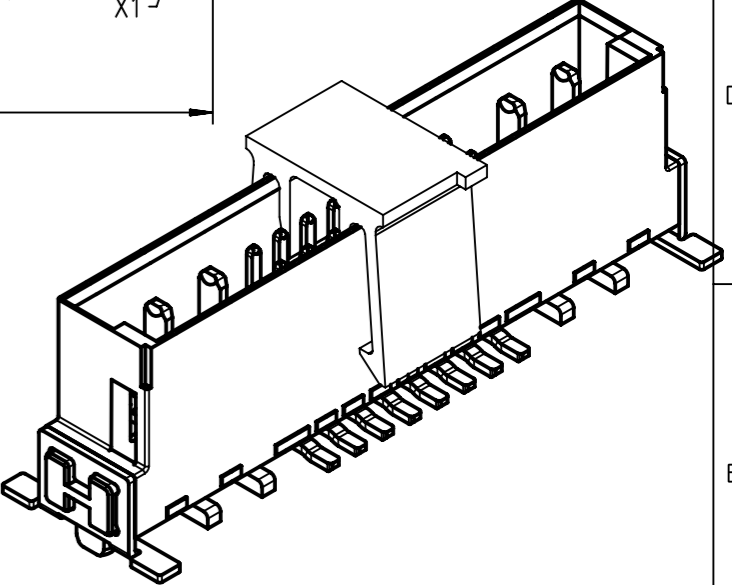
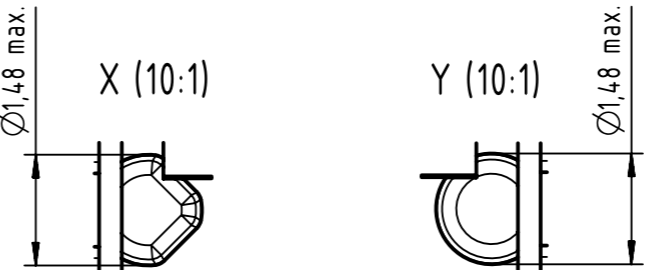
Packaging	
tape & reel with 280 pcs per reel	000
samples	333

Performance level	
PL1 : > 500 mating cycles	2

Recommended PCB Layout



X-only mechanical; np-not plated thru hole



Find further technical information see data sheet

	All rights reserved	Created by CHENSK	Inspected by WANGSTE	Standardisation 302077	Date 2020-11-02	State Final Release
	Department EL PD	Title Har-flex hybrid male conn SMT 3.25mm		Doc-Key / ECM-Nr. 10077994/UGD/001/B 500000182171		
HARTING Electronics GmbH D-32339 Espelkamp		Type TB	Number 1572XXXX601XXX		Rev. B	Page 1/2



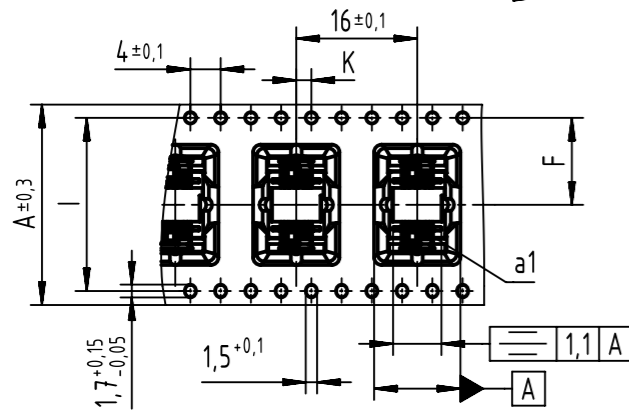
har-flex[®] straight male power connector



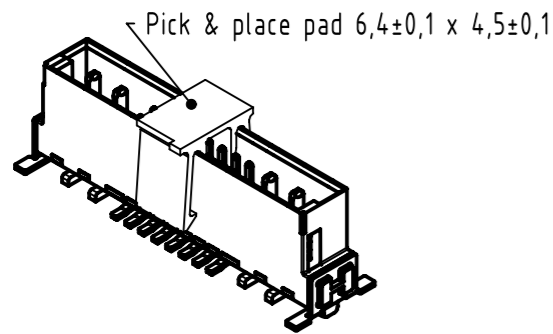
TAPE LAYOUT & PACKAGING

Tape acc. to IEC 60286-3

Reel off direction \rightarrow X



Tape dimensions:	A	F	I	K
poles 2P+8S	32,0	14,2±0,10	28,4	2±0,1
poles 4P+16S	44,0	20,2±0,10	40,4	2±0,15
poles 6P+26S	56,0	26,2±0,10	52,4	2±0,15
poles 8P+36S	72,0	34,2±0,30	68,40	2±0,20



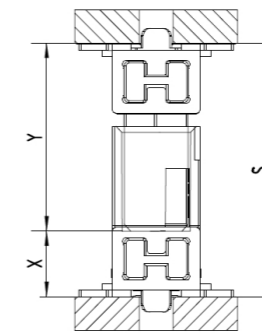
Packaging indices ("XXX" in part number)

Index	Stacking height	Packaging unit	Packaging
000	3,25mm	280	Tape&reel
333	All	1	Tape

APPLICATION INFORMATION

S	15mm	
	14mm	
	13mm	
	12mm	
	11mm	
	10mm	
	9mm	
X&Y	stacking heights	male 3.25mm female 9.05mm
	S	PCB distance 12.3mm 13.8mm
	part numbers	1552... 1562...

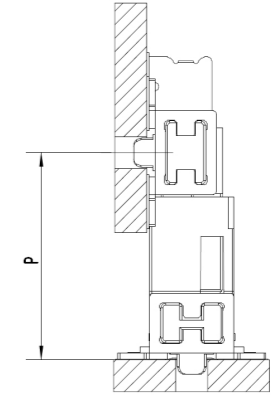
Straight female



Straight male

3,25	9,05	12,3	13,8
X	Y	Smin	* Smax

Angled female

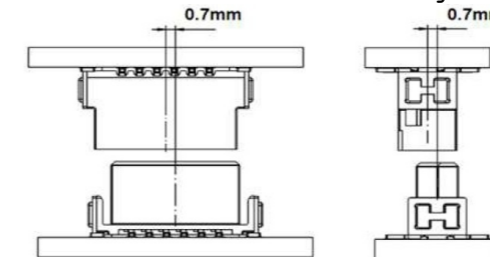


Straight male

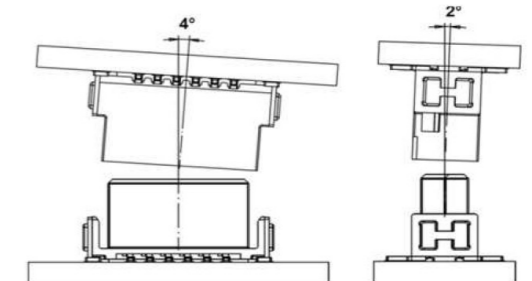
3,25	10,50
X	P min.

*Smax = Smin +1.5 wiping length with additional contact overlap security

Admissible mismatching

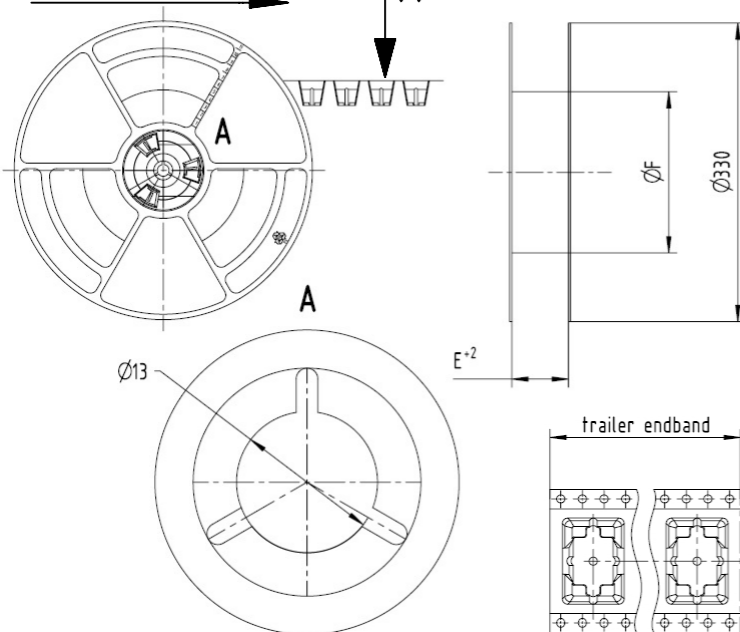


Admissible inclination



REEL DIMENSIONS

Reel off direction \rightarrow X



Reel dimensions:	E	F
Poles 2P+8S	32,4	178mm for stacking height 3,25mm
Poles 4P+16S	44,4	
Poles 6P+26S	56,0	
Poles 8P+36S	72,0	



All Dimensions in mm
Original Size DIN A3

Scale
1:1

Free size tol.

Ref.

Sub.



All rights reserved

Department EL PD

Created by
CHENSK

Inspected by
WANGSTE

Standardisation
302077

Date
2020-11-02

State
Final Release

Title
Har-flex hybrid male conn SMT 3.25mm

Doc-Key / ECM-Nr.
10077994/UGD/001/B
500000182171

HARTING Electronics GmbH

D-32339 Espelkamp

Type
TB

Number
1572XXXX601XXX

Rev.
B

Page
2/2