

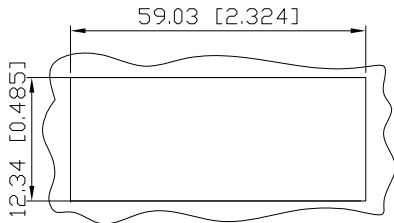
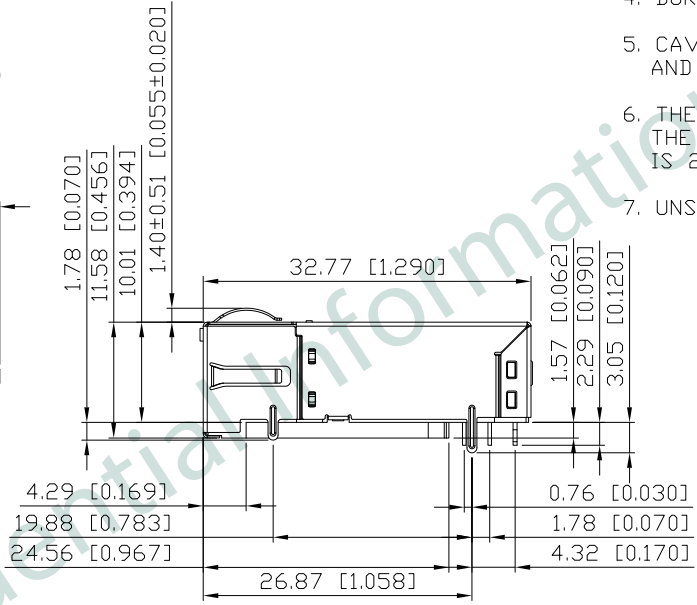
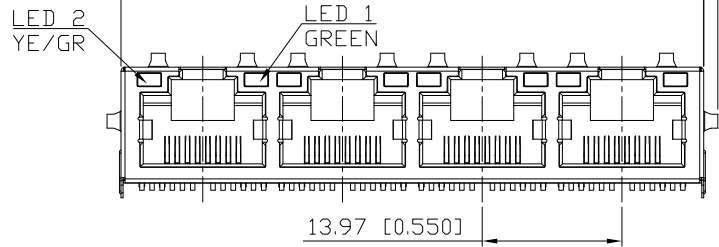
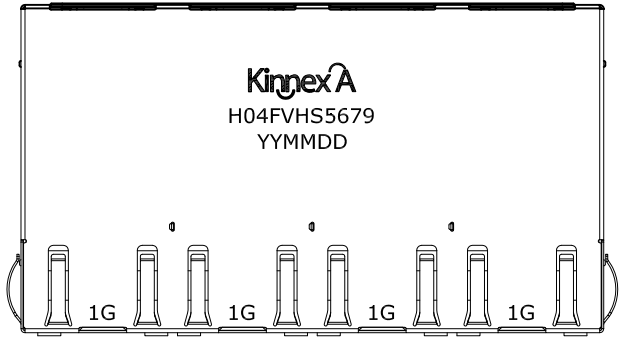
1. MECHANICAL DIMENSIONS :

REV.	DATE	DESCRIPTION
04	Jun. 26, '19	CHANGE DESIGN
03	Dec. 18, '18	1. UPDATE NOTE NO.3 2. UPDATE LED SPECIFICATION
02	Dec. 05, '18	UPDATE LED SPECIFICATION

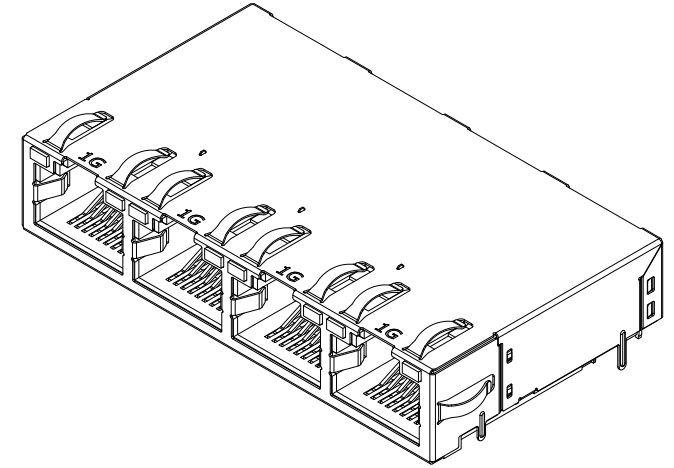
NOTES:

- MATERIAL:  
HOUSING: HIGH THERMOPLASTIC, UL94V-0, BLACK  
CONTACTS: PHOS-BRONZE,  
50u" GOLD PLATING ON CONTACT AREA,  
NICKEL UNDERPLATING OVERALL  
SHIELD: COPPER ALLOY, NICKEL PLATING
- OPERATING TEMPERATURE: 0°C~+70°C
- MATING FORCE: 4 POUNDS MAX.  
UNMATING FORCE: 4 POUNDS MAX.
- DURABILITY: 750 MATING CYCLED MIN.
- CAVITY CONFORMS TO FCC RULES  
AND REGULATIONS PART 68, SUBPART F.
- THE PART IS RECOMMENDED FOR WAVE SOLDERING,  
THE SUGGESTED PEAK WAVE SOLDERING CONDITION  
IS 260°C MAX. AND 10 SECONDS MAX.
- UNSPECIFIED TOLERANCE: .XX ±0.25[0.010]  
.X ±0.30[0.012]

Halogen Free  
RoHS Compliant



RECOMMENDED  
PANEL CUTOUT DIMENSION  
SCALE 1:2



PART NO		KRH-04F-V-HS5-679-XXX		
TITLE	RJ45 1X4, W/1G TRANSFORMER, W/LED, SHIELDED			
REV : 04				
UNIT	DRAWN	CHKD	DATE	SHEET
mm[inch]	CINDY	VINCENT	Jun. 26, '19	1 of 6

2. PCB LAYOUT :

A

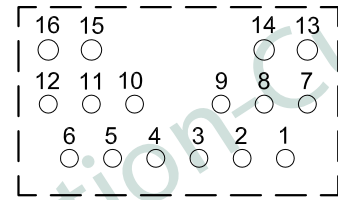
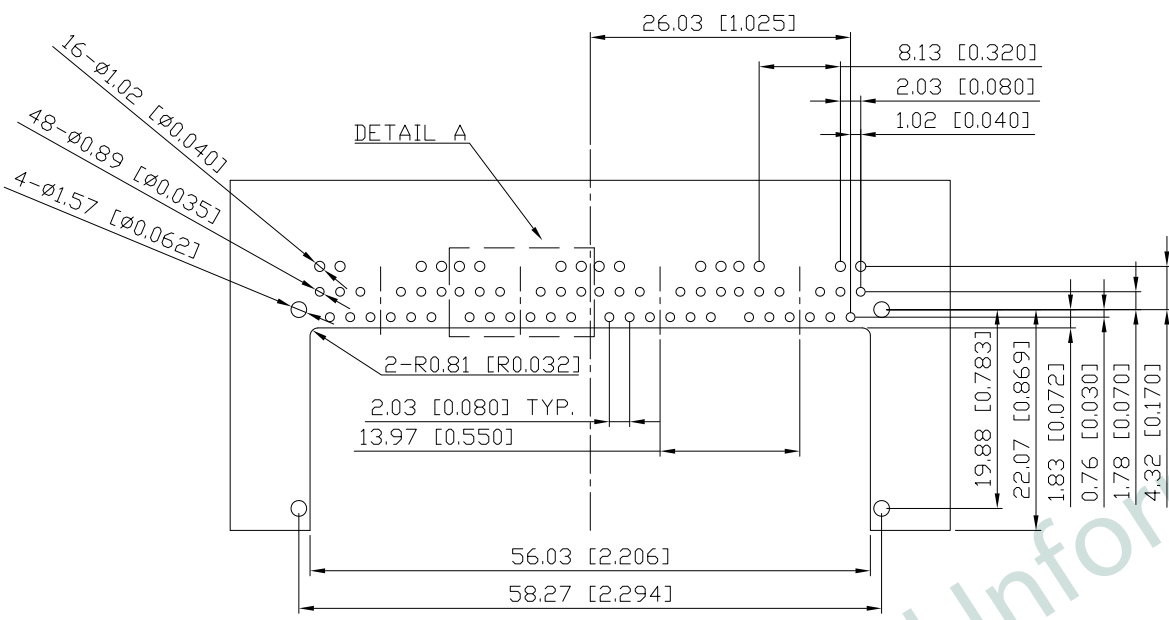
B

C

D

E

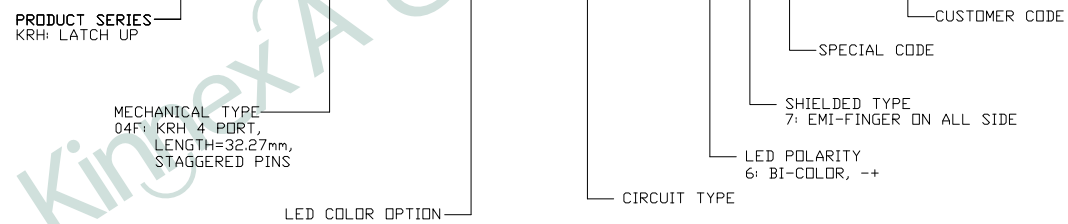
F



P#	DEFINITION
P1	CT
P2	MD(1)-
P3	MD(1)+
P4	MD(2)+
P5	MD(2)-
P6	CT
P7	CT
P8	MD(0)+
P9	MD(0)-
P10	MD(3)-
P11	MD(3)+
P12	CT
P13	RIGHT GR+
P14	RIGHT GR-
P15	LEFT GR+
P16	LEFT YE+

SUGGESTED PCB LAYOUT  
TOP VIEW  
DIMENSIONAL TOLERANCE: .XX ±0.08[0.003]

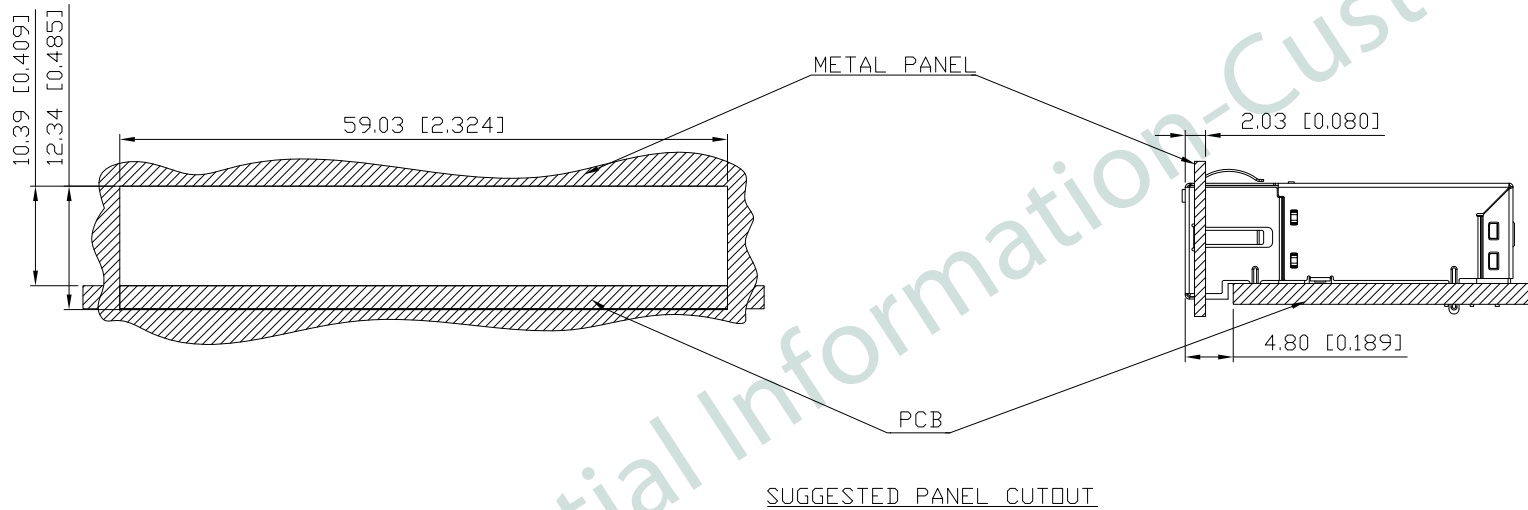
KRH-04F-V-HS5-679-XXX



PART NO		KRH-04F-V-HS5-679-XXX			
TITLE	RJ45 1X4, W/1G TRANSFORMER, W/LED, SHIELDED				
REV : 04					
UNIT	DRAWN	CHKD	DATE	SHEET	
mm[inch]	CINDY	VINCENT	Jun. 26, '19	2 of 6	


Halogen Free  
RoHS Compliant

3. PANEL CUTOUT:



DIMENSIONS ARE IN INCHES [MILLIMETERS] WITH THE FOLLOWING TOLERANCES: [MILLIMETERS] ARE FOR REFERENCE ONLY.

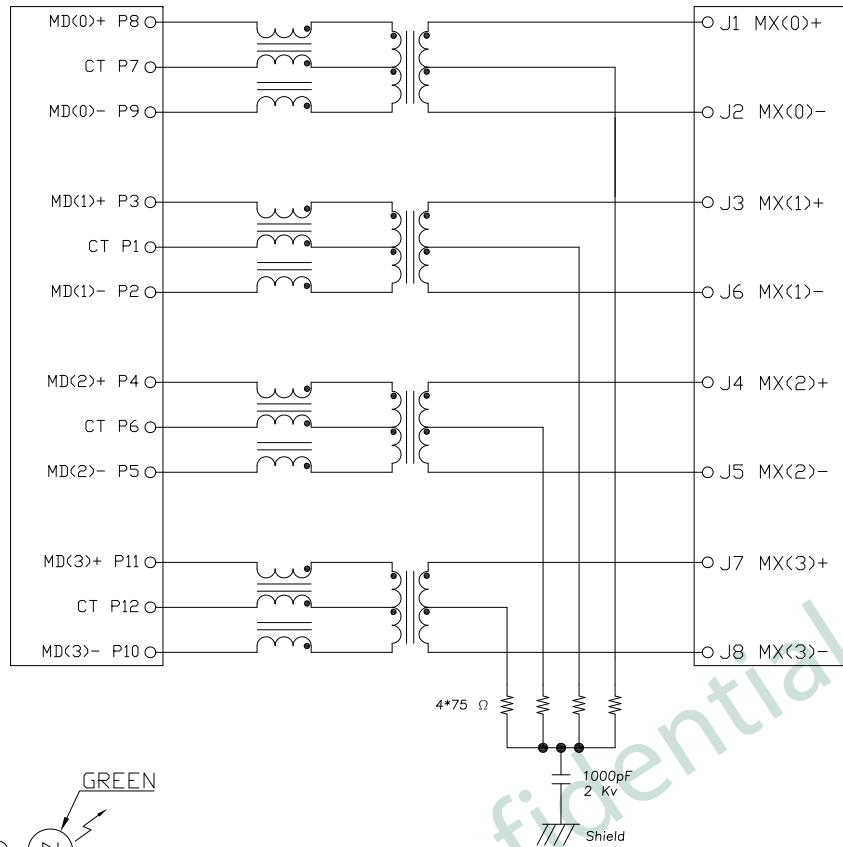
.XXX = ±0.10 [±0.25]

 PART NO		KRH-04F-V-HS5-679-XXX		
TITLE	RJ45 1X4, W/1G TRANSFORMER, W/LED, SHIELDED			
REV : 04				
UNIT	DRAWN	CHKD	DATE	SHEET
mm[inch]	CINDY	VINCENT	Jun. 26, '19	3 of 6

4. SCHEMATIC:

LAN CHIP SIDE

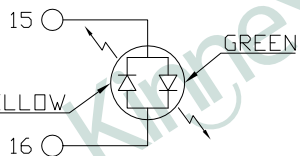
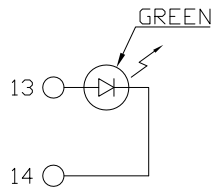
RJ CABLE SIDE



5. ELECTRICAL CHARACTERISTICS :

TEST NOTES:(25±5°C)

- TR:  
INPUT TO OUTPUT=1:1±3%
- Δ OCL: <100KHz, 100mV, 8mA, DC Bias>  
250uH MINIMUM
- DCR:  
EVERY RJ PAIR=1.2 Ω MAXIMUM
- INSERTION LOSS:  
-0.8dB MAXIMUM AT 0.3MHz TO 100MHz  
-1.2dB MAXIMUM AT 100MHz TO 125MHz
- RETURN LOSS:  
-20dB MINIMUM AT 1MHz TO 30MHz  
-16dB MINIMUM AT 30MHz TO 60MHz  
-12dB MINIMUM AT 60MHz TO 100MHz
- CROSS TALK:  
-40dB MINIMUM AT 1MHz TO 10MHz  
-35dB MINIMUM AT 30MHz TO 60MHz  
-30dB MINIMUM AT 60MHz TO 100MHz
- CM TO CM MODE REJECTION:  
-30dB MINIMUM AT 300KHz TO 100MHz
- HIPOT:  
INPUT<RJ SIDE> TO OUTPUT<LAN SIDE>:  
1500 VAC/60SEC

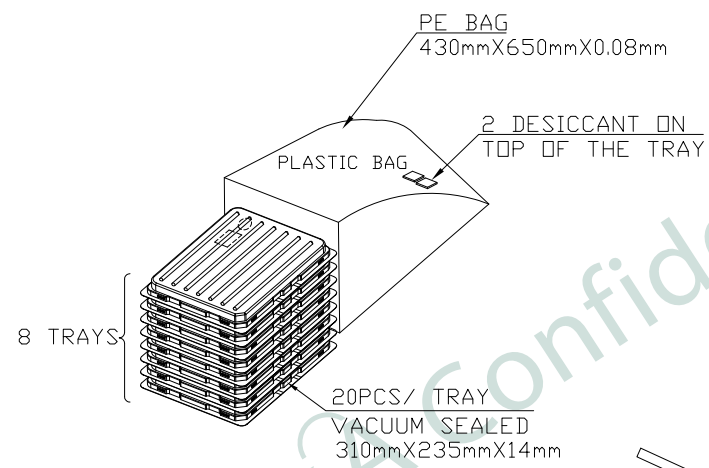
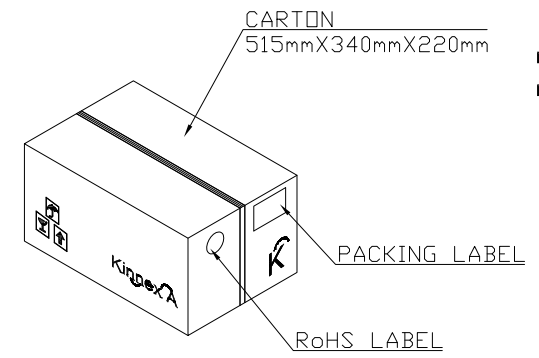
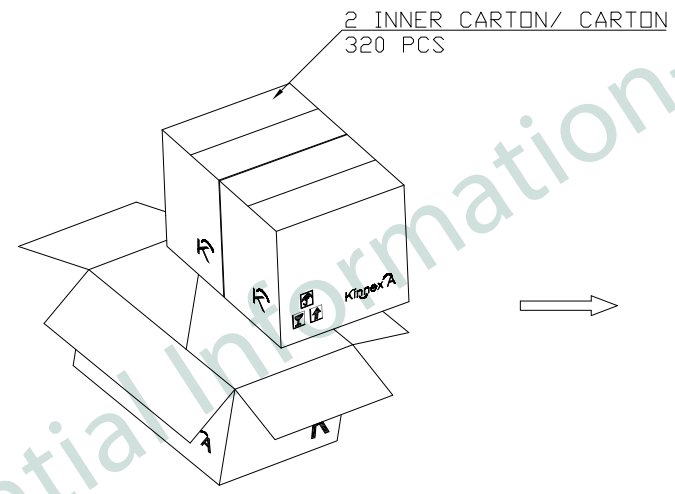
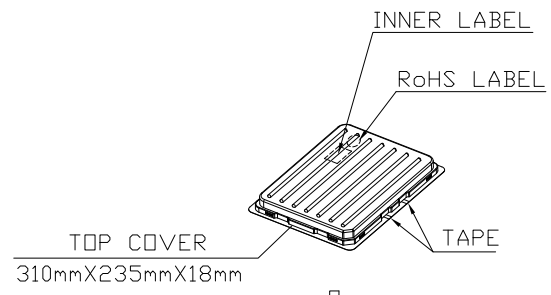
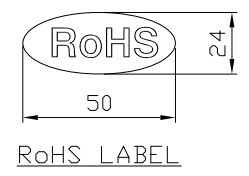


COLOR	VF(V) @20mA		IV(mcd) @20mA	IF(mA)	PEAK WAVE LENGTH λP(nm) @20mA
	TYP	MAX	TYP	TYP	TYP
GREEN	2.4	2.8	30	30	525
YELLOW	2.1	2.8	20	30	585
GREEN	2.4	2.8	30	30	525

PART NO		KRH-04F-V-HS5-679-XXX			
TITLE	RJ45 1X4, W/1G TRANSFORMER, W/LED, SHIELDED				
REV : 04					
UNIT	DRAWN	CHKD	DATE	SHEET	
mm[inch]	CINDY	VINCENT	Jun. 26, '19	4 of 6	

6. PACKING SPECIFICATION:

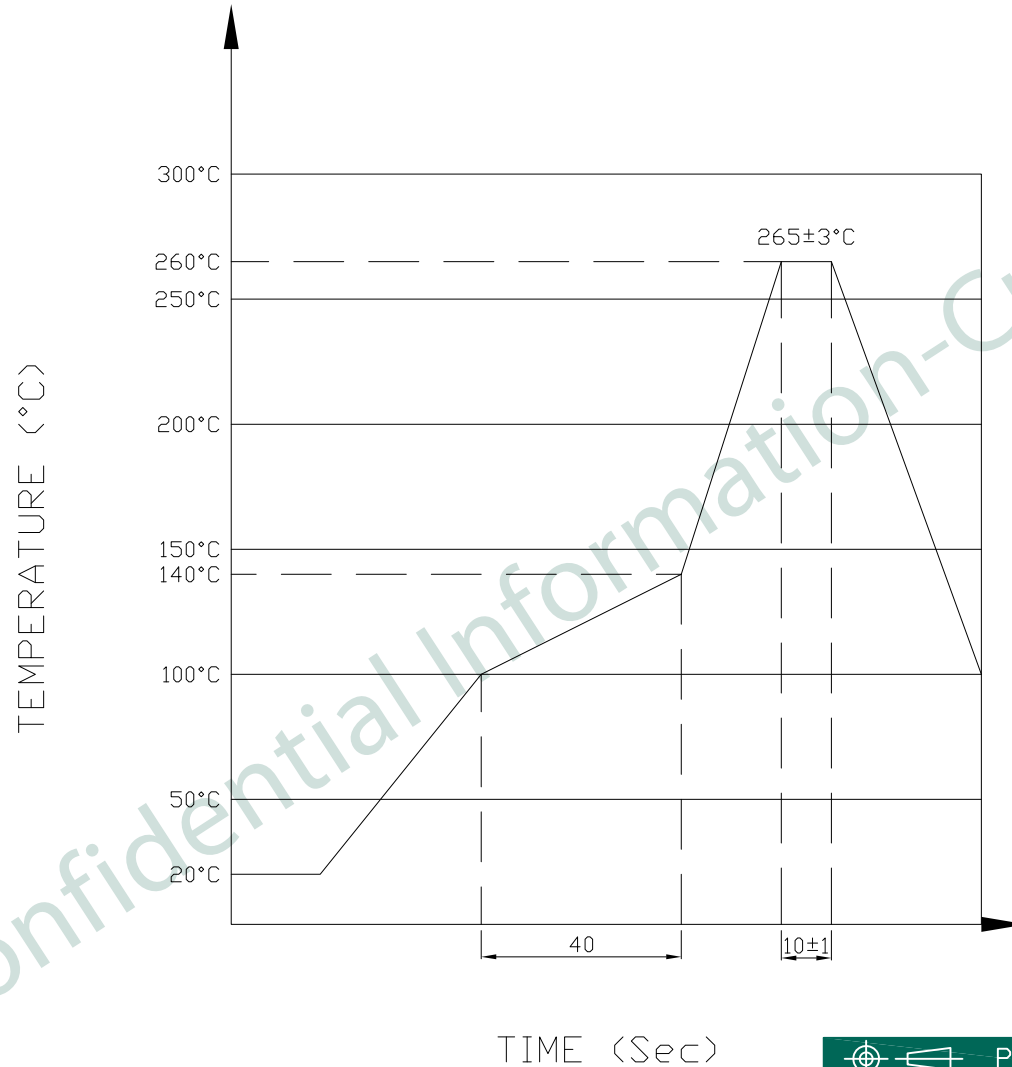
A  
B  
C  
D  
E  
F



PART NO		KRH-04F-V-HS5-679-XXX		
TITLE	RJ45 1X4, W/1G TRANSFORMER, W/LED, SHIELDED			
REV : 04				
UNIT	DRAWN	CHKD	DATE	SHEET
mm[inch]	CINDY	VINCENT	Jun. 26, '19	5 of 6

Halogen Free  
RoHS Compliant

7. PROFILE OF WAVE SOLDER:



The measuring point for the specified temperature shall be on the soldered part of the lead

PART NO KRH-04F-V-HS5-679-XXX				
TITLE	RJ45 1X4, W/1G TRANSFORMER, W/LED, SHIELDED			
REV : 04				
UNIT	DRAWN	CHKD	DATE	SHEET
mm[inch]	CINDY	VINCENT	Jun. 26, '19	6 of 6