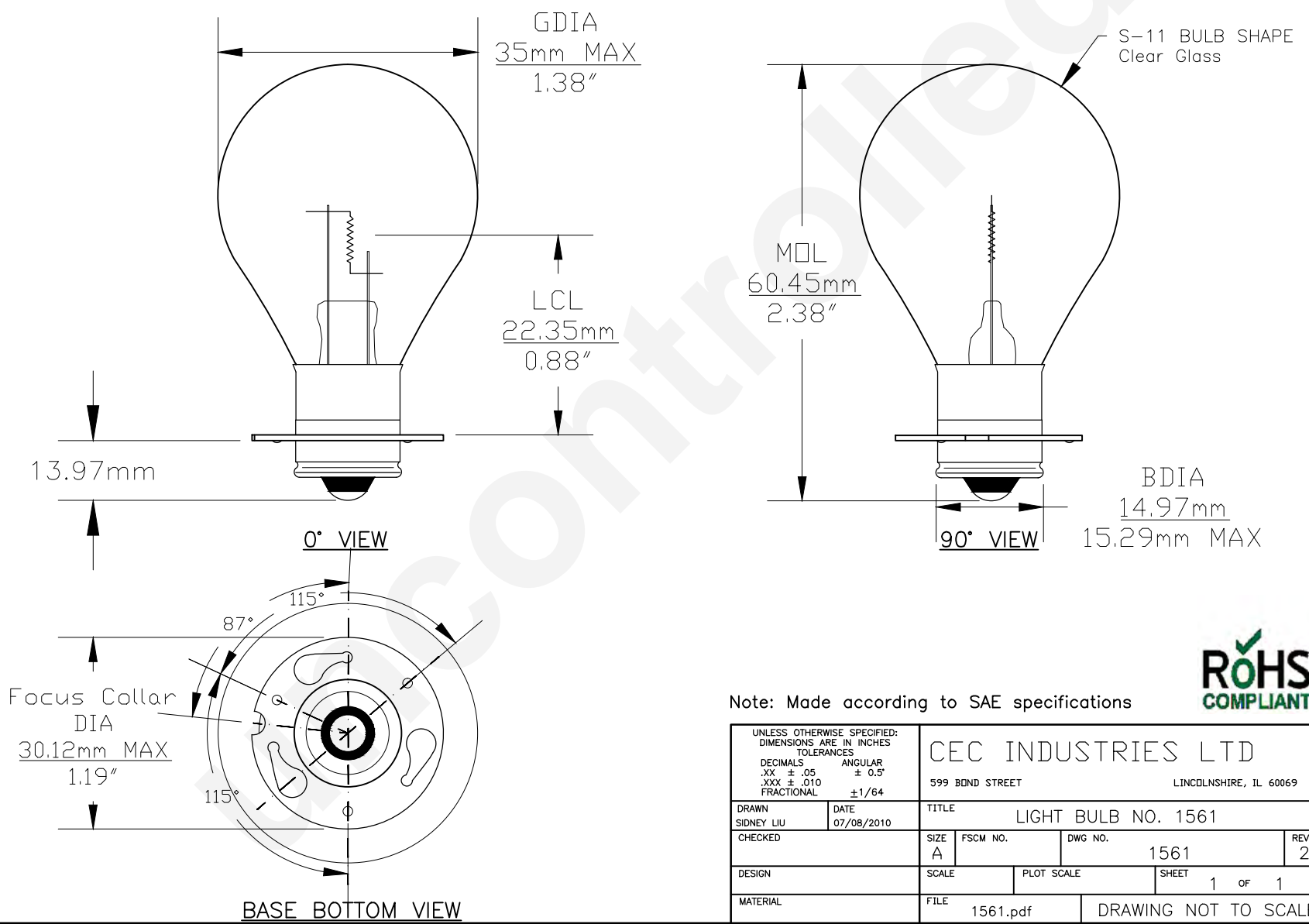




PART NO.	BASE TYPE	DESIGN VOLTS	DESIGN AMPS	MSCD	FILAMENT TYPE	AVERAGE LIFE HOURS	REVISIONS			
							REV #	DESCRIPTION	DATE	APPROVED
1561	S.C. Prefocus B (P15s30B)	6.3V	4.0±15%	24.0±30%	C-8Z	1500	1	REDRAWN	10/31/2014	R.M.



Note: Made according to SAE specifications



UNLESS OTHERWISE SPECIFIED: DIMENSIONS ARE IN INCHES TOLERANCES		CEC INDUSTRIES LTD			
DECIMALS	ANGULAR	599 BOND STREET		LINCOLNSHIRE, IL 60069	
.XX ± .05	± 0.5°				
.XXX ± .010					
FRACTIONAL	± 1/64				
DRAWN SIDNEY LIU	DATE 07/08/2010	TITLE LIGHT BULB NO. 1561			
CHECKED		SIZE A	FSCM NO.	DWG NO. 1561	REV 2
DESIGN		SCALE	PLOT SCALE	SHEET 1 OF 1	
MATERIAL		FILE 1561.pdf	DRAWING NOT TO SCALE		