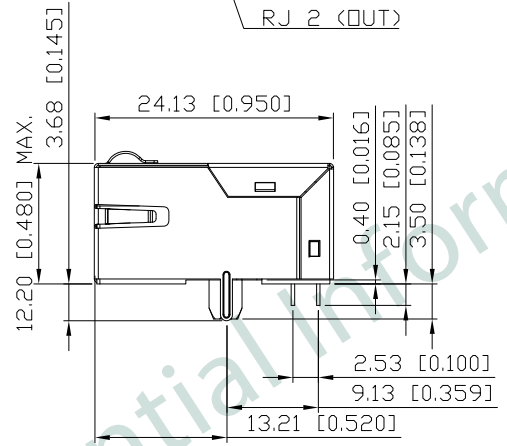
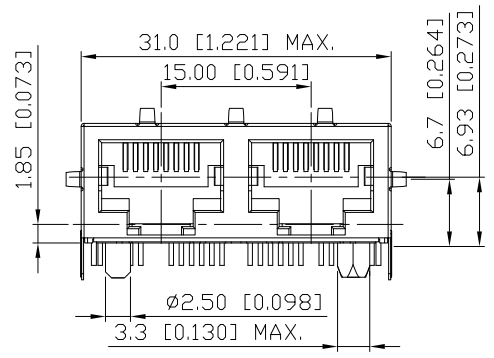
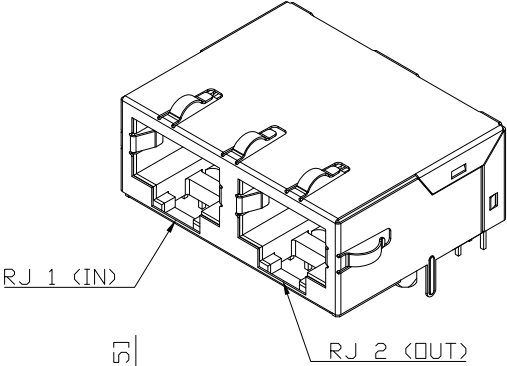
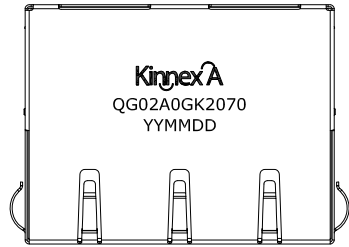
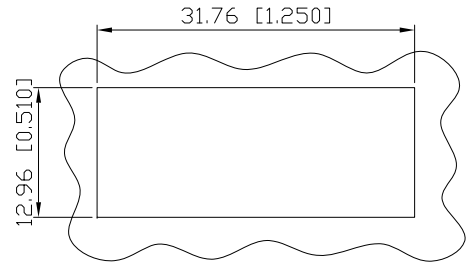
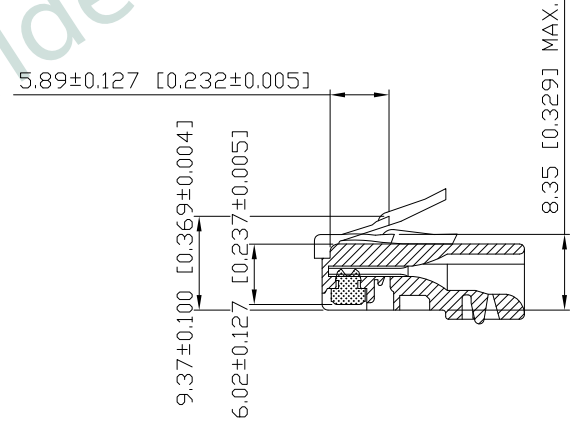
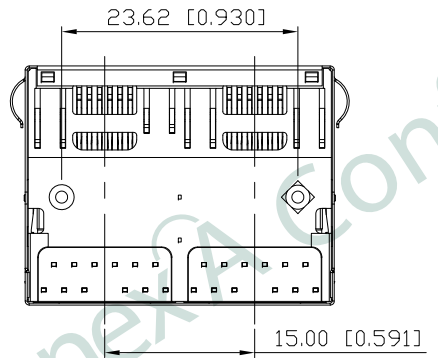


1. MECHANICAL DIMENSIONS :

REV.	DATE	DESCRIPTION
01	Mar. 15, '19	1st RELEASE



RECOMMENDED PLUG DIMENSION:

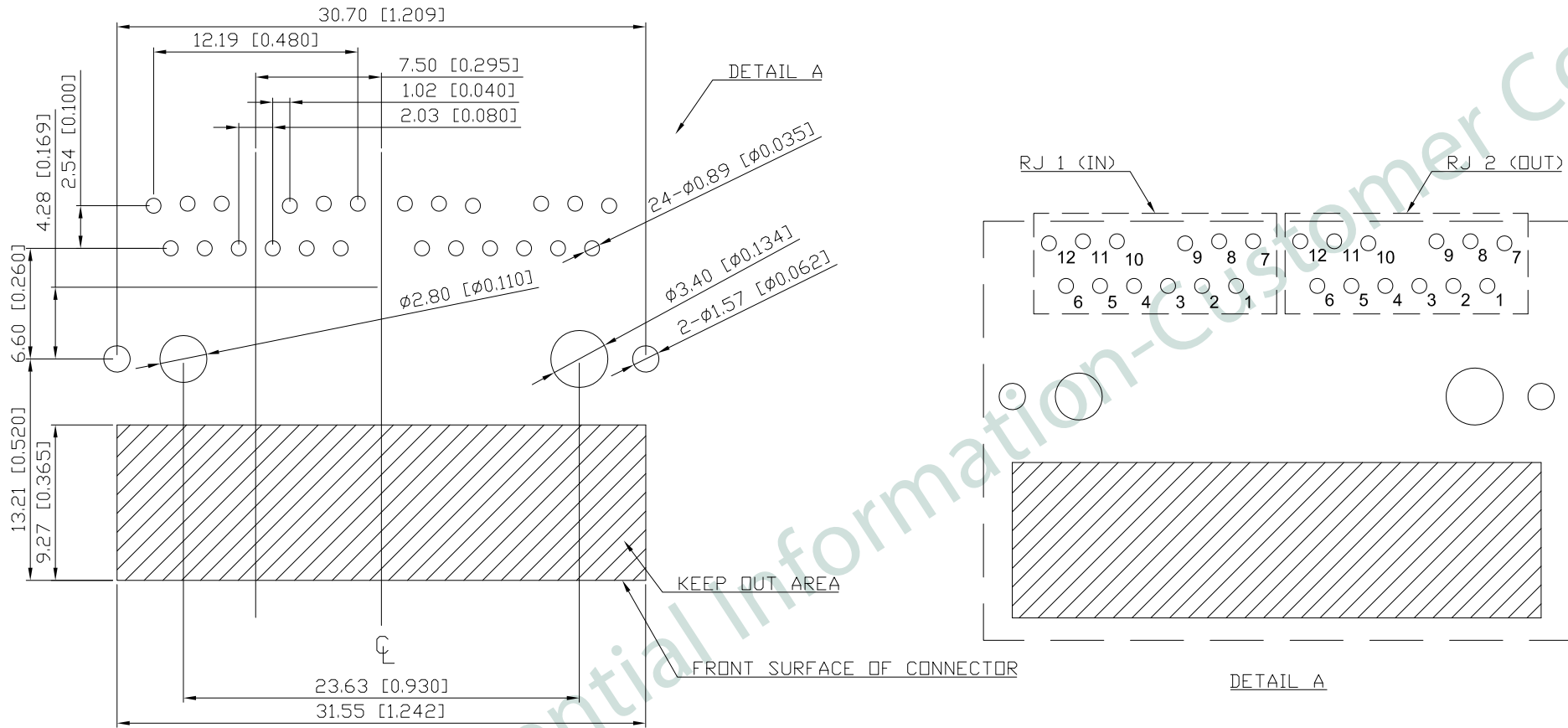


RECOMMENDED PANEL CUTOUT DIMENSION

- NOTES:
1. MATERIAL:
HOUSING: HIGH THERMOPLASTIC, UL94V-0, BLACK
CONTACTS: T=0.30mm PHOS-BRONZE,
30u" GOLD PLATING ON CONTACT AREA,
NICKEL UNDERPLATING ON ALL AREA
SOLDER PIN: T=0.30*0.40mm COPPER, NICKEL PLATING,
TIN PLATING ON ALL AREA
SHIELD: T=0.20mm COPPER ALLOY, NICKEL PLATING
 2. OPERATING TEMPERATURE: -40°C~+85°C
 3. MATING FORCE: 4 POUNDS MAX.
UNMATING FORCE: 4 POUNDS MAX
 4. DURABILITY: 750 MATING CYCLED MIN.
 5. CAVITY CONFORMS TO FCC RULES AND REGULATIONS PART 68,
SUBPART F.
 6. UNSPECIFIED TOLERANCE: .XX ±0.25[0.010]
.X ±0.30[0.012]

PART NO		KQG-02A-0-GK2-070-XXX		
TITLE	RJ45 1X2, W/5G TRANSFORMER AND PoE+, W/D LED, SHIELDED			
REV : 01				
UNIT	DRAWN	CHKD	DATE	SHEET
mm[inch]	CINDY	VINCENT	Mar. 15, '19	1 of 5

2. PCB LAYOUT :



SUGGESTED PCB LAYOUT
(TOP VIEW) SCALE:2:1
DIMENSIONAL TOLERANCE: .XX ±0.08[0.003]

KQG-02A-0-GK2-070-XXX

PRODUCT SERIES
KQG: LATCH DOWN, PoE+ TYPE

MECHANICAL TYPE
02A: 2 PORT FOR KQG,
HEIGHT=12.20mm, LENGTH=24.13mm,
STRAIGHT PINS, PIN=3.30mm

LED COLOR OPTION

CIRCUIT TYPE

CUSTOMER CODE

SPECIAL CODE
0: STANDARD

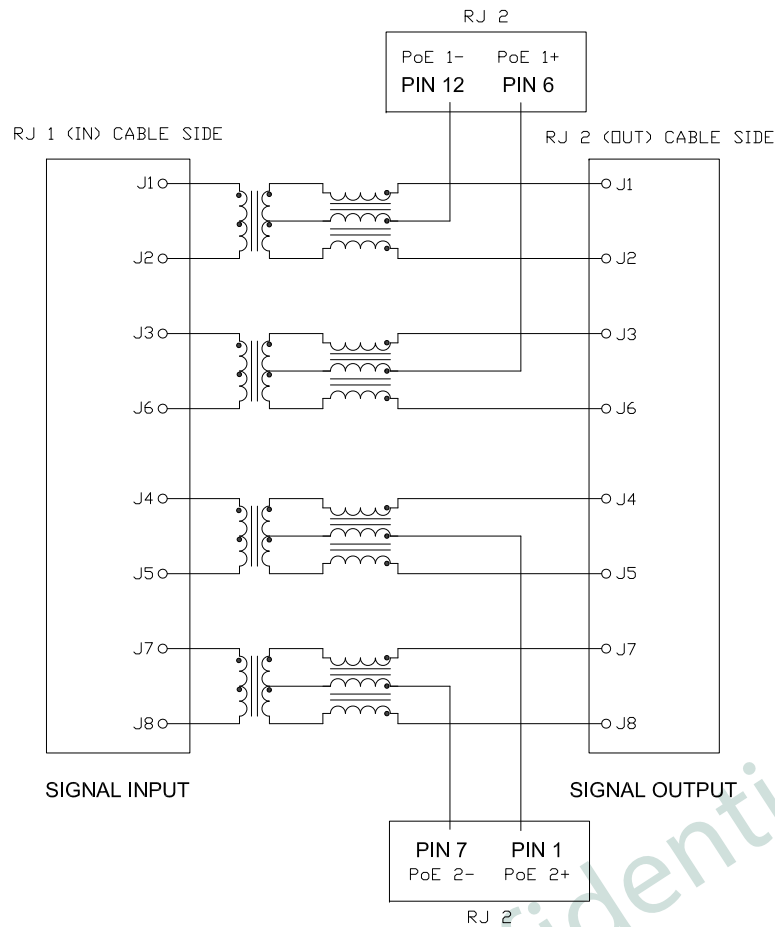
SHIELDED TYPE
7: EMI FINGER ON ALL SIDE

LED POLARITY
0: W/O LED

PART NO KQG-02A-0-GK2-070-XXX

TITLE	RJ45 1X2, W/5G TRANSFORMER AND PoE+, W/O LED, SHIELDED			
REV : 01				
UNIT	DRAWN	CHKD	DATE	SHEET
mm[inch]	CINDY	VINCENT	Mar. 15, '19	2 of 5

3. SCHEMATIC :



4. ELECTRICAL CHARACTERISTICS :

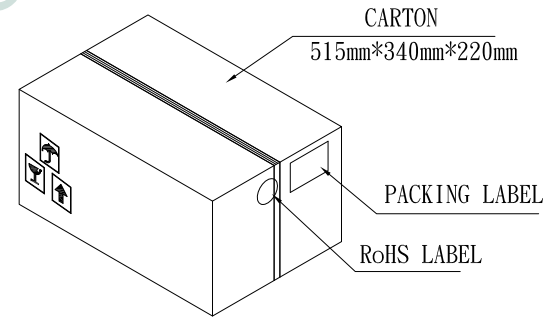
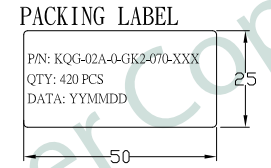
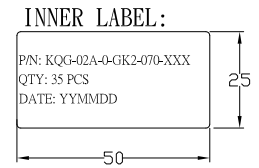
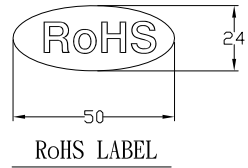
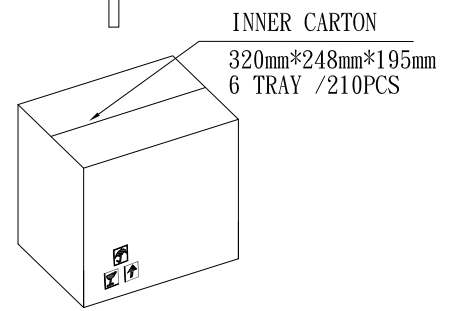
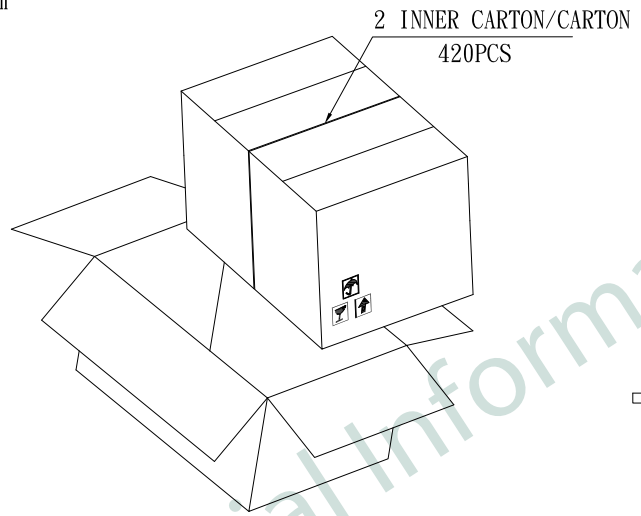
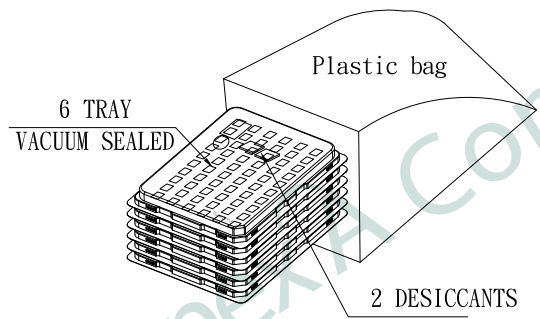
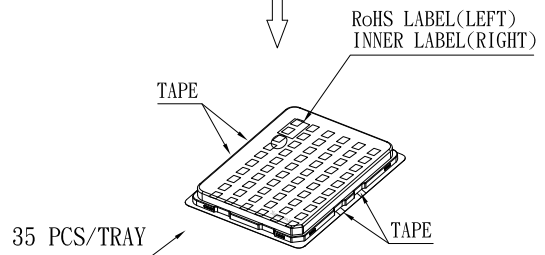
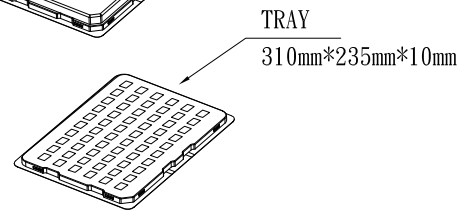
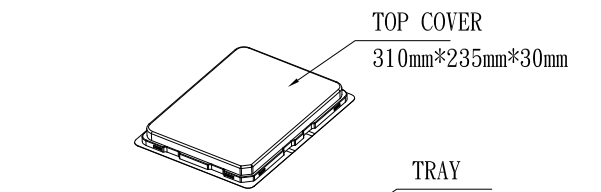
TEST NOTES:($25\pm 5^{\circ}\text{C}$)

1. TR:
INPUT TO OUTPUT=1:1±3%
2. OCL: (<100KHz, 100mV, 8mA, DC Bias)
150uH MINIMUM
3. DCR:
EVERY RJ PAIR=1.2 Ω MAXIMUM
4. INSERTION LOSS:
-0.5dB MAXIMUM AT 1MHz TO 50MHz
-1.0dB MAXIMUM AT 50MHz TO 100MHz
-1.5dB MAXIMUM AT 100MHz TO 250MHz
5. RETURN LOSS:
-20dB MINIMUM AT 1MHz TO 40MHz
-15dB MINIMUM AT 40MHz TO 100MHz
-12dB MINIMUM AT 100MHz TO 150MHz
-10dB MINIMUM AT 150MHz TO 200MHz
-9dB MINIMUM AT 200MHz TO 250MHz
6. CROSS TALK:
-35dB MINIMUM AT 1MHz TO 50MHz
-30dB MINIMUM AT 50MHz TO 150MHz
-20dB MINIMUM AT 150MHz TO 250MHz
7. CM TO CM MODE REJECTION:
-25dB MINIMUM AT 1MHz TO 250MHz
8. HIPOT:
INPUT(RJ SIDE) TO OUTPUT(LAN SIDE)
1500 VAC/60SEC
9. WORKING CURRENT FOR PoE+: 720mA DC MAX.

PART NO		KQG-02A-0-GK2-070-XXX		
TITLE	RJ45 1X2, W/5G TRANSFORMER AND PoE+, W/O LED, SHIELDED			
REV : 01				
UNIT	DRAWN	CHKD	DATE	SHEET
mm[inch]	CINDY	VINCENT	Mar. 15, '19	3 of 5

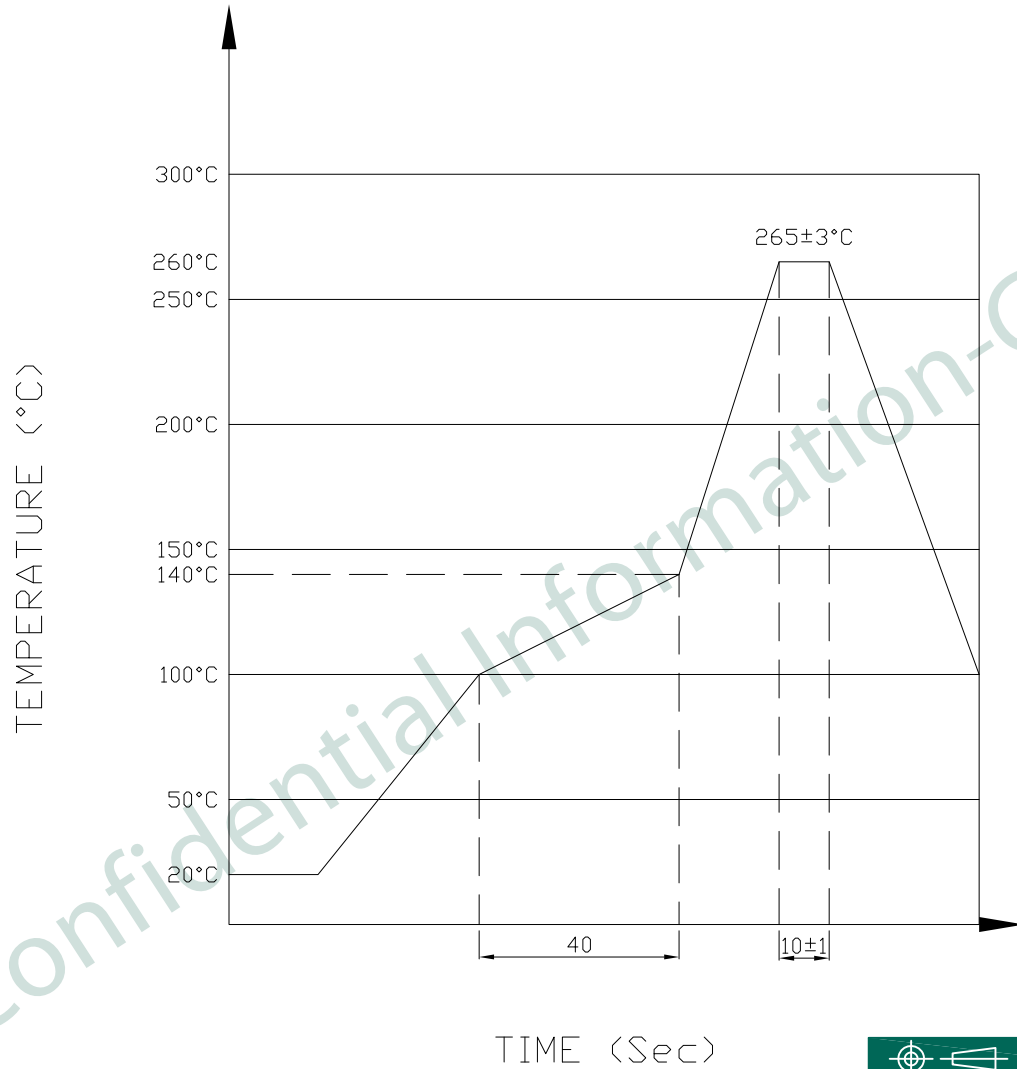
5. PACKING SPECIFICATION:

A
B
C
D
E
F



PART NO		KQG-02A-0-GK2-070-XXX		
TITLE	RJ45 1X2, W/5G TRANSFORMER AND PoE+, W/D LED, SHIELDED			
REV : 01				
UNIT	DRAWN	CHKD	DATE	SHEET
mm[inch]	CINDY	VINCENT	Mar. 15, '19	4 of 5

6. PROFILE OF WAVE SOLDER :



The measuring point for the specified temperature shall be on the soldered part of the lead

PART NO		KQG-02A-0-GK2-070-XXX		
TITLE	RJ45 1X2, W/5G TRANSFORMER AND PoE+, W/O LED, SHIELDED			
REV : 01				
UNIT	DRAWN	CHKD	DATE	SHEET
mm[inch]	CINDY	VINCENT	Mar. 15, '19	5 of 5