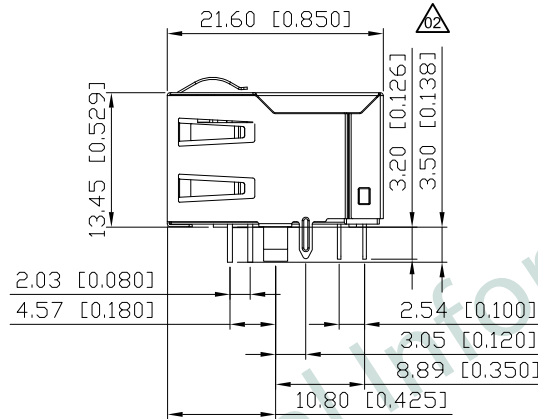
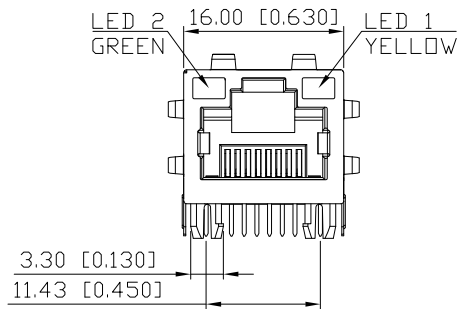
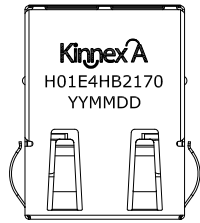
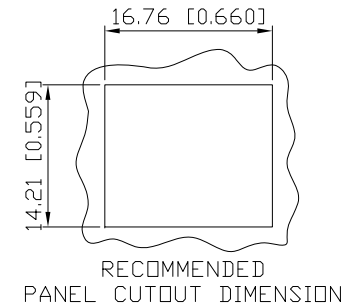
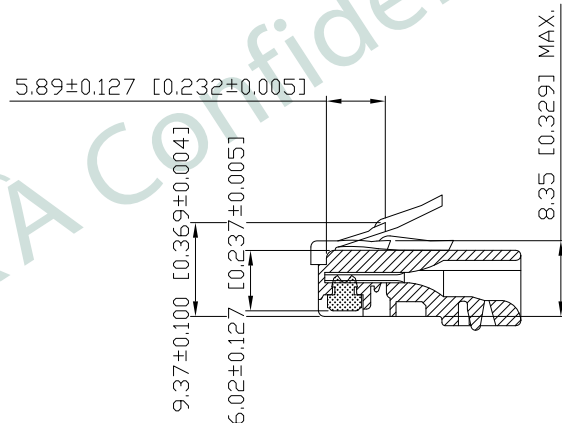


1. MECHANICAL DIMENSIONS :

REV.	DATE	DESCRIPTION
02	Mar. 29, '18	UPDATE DIMENSION
01	Jan. 04, '18	1st RELEASE



RECOMMENDED PLUG DIMENSION:



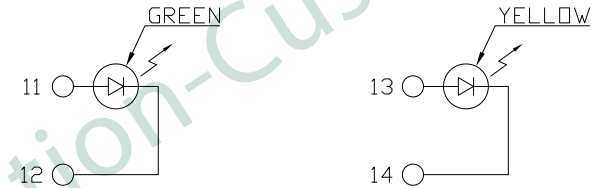
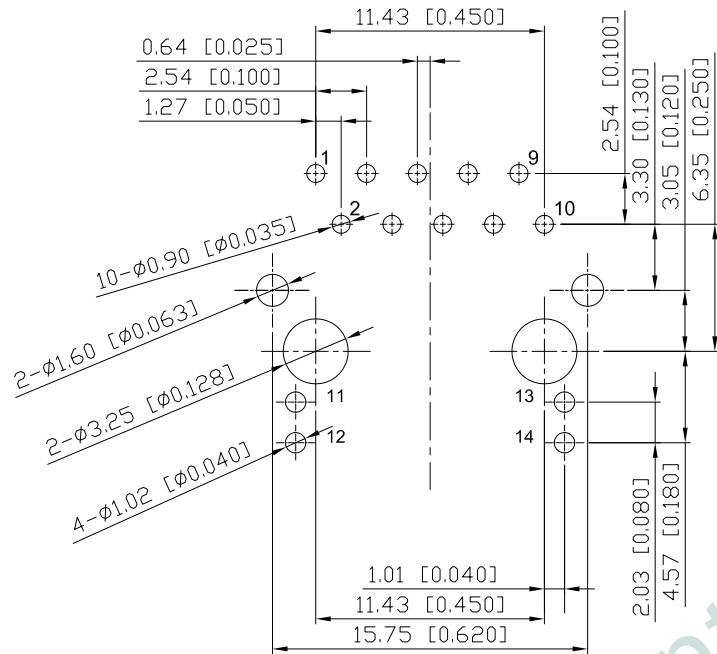
NOTES:

- MATERIAL:
HOUSING: HIGH THERMOPLASTIC, UL94V-0, BLACK
CONTACTS: PHOS-BRONZE,
6u" GOLD PLATING ON CONTACT AREA,
TIN ON SOLDER AREA,
NICKEL UNDERPLATING OVERALL
SHIELD: COPPER ALLOY, NICKEL PLATING
- OPERATING TEMPERATURE: -40°C~+85°C
- INSERTION FORCE: 4 POUNDS MAX.
EXTRACTION FORCE: 4 POUNDS MAX.
- DURABILITY: 750 MATING CYCLED MIN.
- CAVITY CONFORMS TO FCC RULES AND REGULATIONS PART 68, SUBPART F.
- UNSPECIFIED TOLERANCE: .XX ±0.25[0.010]
.X ±0.30[0.012]

PART NO		KRH-01E-4-HB2-170		
TITLE	RJ45, W/1G TRANSFORMER, W/LED, SHIELDED			
REV : 02				
UNIT	DRAWN	CHKD	DATE	SHEET
mm[inch]	CINDY	VINCENT	Mar. 29, '18	1 of 5

2. PCB LAYOUT :

3. LED CONFIGURATION :



COLOR	VF(V) @20mA		IV(mcd) @20mA	IF(mA)	PEAK WAVE LENGTH λP(nm) @20mA
	TYP	MAX	TYP	TYP	TYP
GREEN	2.2	2.6	10	20	570
YELLOW	2.2	2.6	15	20	588

SUGGESTED PCB LAYOUT
(TOP VIEW) SCALE:2:1
DIMENSIONAL TOLERANCE: .XX ±0.08[0.003]

KRH-01E-4-HB2-170

PRODUCT SERIES
KRH LATCH UP

MECHANICAL TYPE
01E: KRH 1 PORT, LENGTH=21.6mm,
STAGGERED PINS
LED COLOR OPTION

CIRCUIT TYPE

SPECIAL CODE
0: STANDARD

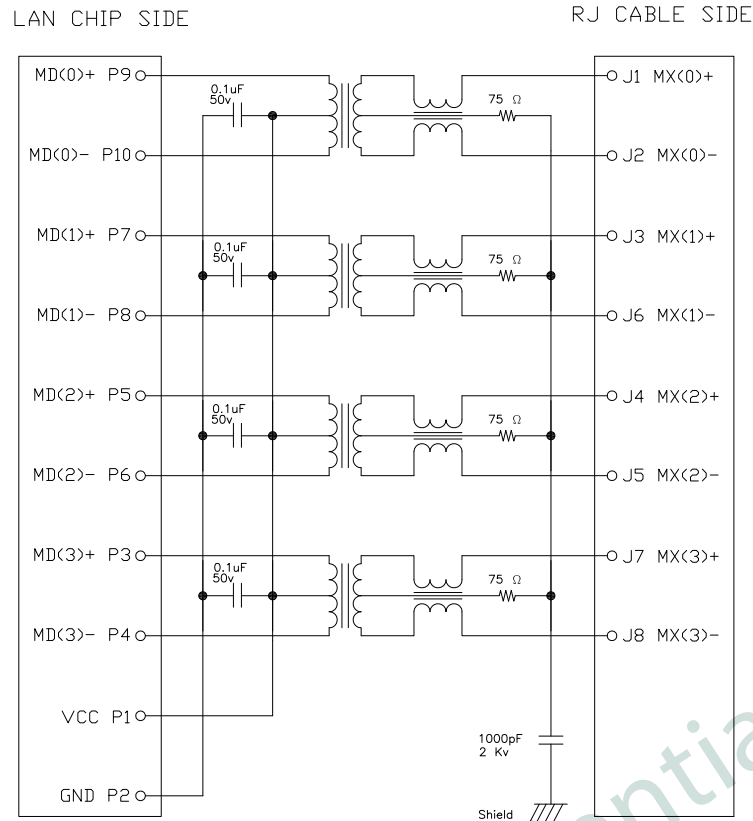
SHIELDED TYPE
7: EMI FINGER ON ALL SIDE

LED POLARITY
1: +-, +-

PART NO KRH-01E-4-HB2-170

TITLE	RJ45, W/1G TRANSFORMER, W/LED, SHIELDED			
REV : 02				
UNIT	DRAWN	CHKD	DATE	SHEET
mm[inch]	CINDY	VINCENT	Mar. 29, '18	2 of 5

4. SCHEMATIC :



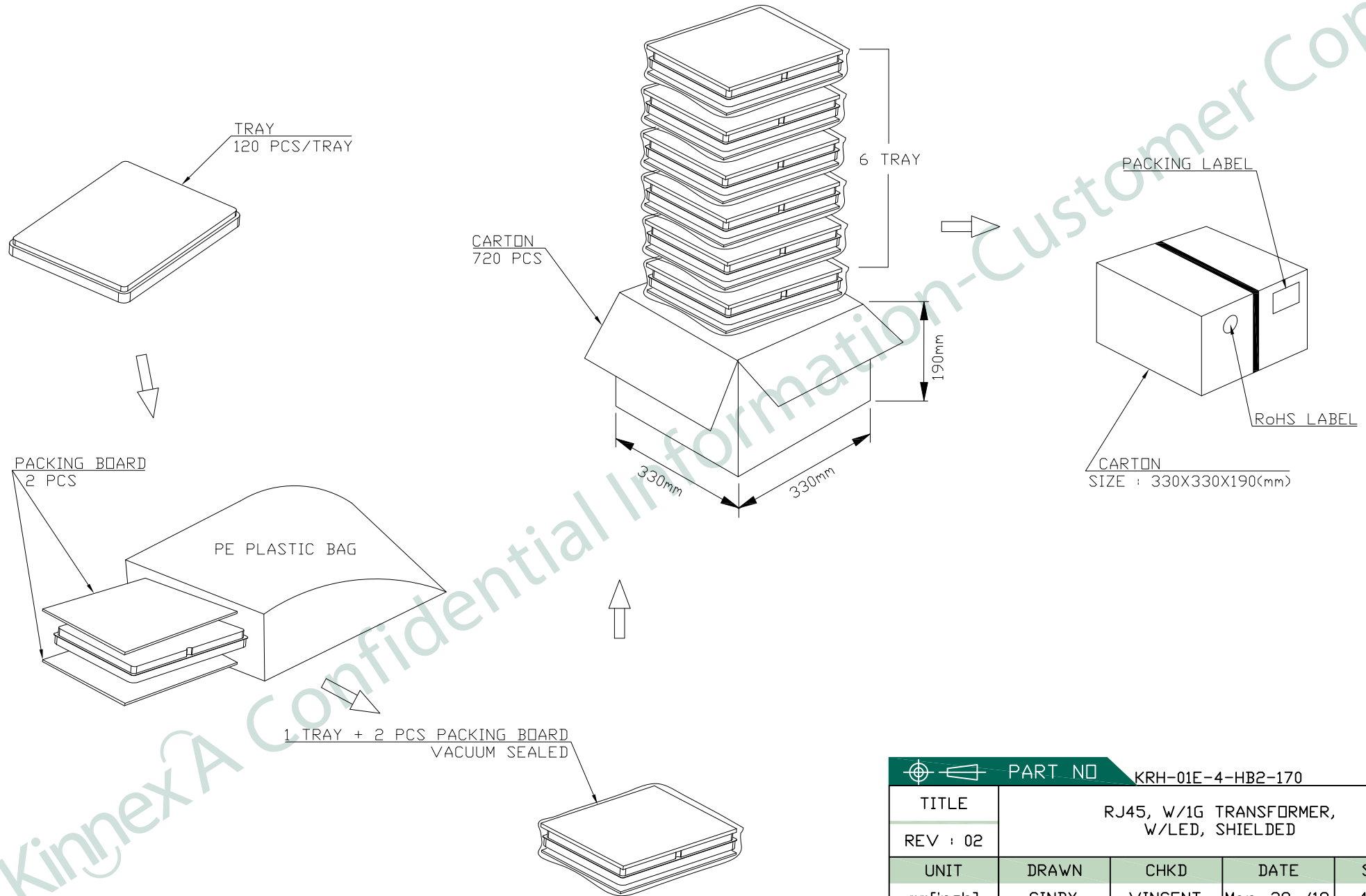
5. ELECTRICAL CHARACTERISTICS :

TEST NOTES:(25±5°C)

1. TR:
INPUT TO OUTPUT=1:1±3%
2. LX:<100KHz,100mV,8mA, DC Bias>
350uH MINIMUM
3. DCR:
EVERY RJ PAIR=1.2 Ω MAXIMUM
4. HIPOT:
INPUT(RJ SIDE) TO OUTPUT(LAN SIDE):
1500 VAC/60SEC
5. INSERTION LOSS:
-0.8dB MAXIMUM AT 0.3MHz TO 100MHz
-1.2dB MAXIMUM AT 100MHz TO 125MHz
6. RETURN LOSS:
-20dB MINIMUM AT 1MHz TO 10MHz
-16dB MINIMUM AT 30MHz
-12dB MINIMUM AT 60MHz TO 100MHz
7. CROSS TALK:
-40dB MINIMUM AT 1MHz TO 10MHz
-35dB MINIMUM AT 30MHz TO 60MHz
-30dB MINIMUM AT 60MHz TO 100MHz
8. COMMON TO COMMON MODE REJECTION:
-30dB MINIMUM AT 300KHz TO 100MHz

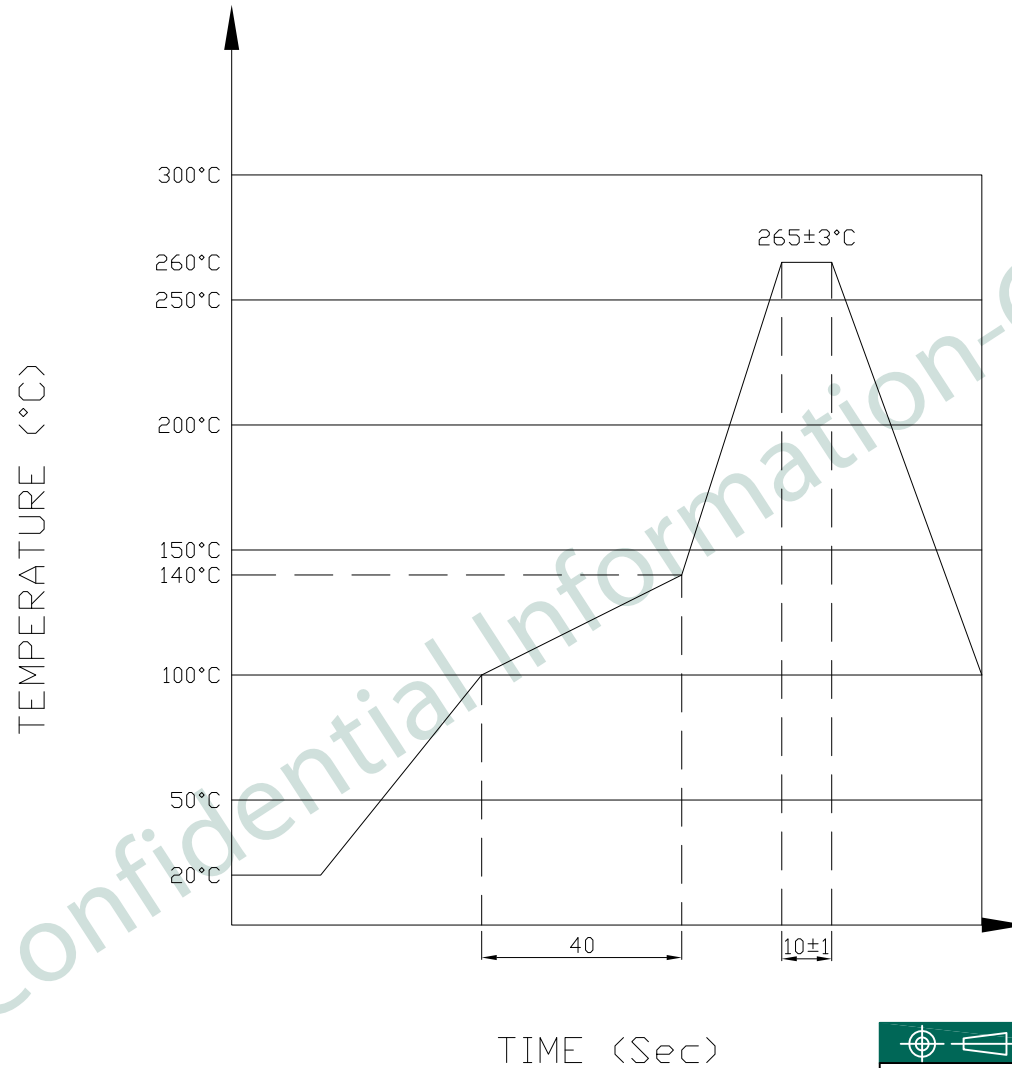
PART NO		KRH-01E-4-HB2-170		
TITLE	RJ45, W/1G TRANSFORMER, W/LED, SHIELDED			
REV : 02				
UNIT	DRAWN	CHKD	DATE	SHEET
mm[inch]	CINDY	VINCENT	Mar. 29, '18	3 of 5

6. PACKING SPECIFICATION:



RoHS Compliant

7. PROFILE OF WAVE SOLDER :



The measuring point for the specified temperature shall be on the soldered part of the lead

PART NO KRH-01E-4-HB2-170				
TITLE	RJ45, W/1G TRANSFORMER, W/LED, SHIELDED			
REV : 02				
UNIT	DRAWN	CHKD	DATE	SHEET
mm[inch]	CINDY	VINCENT	Mar. 29, '18	5 of 5