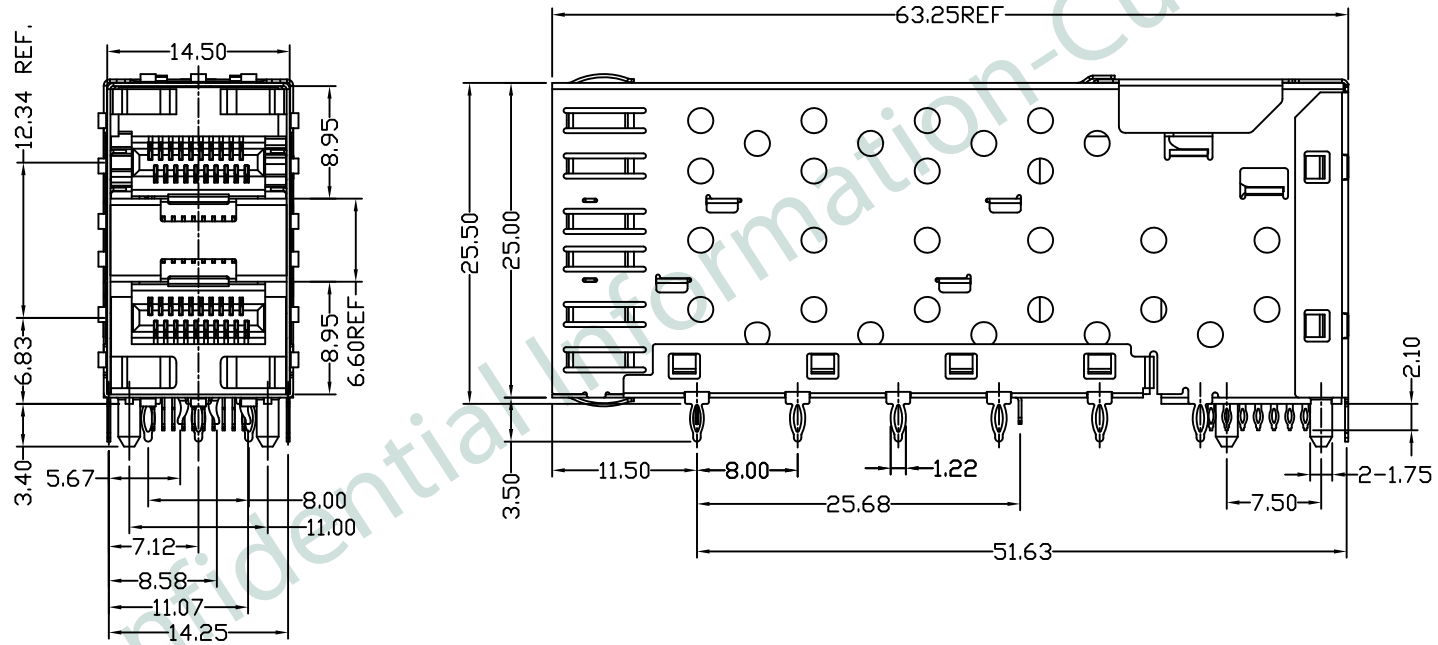
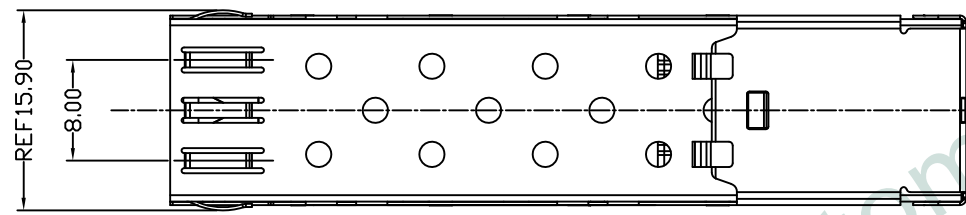


REV.	DATE	DESCRIPTION
01	Jun.03,16	1st RELEASE

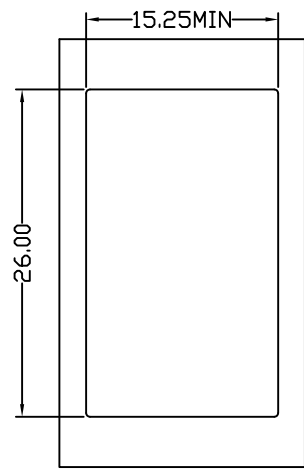


KSFP-K-SPFA-2103

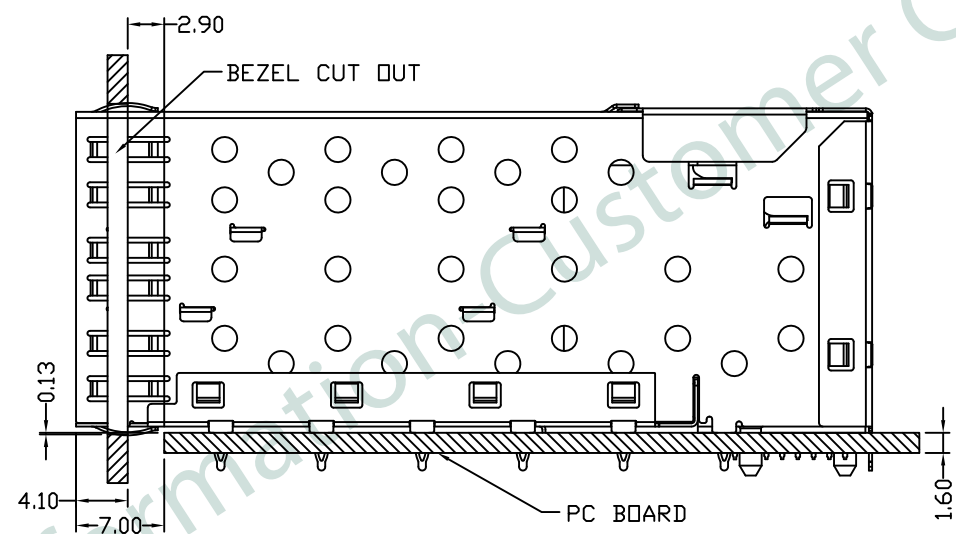
- TYPE
K : KIT
- S : STANDARD
- PF : PRESS FIT
- A : EMI TAB
- SERIAL NUMBER
- 0 : W/D LIGHT PIPE
- NUMBER OF PORT

PART NO		KSFP-K-SPFA-2103		
TITLE	2X1 SFP CAGE AND CONNECTOR			
REV : 01				
UNIT	DRAWN	CHKD	DATE	SHEET
mm[inch]	DANIEL	RYAN	Jun.03,16	1 of 3

ROHS Compliant



BEZEL CUT-OUT CENTER SPACING DETAIL
BEZEL THICKNESS:0.8-2.6



NOTE:

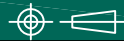
1. MATERIAL:

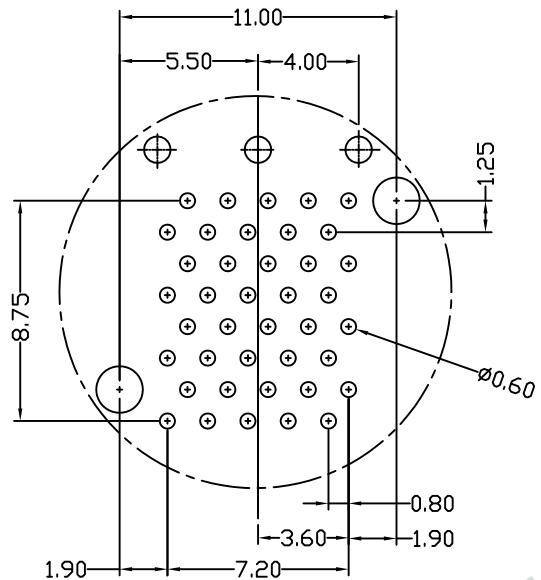
HOUSING: LCP (POLYPLASTICS, E130i) WITH 30% GF,
UL 94V-0, BLACK COLOR.
CONTACTS: PHOSPHOR BRONZE,
CAGE: COPPER ALLOY

2. FINISHED

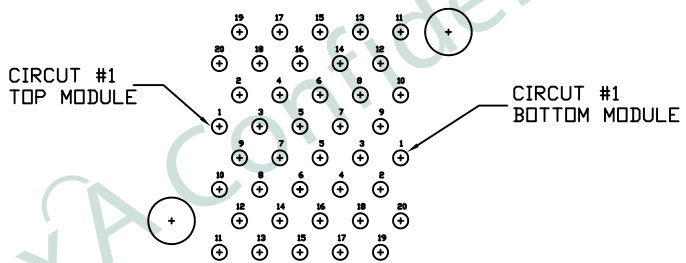
CONTACTS: 15u" GOLD PLATED ON CONTACT AREA,
100u" MIN. MATTE-TIN ON SOLDER TAIL,
UNDERPLATED 50u" MIN. NICKEL. ALL OVER
CAGE: UNDERPLATED 50u" MIN. NICKEL. ALL OVER

3. UNSPECIFIED TOLERANCE: .XXX ±0.10
.XX ±0.20
.X ±0.30

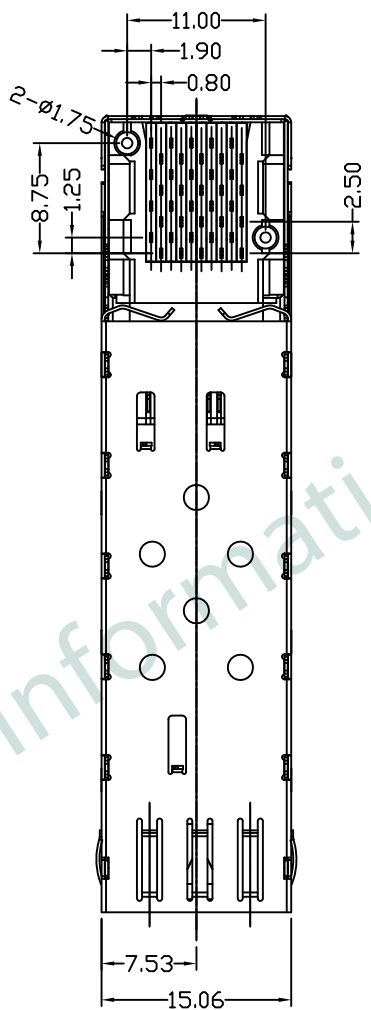
 PART NO		KSFP-K-SPFA-2103		
TITLE	2X1 SFP CAGE AND CONNECTOR			
REV : 01				
UNIT	DRAWN	CHKD	DATE	SHEET
mm[inch]	DANIEL	RYAN	Jun.03,16	2 of 3



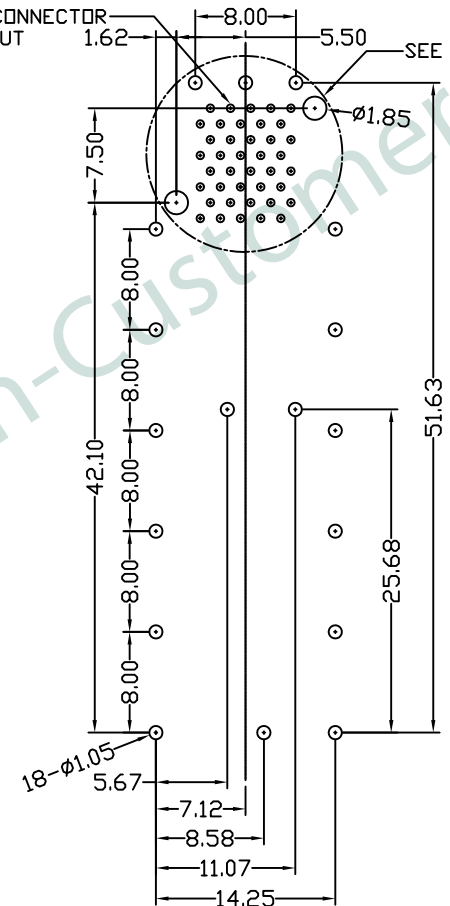
DEATIL A
SCALE 2:1



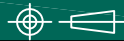
CONNECTOR PIN-OUT
COMPONENT SIDE OF BOARD



SEE CONNECTOR
PIN-OUT 1.62 8.00 5.50 SEE DETAIL A



P.C.B LAYOUT
TOP VIEW ±0.05

 PART NO		KSFP-K-SPFA-2103		
TITLE	2X1 SFP CAGE AND CONNECTOR			
REV : 01				
UNIT	DRAWN	CHKD	DATE	SHEET
mm[inch]	DANIEL	RYAN	Jun.03,16	3 of 3