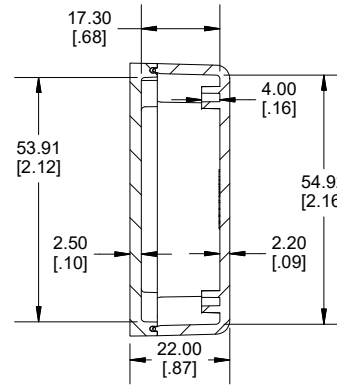
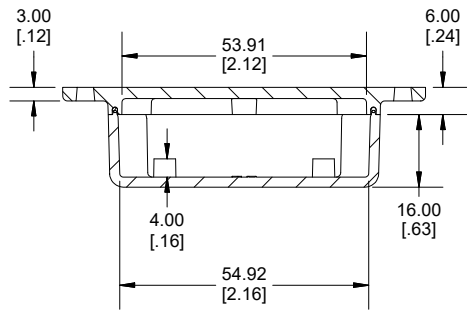
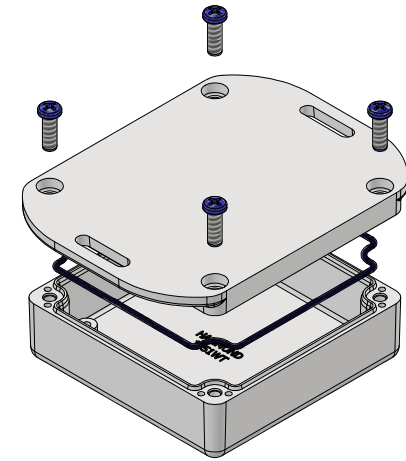


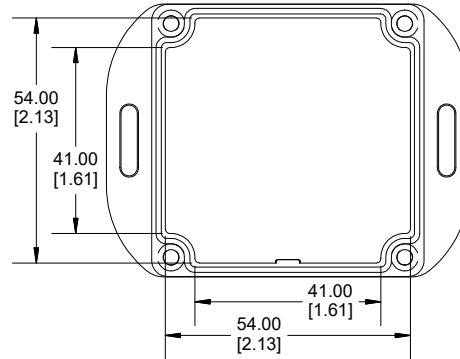
TOP VIEW



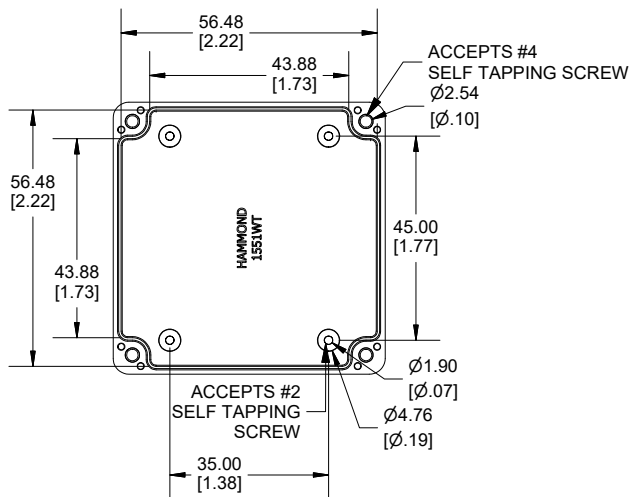
SECTION A-A  
END VIEW



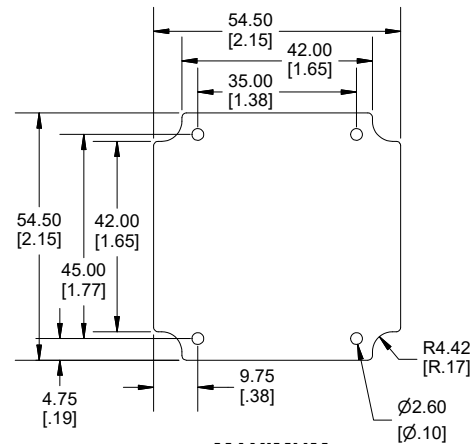
SECTION B-B  
SIDE VIEW



INSIDE LID



BOTTOM VIEW



MAXIMUM  
P. C. BOARD

Dimensions:  
mm  
[inches]

Enclosures can be Factory Modified (Milling, Drilling, Printing etc.)  
Contact Factory (modshop@hammfg.com) for quotes  
Solid models of this enclosure available in .stp or .x\_t  
(Part number and text placement/orientation on our products are subject to change,  
we do not recommend using them as a locating reference for modification purposes)

**NOTE**

Purchased assembly includes box, lid, gasket, 4 cover screws.  
Polycarbonate material is rated UL94 - V0

**Recommended Torque : #4 Cover screw (71-100) Ozf.in / (50-70) cN.m**

**Recommended Torque : #2 Internal screws (21-28) Ozf.in / (15-20) cN.m**

**PART NUMBERS**

1551WTFL Enclosure

Polycarbonate Black Enclosure 1551WTLBK

Polycarbonate Gray Enclosure 1551WTLGY

**ACCESSORIES**

Internal Mounting Post Screw 1553WTS100 (Pkg 100)  
[#2 x 3/16" Plastite Self-tapping (4.8mm)]

Stainless Steel Cover Screws SC509-50 (Pkg 50)  
[#4 X 3/8" Plastite Self-tapping (9.5mm)]



1551WTFL

www.hammondmfg.com