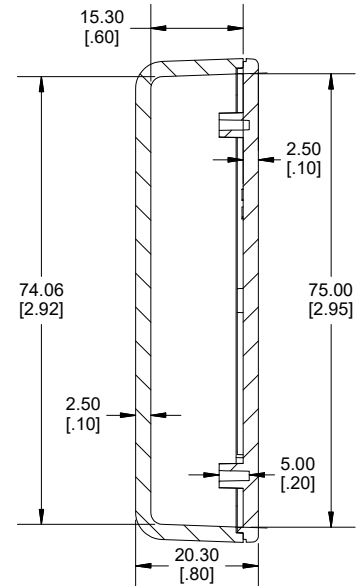
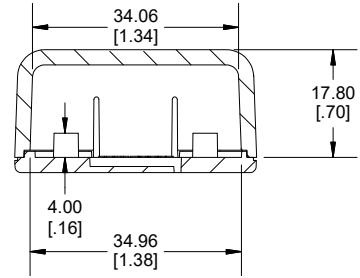


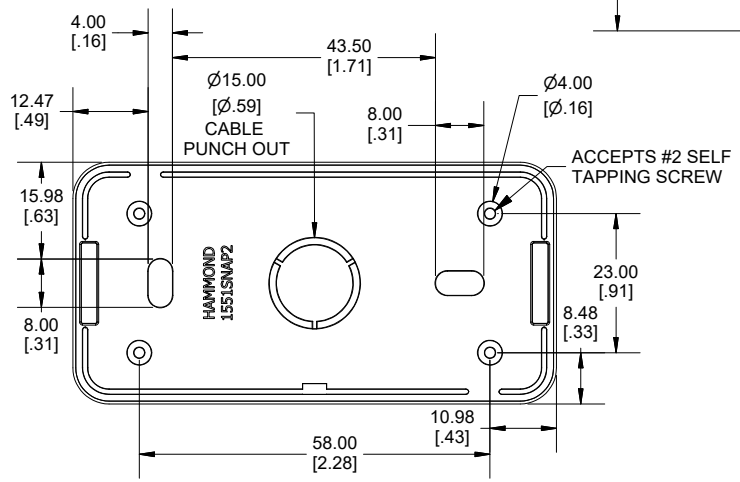
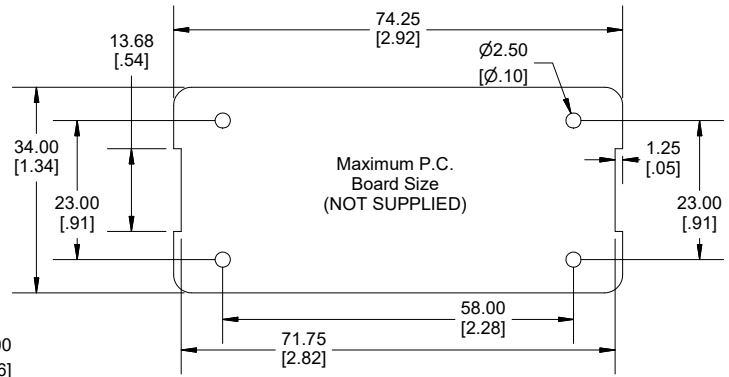
TOP VIEW



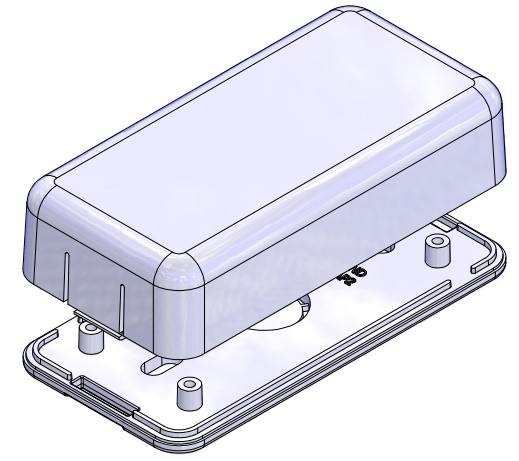
**SECTION A-A
SIDE VIEW**



**SECTION B-B
END VIEW**



INSIDE BASE



Enclosures can be Factory Modified (Milling, Drilling, Printing etc.)
 Contact Factory (modshop@hammfg.com) for quotes
 Solid models of this enclosure available in .stp or .x_t
 (Part number and text placement/orientation on our products are subject to change, we do not recommend using them as a locating reference for modification purposes)

NOTE	
Purchased assembly includes snap together base and cover. Enclosure molded from general purpose ABS Plastic. Other materials / colours available consult factory.	
Recommended Torque : (21-28) Ozf.in / (15-20) cN.m	
PART NUMBERS	
1551SNAP2 Enclosure	
Black Enclosure - UL94 - HB	1551SNAP2BK
Gray Enclosure - UL94 - HB	1551SNAP2GY
White Enclosure - UL94 - HB	1551SNAP2WH
ACCESSORIES	
P.C. Board Plastite Self Tapping Screw [#2 x 3/16" self-tapping (4.8mm)]	1553WTS100 (Pkg 100)

HAMMOND
 1551SNAP2
 www.hammondmfg.com

Dimensions:
 mm
 [inches]