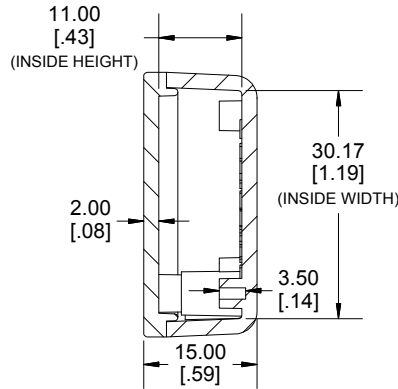
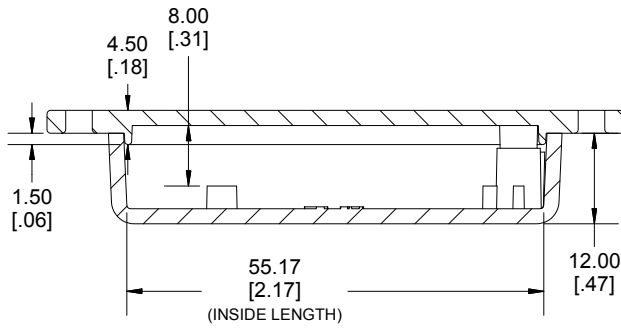
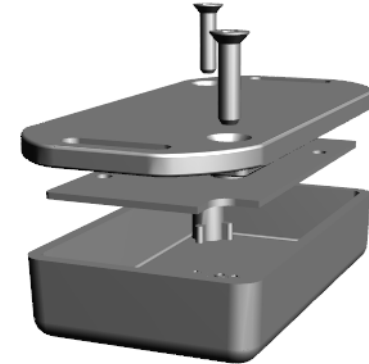


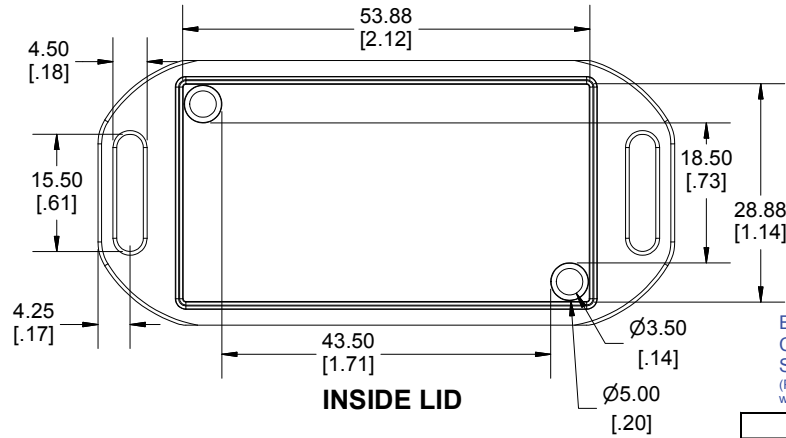
TOP VIEW



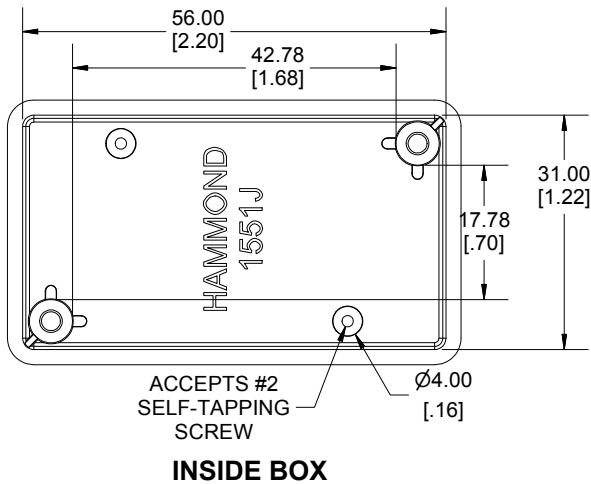
**END VIEW
SECTION B-B**



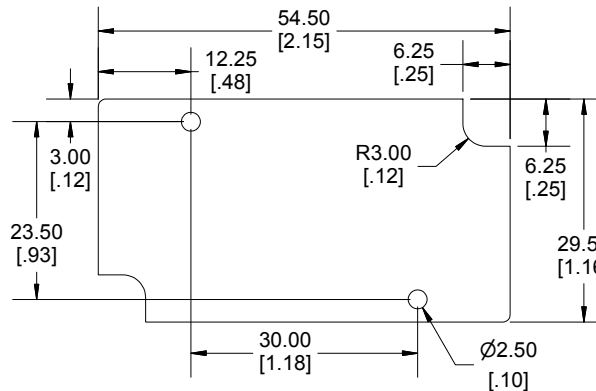
**SIDE VIEW
SECTION A-A**



INSIDE LID



INSIDE BOX



**MAXIMUM
P.C. BOARD SIZE**

Enclosures can be Factory Modified (Milling, Drilling, Printing etc.)
 Contact Factory mjm@hammondmfg.com for quotes
 Solid models of this enclosure available in STEP or IGES.
 (Part number and text placement/orientation on our products are subject to change,
 we do not recommend using them as a locating reference for modification purposes)

NOTE

Purchased assembly includes box, lid, 2 cover screws.
 Enclosure molded from general purpose ABS Plastic.
 Other materials / colours available consult factory.

Recommended Torque : (35-43) Ozf.in / (25-30) cN.m

PART NUMBERS

1551JFL Enclosure

| | |
|--|------------|
| Black Enclosure - Ral 9011 - UL94 - HB | 1551JFLBK |
| Gray Enclosure - RAL 7035 - UL94 - HB | 1551JFLGY |
| Tranlucent Blue - UL94 - HB | 1551JFLTBU |

ACCESSORIES

| | |
|--|--|
| Black Cover Screws #4 X 1/2" Self-tapping | 1591TS100BK (Pkg 100) |
| Plated Cover Screws #4 X 1/2" Self-tapping | 1591TS100 (Pkg 100) |
| P.C. Board Screws [#2 x 3/16" self-tapping (4.8mm)] | 1551ATS50 (Pkg 50) 1551ATS100 (Pkg 100) |

**HAMMOND
MANUFACTURING**

1551JFL

www.hammondmfg.com

Dimensions:
mm
[inches]