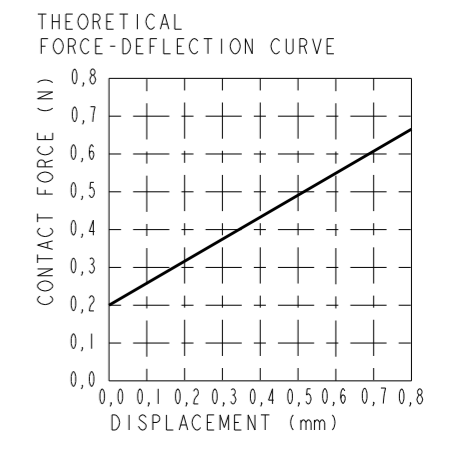
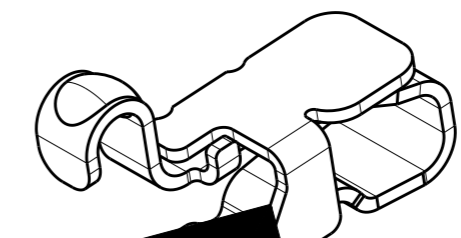
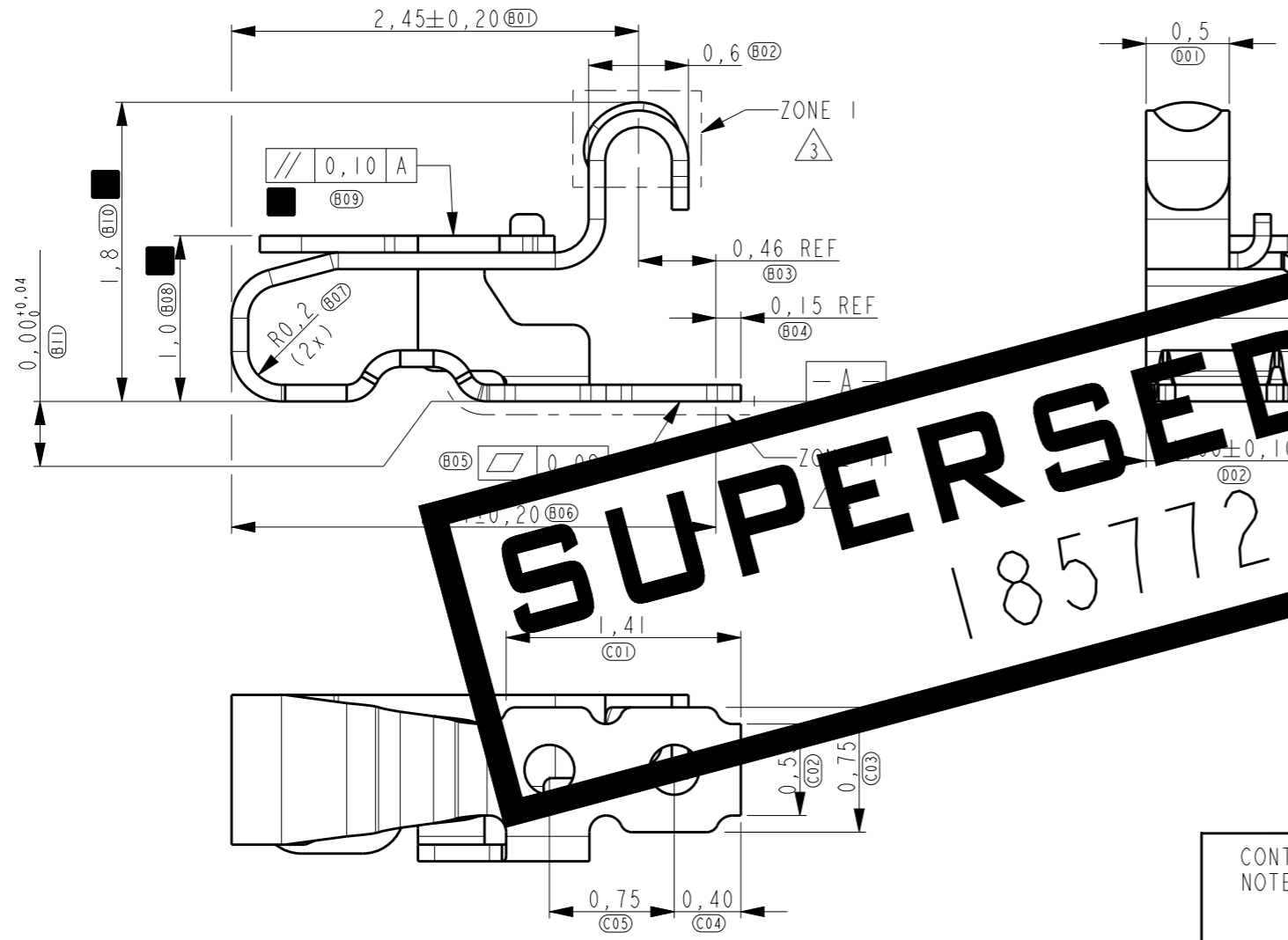
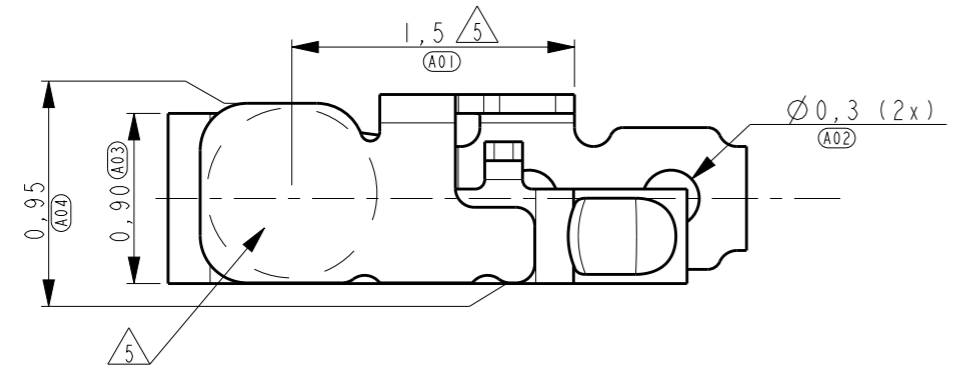


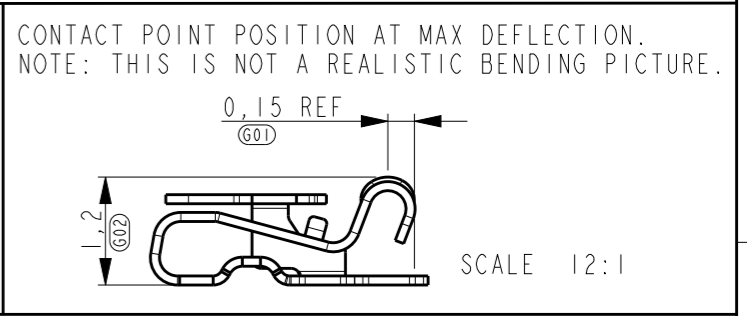
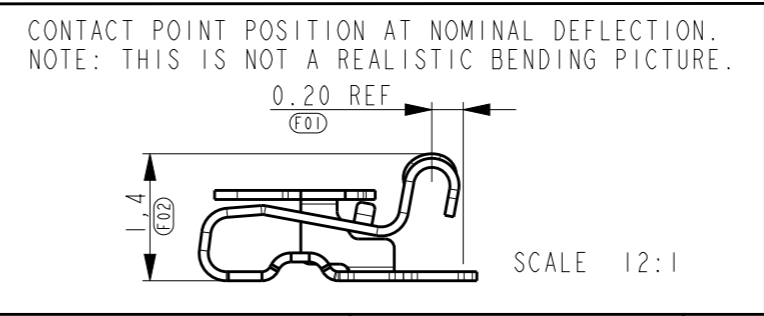
THIS DRAWING IS UNPUBLISHED. RELEASED FOR PUBLICATION  
 © COPYRIGHT - BY TYCO ELECTRONICS CORPORATION. ALL RIGHTS RESERVED.

LOC	DIST	REVISIONS				
P	LTR	DESCRIPTION	DATE	DWN	APVD	
H	-	B	ECR-11-004258	25FEB2011	J.v.H	DH
		C	ECR-18-013637	16NOV2018	E.Z	W.H

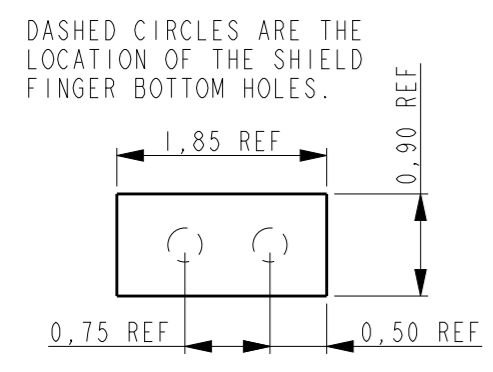


**SUPERSEDED BY:**  
 1857724-4

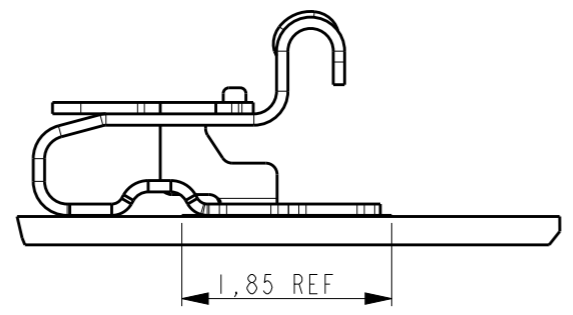
- NOTES:
- PART NUMBER: 1551281-4 AS SHOWN.
  - MATERIAL: TiCu.
  - PLATING: 1,3µm MIN. NICKEL UNDERLAYER ALL OVER  
 ZONE I: 0,50µm MIN. GOLD  
 ZONE II: GOLD FLASH
  - FORCE AT MIN DEFLECTION (AT 1,6mm) 0,20N MIN.  
 FORCE AT MAX DEFLECTION (AT 1,2mm) 0,80N MAX.
  - INDICATED SURFACE TO BE USED AS PICK AND PLACE SURFACE.  
 THE DASHED LINE INDICATES A Ø0,90mm VACUUM PICKER.
  - = CRITICAL DIMENSION WHICH EFFECTS FORM FIT & FUNCTION



RECOMMENDED PWB LAY-OUT.



REFERENCE VIEW FOR COMPONENT PLACEMENT



THIS DRAWING IS A CONTROLLED DOCUMENT FOR TYCO ELECTRONICS CORPORATION  
 IT IS SUBJECT TO CHANGE AND THE CONTROLLING ENGINEERING ORGANIZATION  
 SHOULD BE CONTACTED FOR THE LATEST REVISION.

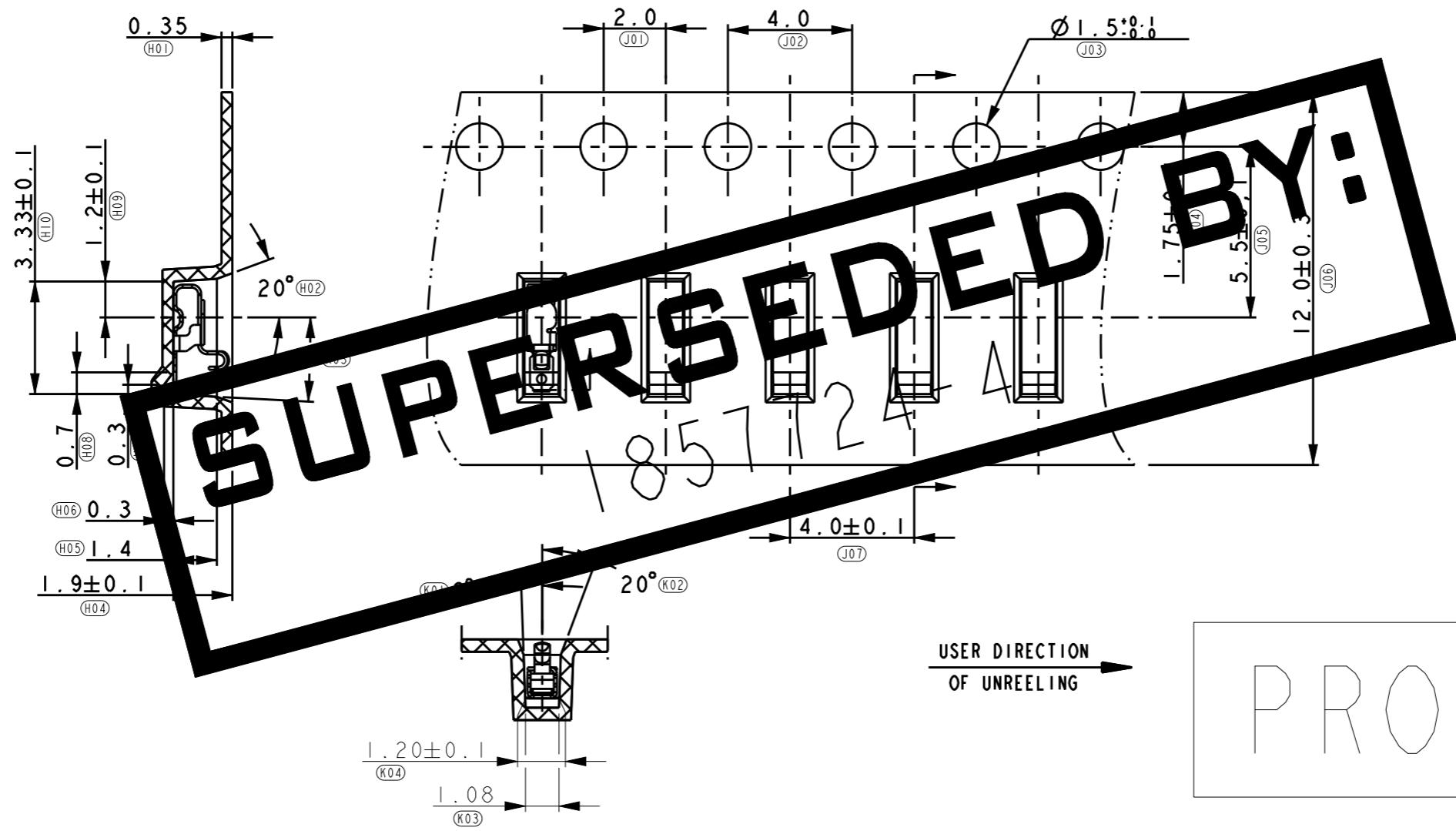
DIMENSIONS:	TOLERANCES UNLESS OTHERWISE SPECIFIED:
mm	
	±0,20
	±0,10
	±0,10
	±0,05
	±
ANGLES	±
MATERIAL	FINISH
-	-

DWN	15-JUL-09
W. Jansen	
CHK	15-JUL-09
W. Jansen	
APVD	15-JUL-09
D. Halberstadt	
PRODUCT SPEC	
APPLICATION SPEC	
WEIGHT	0,0055g

Tyco Electronics Nederland BV 's-Hertogenbosch, The Netherlands	
NAME	
SPRING FINGER 1,8 mm LEFT	
SIZE	RESTRICTED TO
A3	
CAGE CODE	
00779	
DRAWING NO	
C=1551281	
CUSTOMER DRAWING	SCALE 20:1
SHEET 1 OF 2	REV C

THIS DRAWING IS UNPUBLISHED. RELEASED FOR PUBLICATION  
 © COPYRIGHT - BY TYCO ELECTRONICS CORPORATION. ALL RIGHTS RESERVED.

LOC	DIST	REVISIONS			
P	LTR	DESCRIPTION	DATE	DWN	APVD
H	-	SEE SHEET 1	-	-	-



PROPOSAL

<small>THIS DRAWING IS A CONTROLLED DOCUMENT FOR TYCO ELECTRONICS CORPORATION          IT IS SUBJECT TO CHANGE AND THE CONTROLLING ENGINEERING ORGANIZATION          SHOULD BE CONTACTED FOR THE LATEST REVISION.</small>		DWN 15-JUL-09 W. Jansen		Tyco Electronics Nederland BV 's-Hertogenbosch, The Netherlands	
DIMENSIONS: mm		TOLERANCES UNLESS OTHERWISE SPECIFIED: 0 PLC ±0,20 1 PLC ±0,10 2 PLC ±0,10 3 PLC ±0,05 4 PLC ±- ANGLES ±-		NAME SPRING FINGER 1,8 mm LEFT	
MATERIAL -		FINISH -		PRODUCT SPEC - APPLICATION SPEC - WEIGHT 0,0055g	
		CUSTOMER DRAWING		SIZE A3 CAGE CODE 00779 DRAWING NO. C=1551281 RESTRICTED TO	
				SCALE 20:1 SHEET 2 OF 2 REV C	