

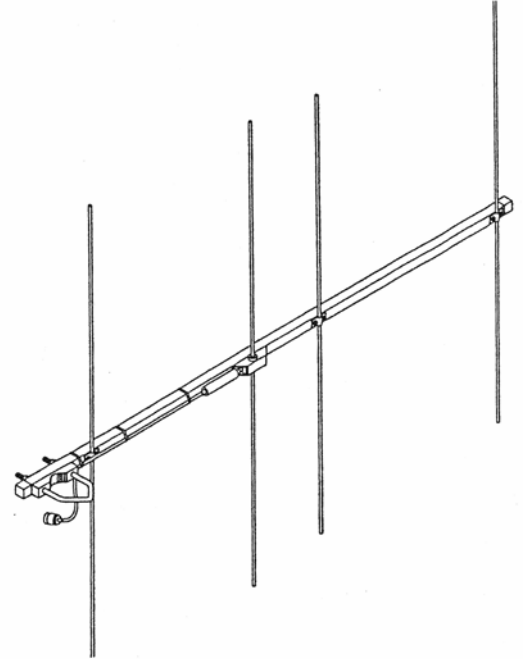


ANTENNA TECHNOLOGIES LIMITED COMPANY

# Model 155-4H Heavy Duty VHF Yagi Antenna

## Key Features

- ✓ “EverSealed” feed system is impervious to ice, moisture and the impact of harsh environments.
- ✓ **No Field Tuning is Ever Required**
- ✓ Rugged, square tube boom and solid aluminum rod elements for greater durability.
- ✓ Custom V-Blocks and V-Bolts for secure mounting.



Electrical Specifications	155-4H
Frequency Range, MHz	152-158
Gain, dBd	7 typical
Front to Back Ratio, dB	15 minimum; 18 typical
VSWR (75 Ohms)	1.2:1 typical
1.5:1 Bandwidth MHz	6 minimum; 9 typical
3 dB Beamwidth E/H Planes, degrees	60/90
Stacking Distance, E/H, inches	60/90
Maximum Power, watts	150*
Cable type/length	RG58, 2 (.61)
Connector	N Female
Polarization	Horizontal or Vertical

\*Limited by feedline. Higher power ratings are available as an option.



Mechanical Specifications	155-4H
Number of Elements	4
Boom Length, feet (m)	3.75 (1.14)
Boom Material	1.0" by .1.0" square tube 6061-T6 aluminum
Element Material	.25" diameter 6061-T6 aluminum rod
Mast Diameter, inches, (cm)	1.25-2.00 (3.2-5.1)
Mounting	Rear
Wind Surface Areas, feet <sup>2</sup>	.54 (.05)
Wind Survival, mph (kph)	125 (200)
Weight, pounds (kg)	3.75 (1.7)

22560 Glenn Drive #114 | Sterling, Virginia 20164  
[www.atcllc.com](http://www.atcllc.com) [sales@atcllc.com](mailto:sales@atcllc.com)  
 Office: 703-450-5517

ATLC products for military use may be subject to U.S. ITAR EXPORT CONTROLS, an export license may be required.