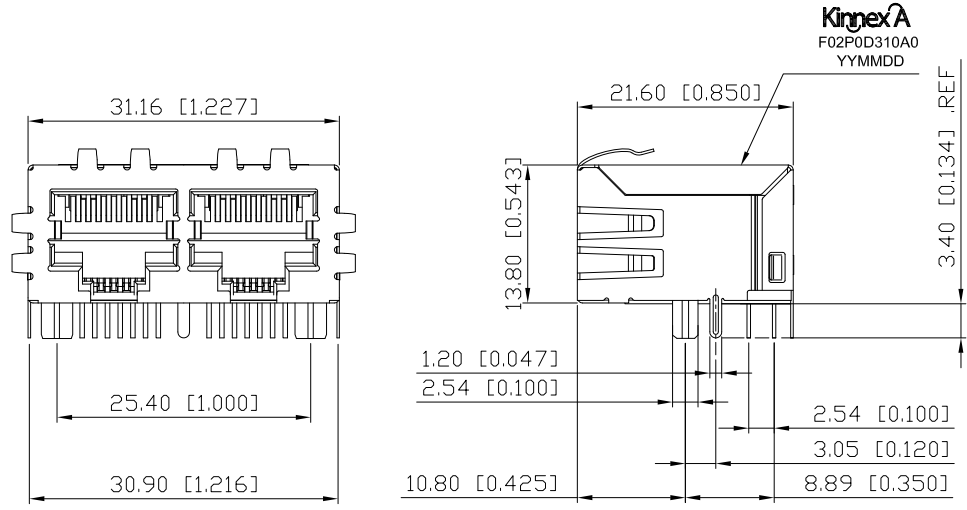


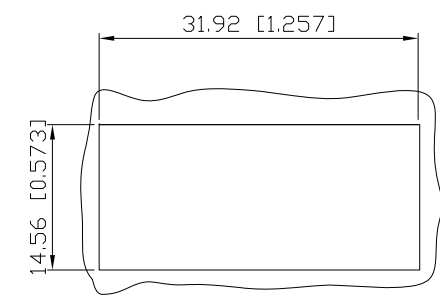
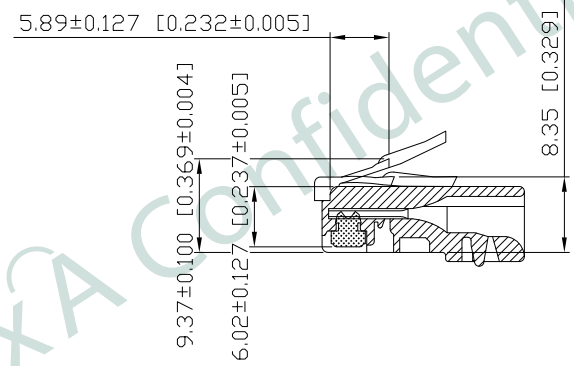
1. MECHANICAL DIMENSIONS :

REV.	DATE	DESCRIPTION
02	Jan. 03, '18	1. UPDATED NOTES 2. ADD DETAIL A & PIN ASSIGNMEN 3. ADD PROFILE OF WAVE SOLDER
01	Sep. 08, '15	1st RELEASE



- NOTES:
1. MATERIAL:
HOUSING: HIGH THERMOPLASTIC, UL94V-0, BLACK
CONTACTS: T=0.35mm PHOS-BRONZE,
6 μ " GOLD PLATING ON CONTACT AREA,
NICKEL UNDERPLATING OVERALL
SHIELD: T=0.25mm COPPER ALLOY, NICKEL PLATING
 2. OPERATING TEMPERATURE: -40°C~+85°C
 3. INSERTION FORCE: 4 POUNDS MAX.
EXTRACTION FORCE: 4 POUNDS MAX.
 4. DURABILITY: 750 MATING CYCLED MIN.
 5. CAVITY CONFORMS TO FCC RULES AND REGULATIONS PART 68,
SUBPART F.
 6. UNSPECIFIED TOLERANCE: .XX \pm 0.25[0.010]
.X \pm 0.30[0.012]

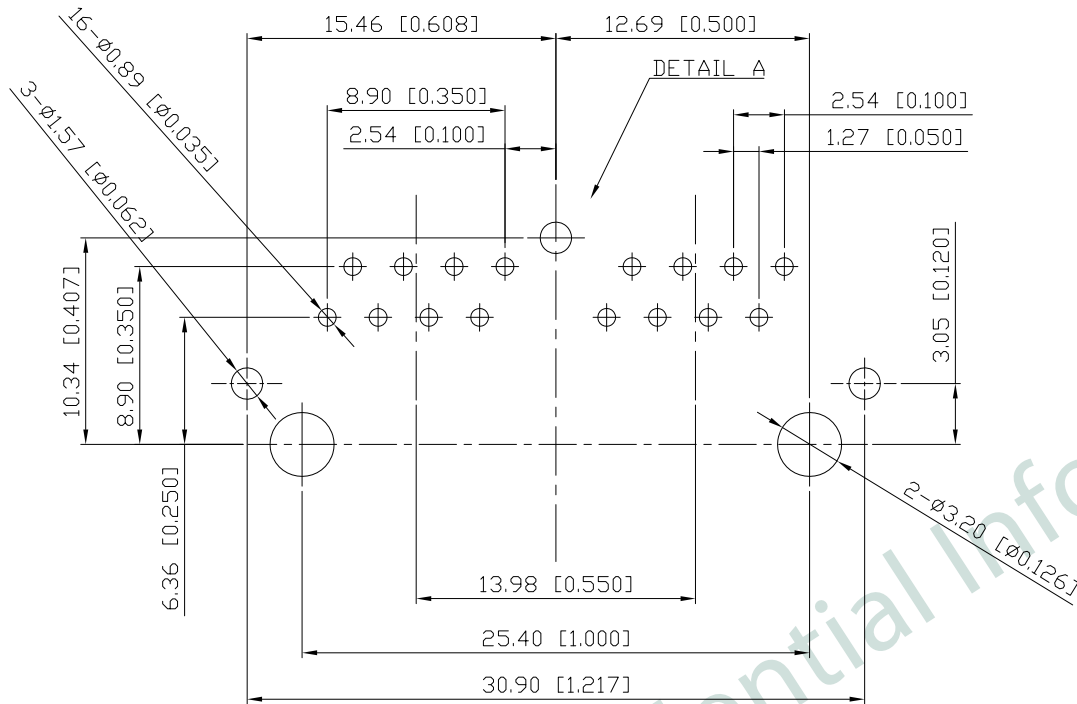
RECOMMENDED PLUG DIMENSION:



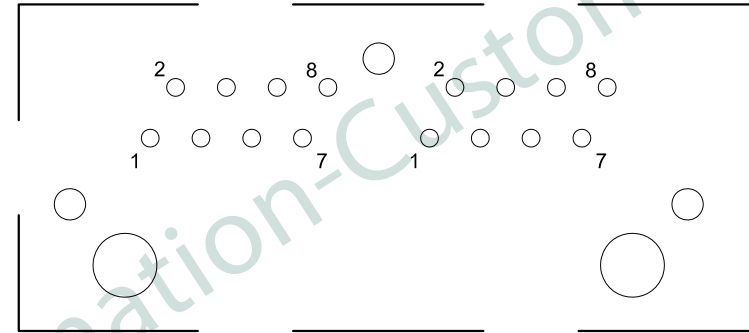
RECOMMENDED
PANEL CUTOUT DIMENSION

PART NO		KRF-02P-0-D31-0A0		
TITLE	RJ45 1X2 8P8C, W/ 10/100 TRANSFORMER, W/O LED, SHIELDED			
REV : 02				
UNIT	DRAWN	CHKD	DATE	SHEET
mm[inch]	CINDY	DANIEL	Jan. 03, '18	1 of 4

2. PCB LAYOUT :



SUGGESTED PCB LAYOUT
(TOP VIEW) SCALE 2:1
DIMENSIONAL TOLERANCE: .XX ±0.08[0.003]



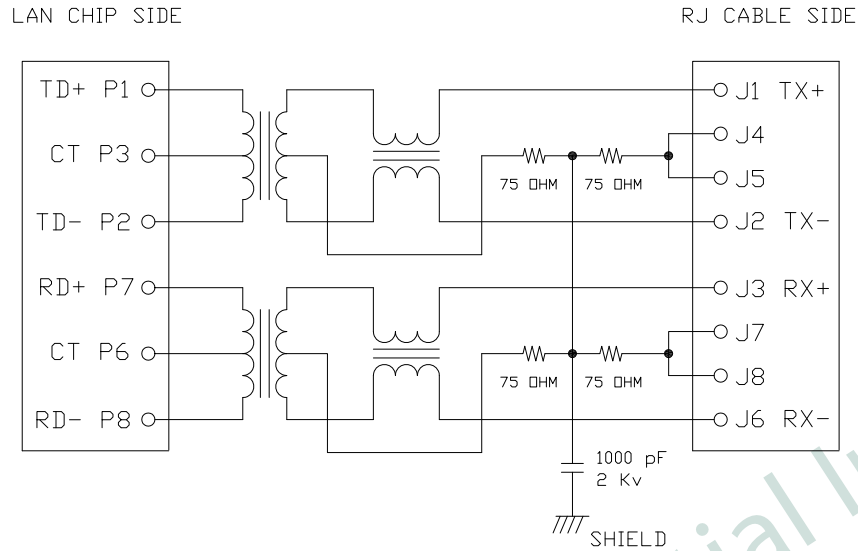
DETAIL A $\triangle 02$



P#	DEFINITION
P1	TD+
P2	TD-
P3	CT
P4	-
P5	-
P6	CT
P7	RD+
P8	RD-

PART NO KRF-02P-0-D31-0A0	
TITLE	RJ45 1X2 8P8C, W/ 10/100 TRANSFORMER, W/O LED, SHIELDED
REV : 02	
UNIT	DRAWN CINDY
	CHKD DANIEL
	DATE Jan. 03, '18
	SHEET 2 of 4

3. SCHEMATIC:



4. ELECTRICAL CHARACTERISTICS :

TEST NOTES:(25±5°C)

1. TR:
INPUT TO OUTPUT=1:1±3%
2. LX:(100KHz,100mV,8mA, DC Bias)
350uH MINIMUM
3. DCR:
EVERY RJ PAIR=1.2 Ω MAXIMUM
4. HIPOT:
INPUT(RJ SIDE) TO OUTPUT(LAN SIDE):
1500 VAC/60SEC
5. INSERTION LOSS:
-1.0dB MAXIMUM AT 0.3MHz TO 100MHz
6. RETURN LOSS:
-20dB MINIMUM AT 1MHz TO 30MHz
-15dB MINIMUM AT 30MHz TO 60MHz
-10dB MINIMUM AT 60MHz TO 80MHz
7. CROSS TALK:
-30dB MINIMUM AT 1MHz TO 100MHz
8. COMMON TO COMMON MODE REJECTION:
-30dB MINIMUM AT 1MHz TO 100MHz

KRF-02P-0-D31-0A0

PRODUCT SERIES
KRF: LATCH DOWN WITHOUT LED

NUMBER OF PORT
MECHANICAL TYPE
02P: 2 PORT FOR KRF

LED COLOR OPTION

CIRCUIT TYPE

SPECIAL CODE
0: STANDARD

SHIELDED TYPE
A: 2 PORTS W/1 PEG, Y=3.05mm
EMI FINGER ON ALL SIDE

LED POLARITY
0: W/O LED



PART NO		KRF-02P-0-D31-0A0		
TITLE	RJ45 1X2 8P8C, W/ 10/100 TRANSFORMER, W/O LED, SHIELDED			
REV : 02				
UNIT	DRAWN	CHKD	DATE	SHEET
mm[inch]	CINDY	DANIEL	Jan. 03, '18	3 of 4

DWG NO KRF-02P-0-D31-0A0

KinnexA, INC. 8F, No. 172, CHENG TEH ROAD SEC. 4, TAIPEI 11167, TAIWAN

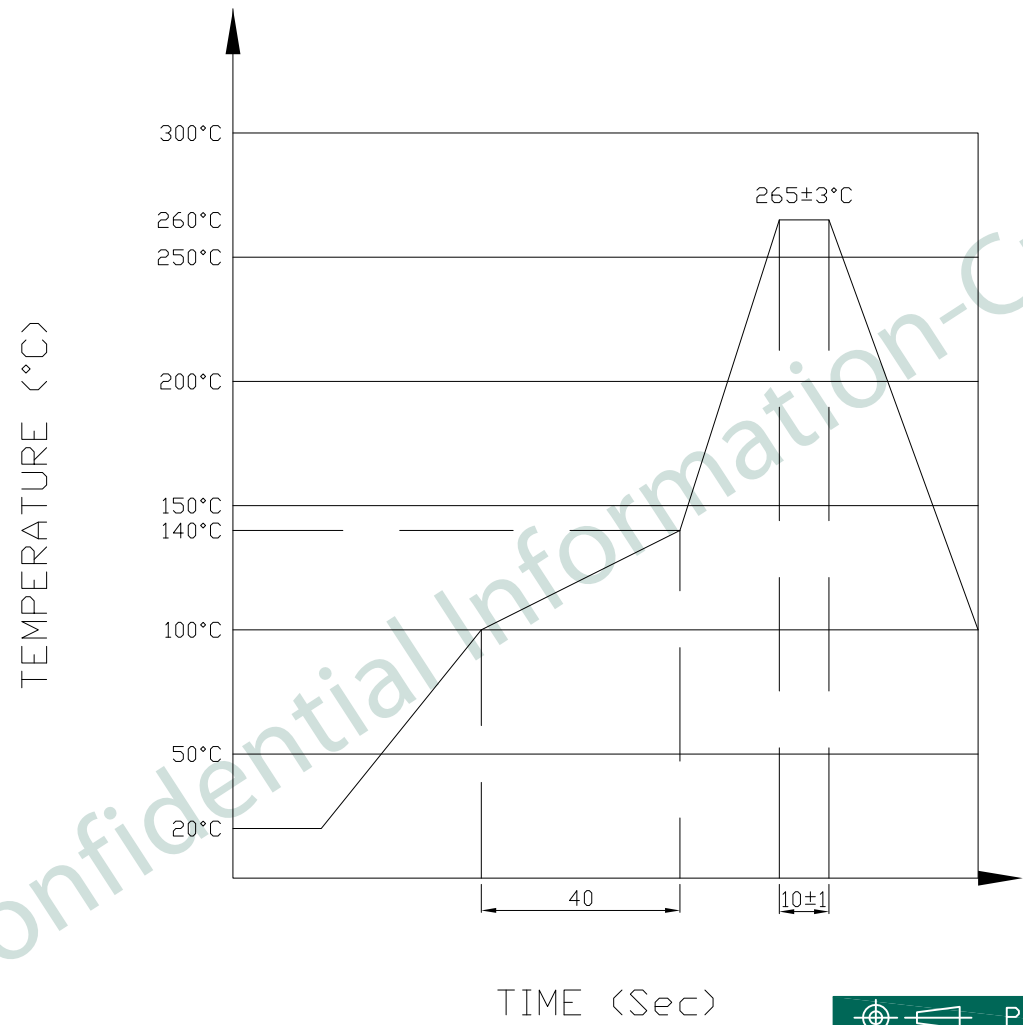
Connected by **KinnexA**

PRELIMINARY RELEASE SUBJECT TO CHANGE


※ THIS DRAWING IS A CONTROLLED DOCUMENT ※

RoHS Compliant

5. PROFILE OF WAVE SOLDER : 



The measuring point for the specified temperature shall be on the soldered part of the lead

 PART NO		KRF-02P-0-D31-0A0		
TITLE		RJ45 1X2 8P8C, W/ 10/100 TRANSFORMER, W/O LED, SHIELDED		
REV : 02				
UNIT	DRAWN	CHKD	DATE	SHEET
mm[inch]	CINDY	DANIEL	Jan. 03, '18	4 of 4