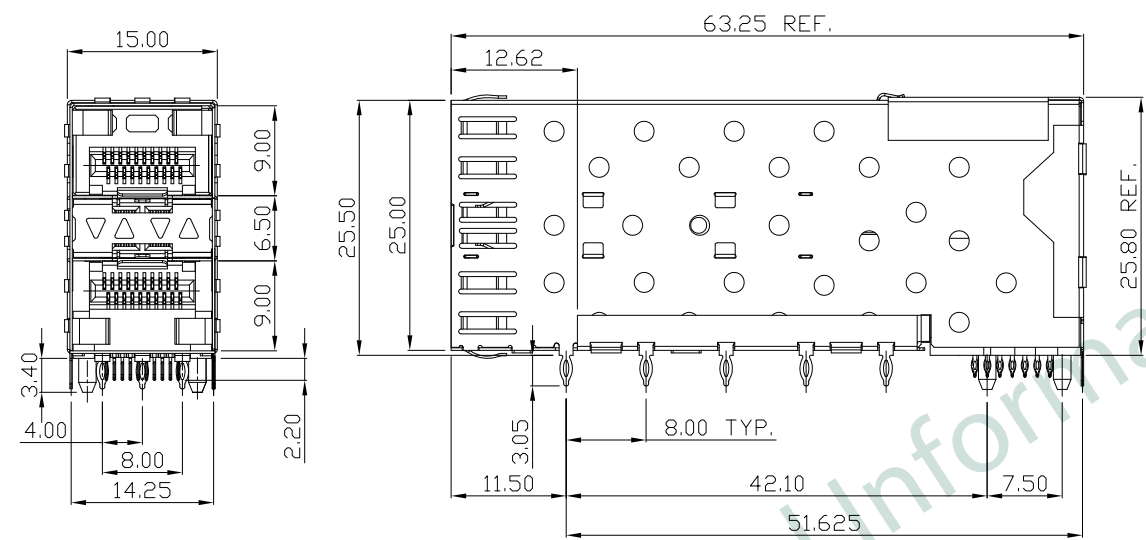


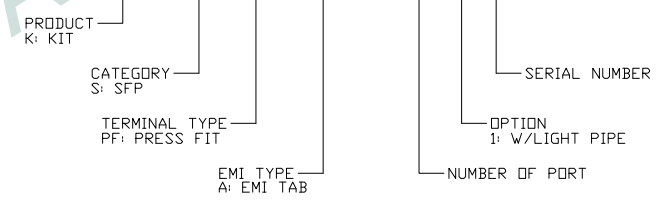
REV.	DATE	DESCRIPTION
01	Jul. 05, '18	1st RELEASE

- NOTES:
- MATERIAL:
 CAGE: T=0.25mm COPPER ALLOY
 CONNECTOR HOUSING: GLASS FILLED THERMOPLASTIC, UL94V-0, COLOR-BLACK
 TERMINALS: PHOSPHOR BRONZE
 - FINISH:
 TERMINALS CONTACT AREA: PLATED-GOLD
 SOLDER TERMINAL AREA: PLATED-TIN
 - UNSPECIFIED TOLERANCE: .XXX ±0.05
 .XX ±0.15
 .X ±0.25

RoHS Compliant



KSFP-K-SPFA-2113



PART NO		KSFP-K-SPFA-2113		
TITLE	SFP 2X1 CAGE + CONNECTOR, EMI TAB, W/LIGHT PIPE, PRESS FIT TYPE			
REV : 01				
UNIT	DRAWN	CHKD	DATE	SHEET
mm[inch]	CINDY	VINCENT	Jul. 05, '18	1 of 3

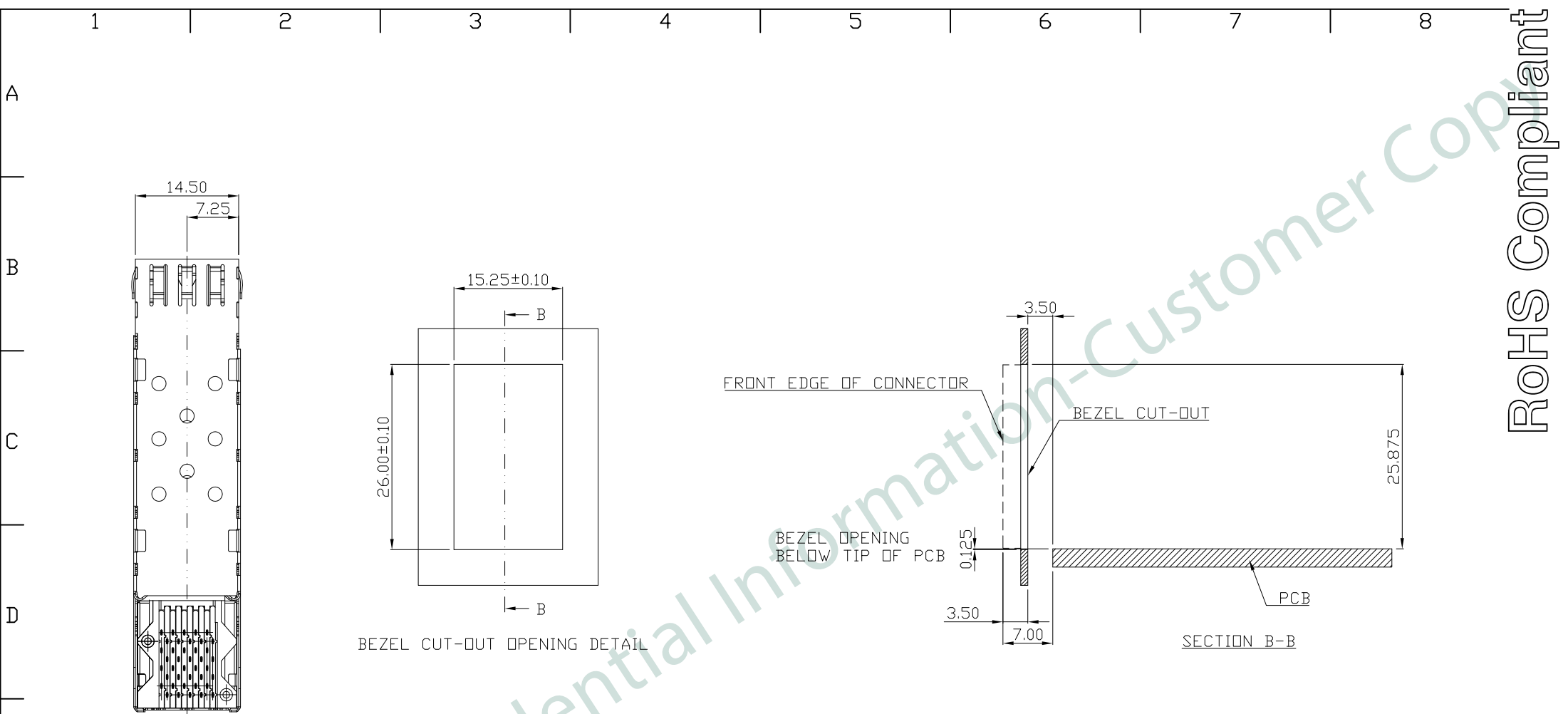
DWG NO KSFP-K-SPFA-2113

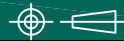
KinnexA, INC. 8F, No. 172, CHENG TEH ROAD SEC. 4, TAIPEI 11167, TAIWAN

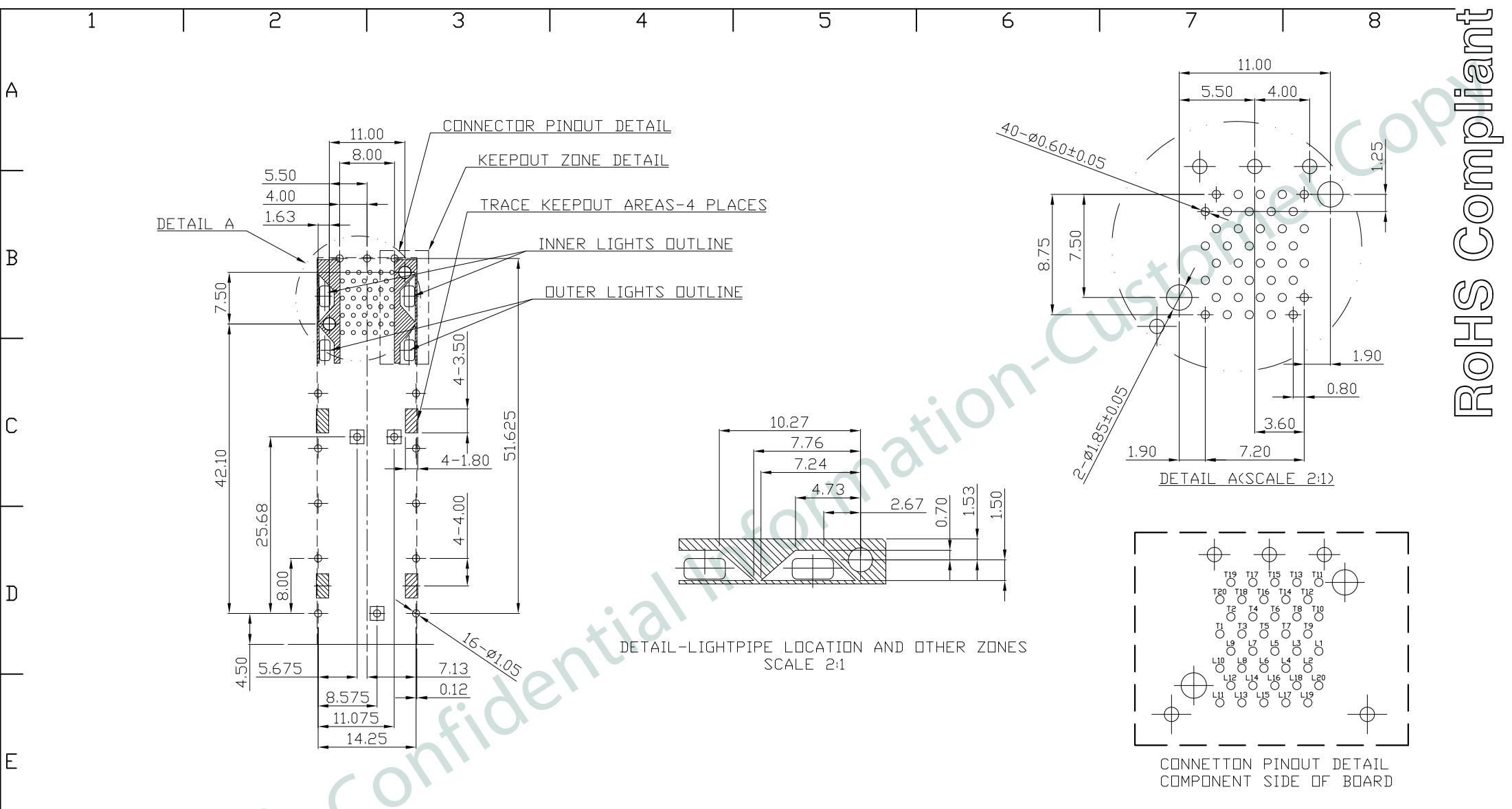


PRELIMINARY RELEASE SUBJECT TO CHANGE

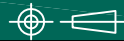
※ THIS DRAWING IS A CONTROLLED DOCUMENT ※



 PART NO		KSFP-K-SPFA-2113		
TITLE	SFP 2X1 CAGE + CONNECTOR, EMI TAB, W/LIGHT PIPE, PRESS FIT TYPE			
REV : 01				
UNIT	DRAWN	CHKD	DATE	SHEET
mm[inch]	CINDY	VINCENT	Jul. 05, '18	2 of 3



NOTES:
 1. RECOMMENDED PCB LAYOUT (COMPONENT SIDE)
 PCB TOLERANCE ±0.05

 PART NO		KSFP-K-SPFA-2113		
TITLE		SFP 2X1 CAGE + CONNECTOR, EMI TAB, W/LIGHT PIPE, PRESS FIT TYPE		
REV : 01				
UNIT	DRAWN	CHKD	DATE	SHEET
mm[inch]	CINDY	VINCENT	Jul. 05, '18	3 of 3