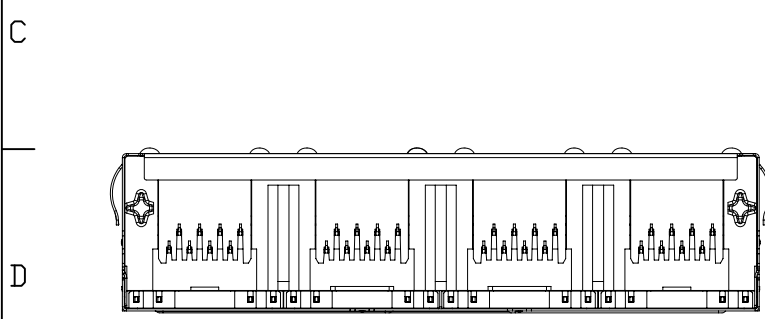
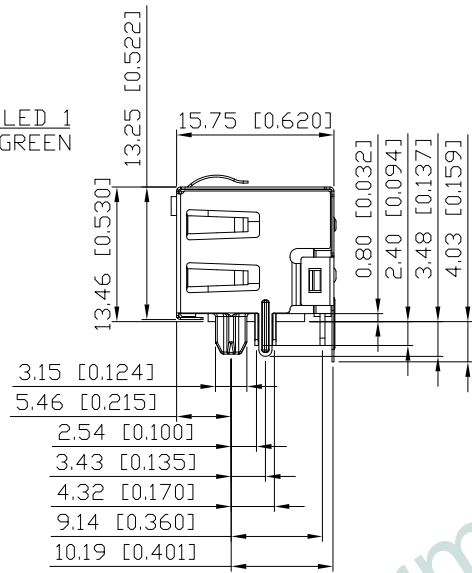
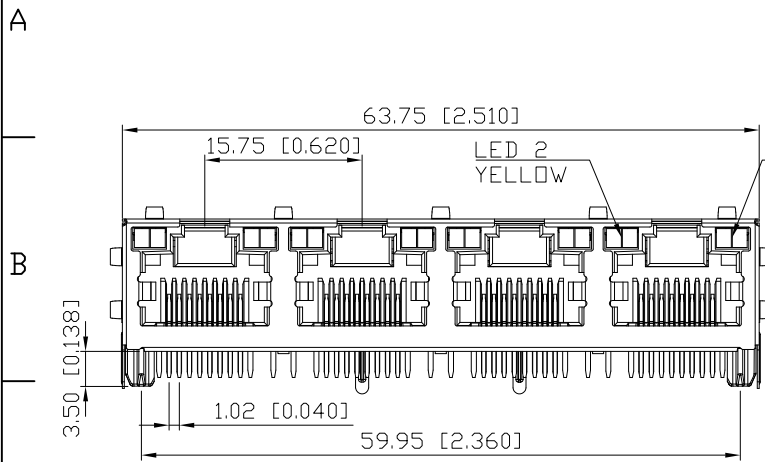
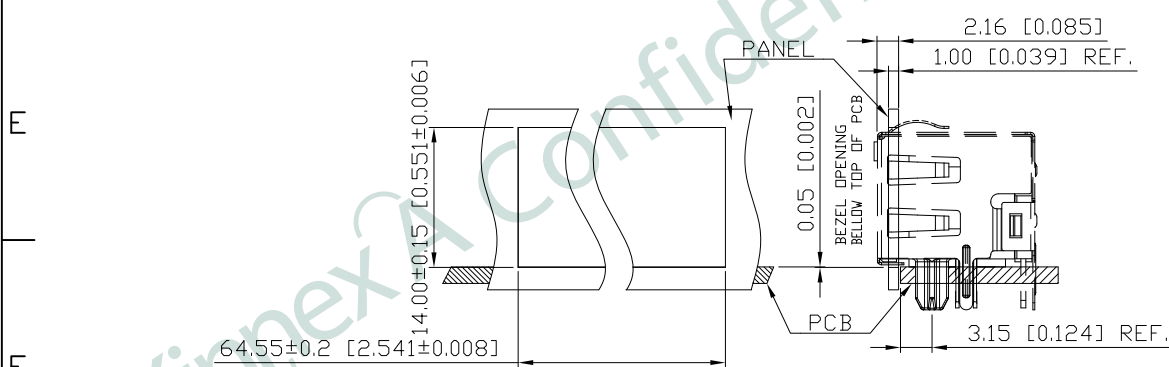


1. MECHANICAL DIMENSIONS :

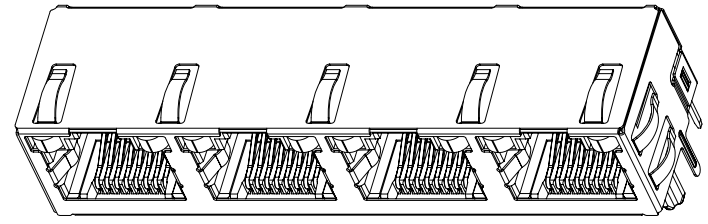
REV.	DATE	DESCRIPTION
01	Dec. 14, '17	1st RELEASE



- NOTES:
- MATERIAL:
HOUSING: HIGH THERMOPLASTIC, UL94V-0, BLACK
CONTACTS: T=0.35mm PHOS-BRONZE,
GOLD FLASH PLATING ON CONTACT AREA,
TIN PLATING ON SOLDER AREA
SHIELD: T=0.20mm COPPER ALLOY, NICKEL PLATING
 - OPERATING TEMPERATURE: -40°C~+85°C
 - INSERTION FORCE: 4 POUNDS MAX.
EXTRACTION FORCE: 4 POUNDS MAX.
 - DURABILITY: 750 MATING CYCLED MIN.
 - CAVITY CONFORMS TO FCC RULES AND REGULATIONS PART 68,
SUBPART F.
 - UNSPECIFIED TOLERANCE: .XX ±0.25[0.010]
.X ±0.30[0.012]



RECOMMENDED
PANEL CUTOUT DIMENSION



PART NO KRM-S-04-8-8-1-1G5				
TITLE	RJ45 1X4 8P8C, W/LED, SHIELDED			
REV : 01				
UNIT	DRAWN	CHKD	DATE	SHEET
mm[inch]	CINDY	DANIEL	Dec. 14, '17	1 of 3

ROHS Compliant

2. PCB LAYOUT :

A

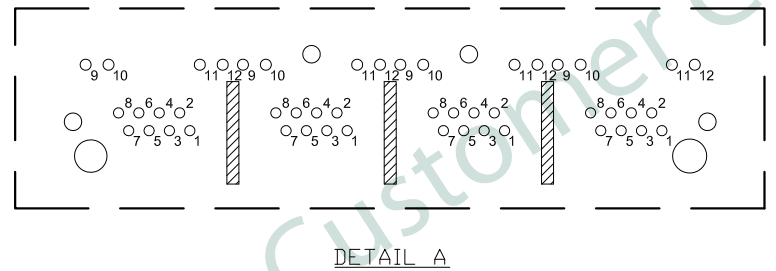
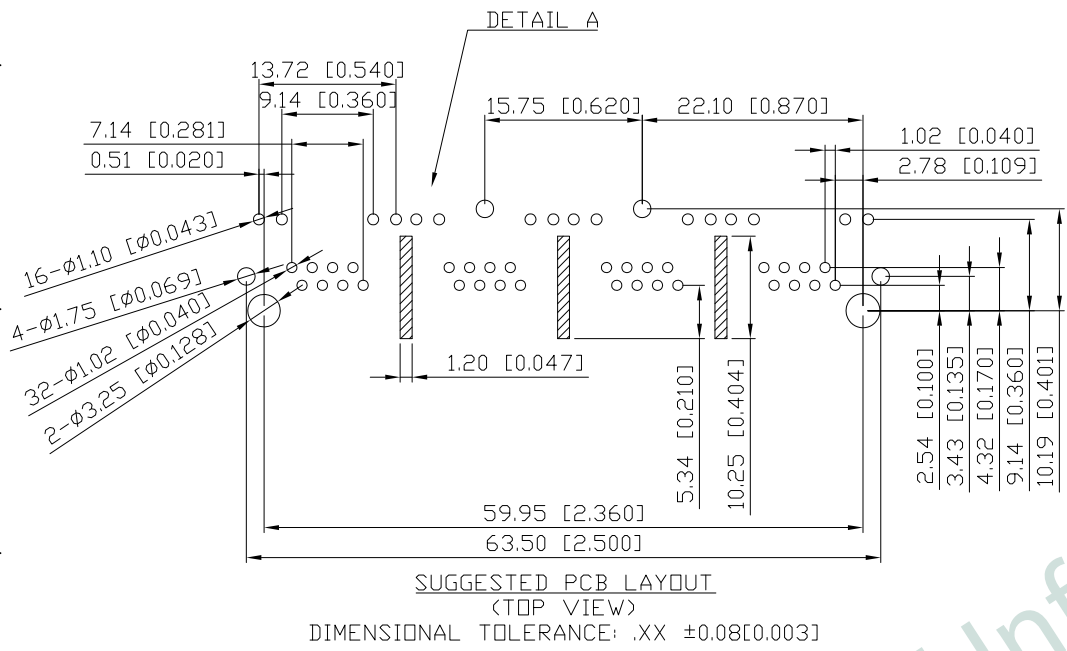
B

C

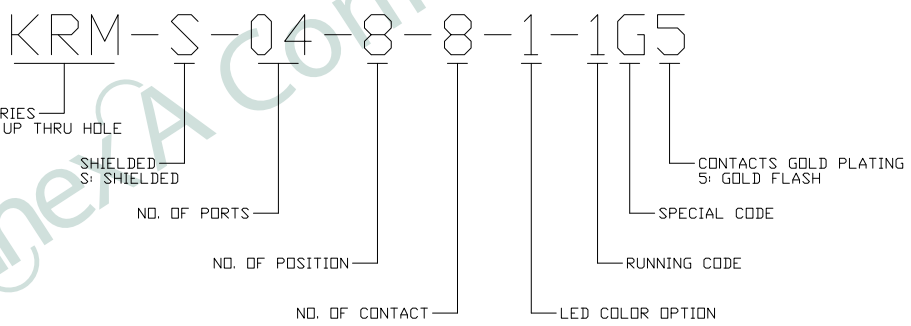
D

E

F

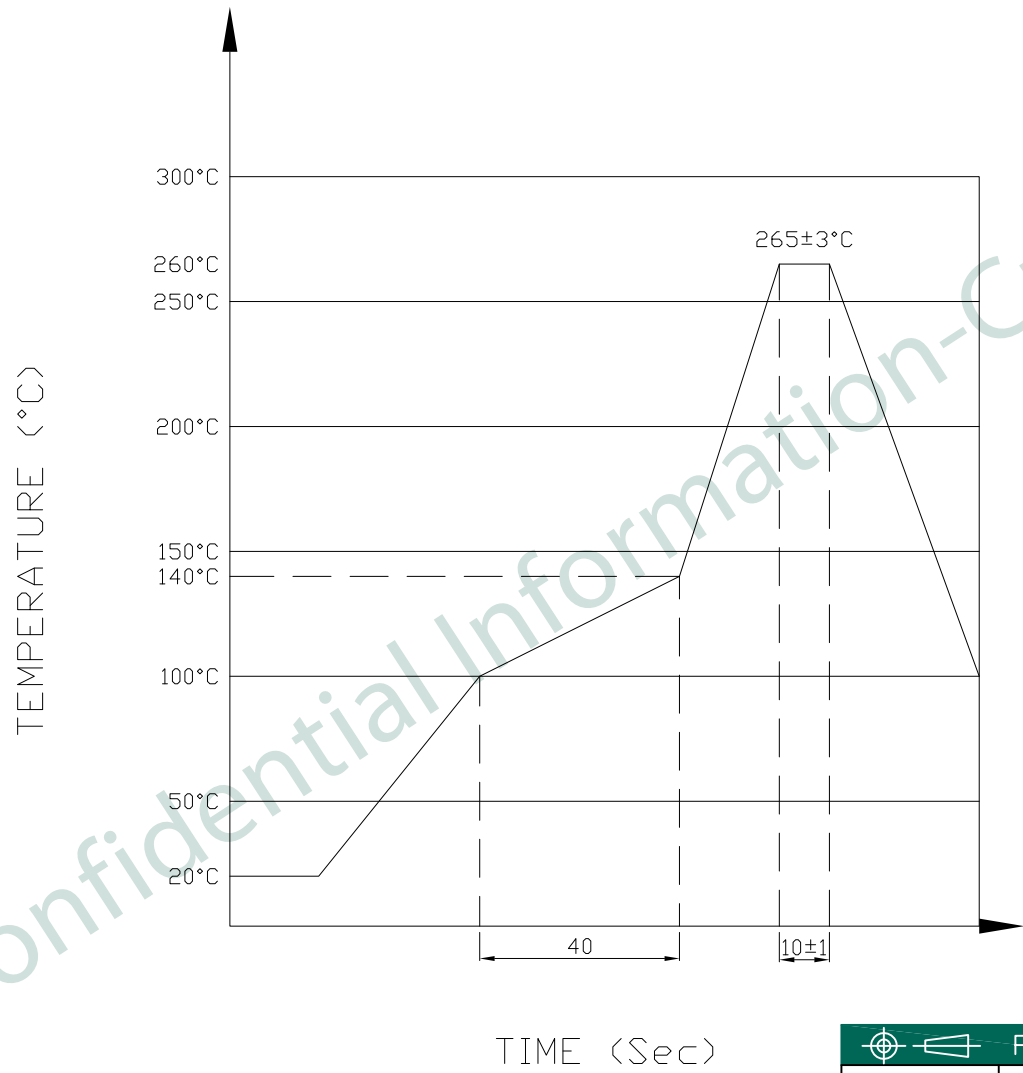


COLOR	VF(V) @20mA		IV(mcd) @20mA	IF(mA)	PEAK WAVE LENGTH λP(nm) @20mA
	TYP	MAX	TYP	TYP	TYP
YELLOW	2.2	2.6	15	20	588
GREEN	2.2	2.6	10	20	570



PART NO KRM-S-04-8-8-1-1G5				
TITLE	RJ45 1X4 8P8C, W/LED, SHIELDED			
REV : 01				
UNIT	DRAWN	CHKD	DATE	SHEET
mm[inch]	CINDY	DANIEL	Dec. 14, '17	2 of 3

3. PROFILE OF WAVE SOLDER :



The measuring point for the specified temperature shall be on the soldered part of the lead

PART NO KRM-S-04-8-8-1-1G5				
TITLE	RJ45 1X4 8P8C, W/LED, SHIELDED			
REV : 01				
UNIT	DRAWN	CHKD	DATE	SHEET
mm[inch]	CINDY	DANIEL	Dec. 14, '17	3 of 3